


SAC-5P-MR/ 1,5-PUR/FS SCO

Order No.: 1519105



Sensor/Actuator cable, 5-position, PUR halogen-free, Black-gray RAL 7021, Plug, angledLink:M12-SPEEDCON, A-coded, on Socket, straight M12-SPEEDCON, A-coded, Cable length: 1.5 m



Commercial data	
EAN	4  017918 961480
Note	Made-to-order
Pack	1
Customs tariff	85445190
Country of Origin	PL
Catalog page information	Page 136 (PC-2011)

Product notes

WEEE/RoHS-compliant since:
02/03/2006



Please note that the data given here has been taken from the online catalog. For comprehensive information and data, please refer to the user documentation at <http://www.download.phoenixcontact.com>. The General Terms and Conditions of Use apply to Internet downloads.

Technical data

General data

Rated current at 40°C	4 A
Rated voltage	60 V
Number of positions	5
Volume resistance	≤ 5 mΩ
Insulation resistance	≥ 100 MΩ

Length of cable	1.5 m
Ambient temperature (operation)	-25 °C ... 90 °C (Male connector / female connector)

General characteristics

Standards/regulations	M12 connector IEC 61076-2-101
Coding	A - standard
Surge voltage category	II
Pollution degree	3
Degree of protection	IP65/IP68/IP69K
Torque	0.4 Nm (M12 connector)
Contact material	CuSn
Contact surface material	Ni/Au
Contact carrier material	TPU GF
Material of grip body	TPU, hardly inflammable, self-extinguishing
Material, knurls	Zinc die-cast, nickel-plated
Sealing material	NBR
Status display	No

Conductor data

Cable type	PUR halogen-free black
Cable type (abbreviation)	PUR
UL AWM Style	20549
Conductor cross section	5x 0.34 mm ² (signal line)
AWG signal line	22
Conductor structure signal line	42x 0.10 mm
Core diameter including insulation	1.27 mm ±0.02 mm
Thickness, insulation	Approx. 0.7 mm
External cable diameter	5 mm ±0.15 mm
Wire colors	Black, brown, blue, white, green/yellow
External sheath, color	Black-gray RAL 7021
Insulation resistance	≥ 16 GΩ*km (at 20°C)
Conductor resistance	max. 58 Ω/km (at 20°C)
Nominal voltage, conductor	300 V
Test voltage, conductor	3000 V
Outer sheath, material	PUR
Conductor material	Bare Cu litz wires

Cable weight	35 kg/km
Smallest bending radius, fixed installation	25 mm
Smallest bending radius, movable installation	50 mm
Number of bending cycles	4000000
Bending radius	50 mm
Traversing path	10 m
Traversing rate	3 m/s
Acceleration	10 m/s ²
Ambient temperature (operation)	-40 °C ... 80 °C (cable, fixed installation) -25 °C ... 80 °C (cable, flexible installation)
Special properties	Flexible cable conduit capable Silicone-free Free of substances which would hinder coating with paint or varnish Flexible
Flame resistance	in accordance with DIN UL-Style 20549
Halogen-free	in accordance with DIN VDE 0472 part 815
Resistance to oil	in accordance with DIN EN 60811-2-1
Other resistance	Highly resistant to acids, alkaline solutions and solvents hydrolysis and microbe resistant Resistant to salt water partly UV-resistant in accordance with DIN EN ISO 4892-2-A

Certificates



Certification

CUL Listed, UL Listed

Accessories

Item	Designation	Description
General		
1013944	PABA RD/15	Marker bar, unprinted: with 20 snap-off marker labels, lettering field 4 mm high, 15 mm wide, color: red

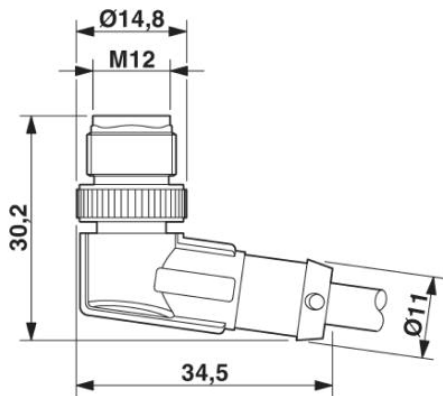
1013151	PABA WH/15	Marker bar, unprinted: With 20 snap-off marker labels, lettering field 4 mm high, 15 mm wide, color: White
1013698	PABA YE/15	Marker bar, unprinted: with 20 snap-off marker labels, lettering field 4 mm high, 15 mm wide, color: yellow
1013122	PATO 2/15	Conductor marker carrier, open, 15 mm wide, conductor diameter 2.8 - 5.0 mm
1013135	PATO 3/15	Conductor marker carrier, open, 15 mm wide, conductor diameter 5.0 - 8.0 mm
1013148	PATO 4/15	Conductor marker carrier, open, 15 mm wide, conductor diameter 8.0 - 10.0 mm

Marking

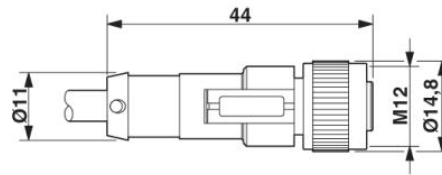
1051993	B-STIFT	Marker pen, for manual labeling of unprinted Zack strips, smear-proof and waterproof, line thickness 0.5 mm
---------	---------	---

Drawings

Dimensioned drawing

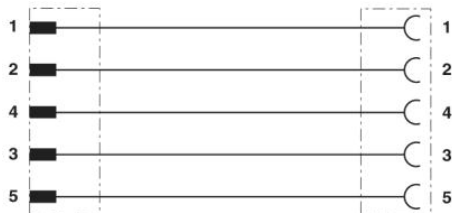


M12 x 1 male connector, angled



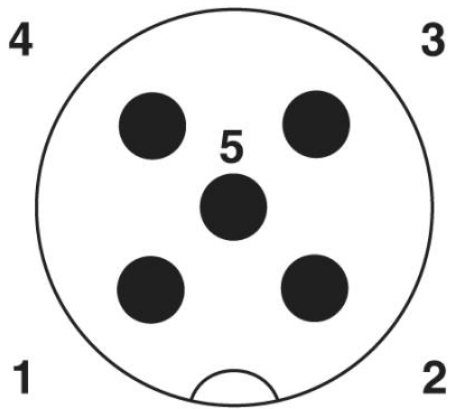
M12 x 1 female connector, straight

Circuit diagram

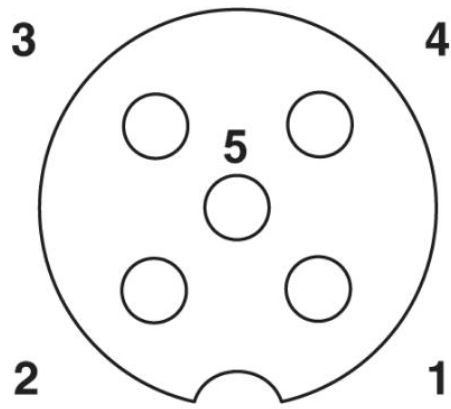


Contact assignment of the M12 plug and the M12 socket

Schematic diagram



Pin assignment M12 male connector, 5-pos., A-coded, male side



Pin assignment M12 socket, 5-pos., B-coded, view socket side
