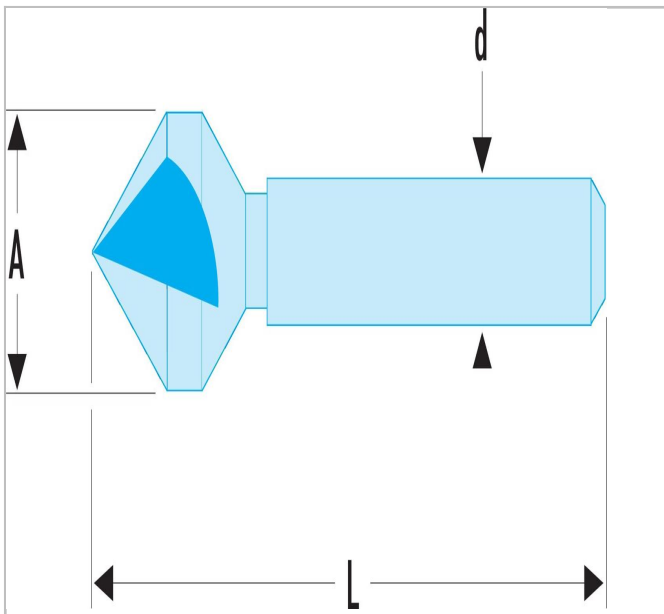



229.TT - 90° cone bits



Description:

- 3 HSS cutting edges for countersunk screw holes.
- Requires a pilot hole with a cylindrical bit ref 222A.T.



	A [mm]	Diameter [mm]	Length L [mm]	Weight [g]
229.TT2	10.4	6.0	50.0	10.0
229.TT3	16.5	10.0	60.0	30.0
229.TT4	20.5	10.0	63.0	50.0
229.TT5	25.0	10.0	67.0	70.0