

10 9 8 7 6 5 4 3 2 1

NOTES :

1. MATERIAL :
 HOUSING : (a) HIGH TEMP. NYLON ,GLASS FIBER FILLED,UL94V-0, COLOR: BLACK,
 (b) POLYESTER , GLASS FIBER FILLED,UL94V-0, COLOR: WHITE,
 TERMINAL : PHOSPHOR BRONZE
 METAL SHELL : COPPER ALLOY

2. PLATING :
 TERMINAL :
 CONTACT AREA : (a) GOLD FLASH.
 (b) GLOD (Au), THICKNESS = 30 MICROINCH MINIMUM.
 /0.76 MICROMETER MINIMUM.

SOLDER TAIL :
 PURE TIN(Sn) THICKNESS= 75 MICROINCH MINIMUM .
 /1.9 MICROMETER MINIMUM.

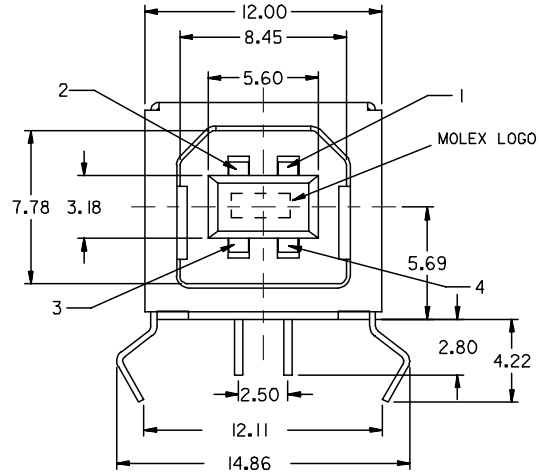
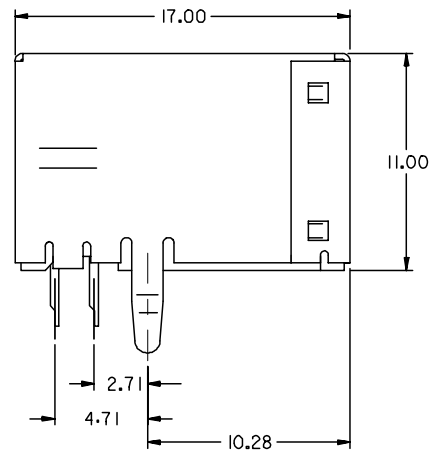
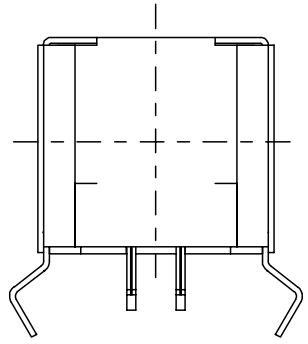
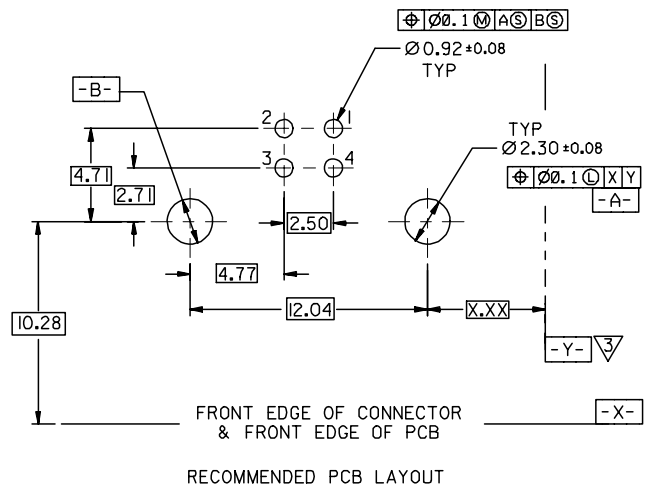
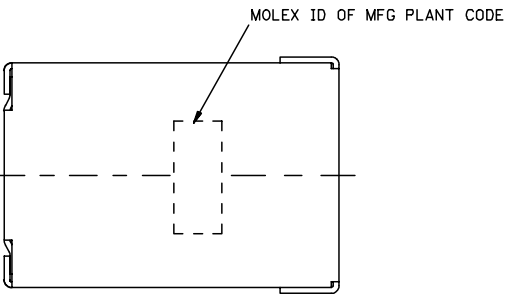
UNDER PLATE : NICKEL (Ni), THICKNESS= 50 MICROINCH MINIMUM.
 /1.27 MICROMETER MINIMUM.

METAL SHELL :
 PURE TIN(Sn) , THICKNESS= 50 MICROINCH MINIMUM.
 /1.27 MICROMETER MINIMUM.

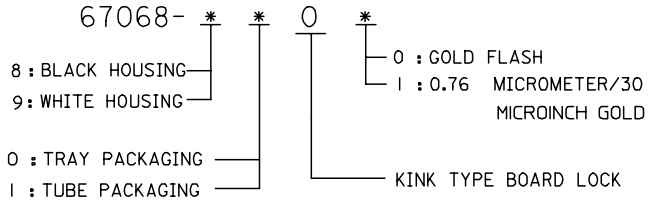
UNDER PLATE : NICKEL (Ni) , THICKNESS= 50 MICROINCH MINIMUM.
 /1.27 MICROMETER MINIMUM.

▽ DATUM AND BASIC DIMENSIONS ESTABLISHED BY CUSTOMER
 RECOMMENDED PCB THICKNESS : 1.60±0.05

4 PRODUCT SPECIFICATION : REFER TO PS-67998-0000



PART NUMBER LEGEND:



NEW RELEASE	DESCRIPTION
EC NO: SH2005-0142	2004/11/25
DRWN: DAVID HU	2004/11/25
CHKD: HARVEY	2004/11/25
APPR: TYAP	2004/11/25
A	REV

QUALITY SYMBOLS
▽=0
▽C=0

GENERAL TOLERANCES (UNLESS SPECIFIED)
4 PLACES ± --- ± ---
3 PLACES ± --- ± ---
2 PLACES ± 0.25 ± ---
1 PLACE ± 0.25 ± ---
ANGULAR ± 3 °
DRAFT WHERE APPLICABLE MUST REMAIN WITHIN DIMENSIONS

DIMENSION STYLE	SCALE	DESIGN UNITS
MM ONLY	4:1	METRIC
DRAWN BY	DATE	TITLE
DAVID HU	2004/11/05	USB B TYPE CONNECTOR
CHECKED BY	DATE	KINK TYPE BOARD LOCK
HARVEY	2004/11/05	(LEAD-FREE)
APPROVED BY	DATE	
MATERIAL NO.	DOCUMENT NO.	SHEET NO.
	SD-67068-003	1 OF 4

THIRD ANGLE PROJECTION
MOLEX INCORPORATED
SEE NOTES
THIS DRAWING CONTAINS INFORMATION THAT IS PROPRIETARY TO MOLEX INCORPORATED AND SHOULD NOT BE USED WITHOUT WRITTEN PERMISSION

9 8 7 6 5 4 3 2 1

10 9 8 7 6 5 4 3 2 1

NOTES :

1. MATERIAL :
 HOUSING : (a) HIGH TEMP. NYLON, GLASS FIBER FILLED, UL94V-0, COLOR: BLACK,
 (b) POLYESTER, GLASS FIBER FILLED, UL94V-0, COLOR: WHITE,
 TERMINAL : PHOSPHOR BRONZE
 METAL SHELL : COPPER ALLOY

2. PLATING :
 TERMINAL :
 CONTACT AREA : (a) GOLD FLASH.
 (b) GLOD (Au), THICKNESS = 30 MICROINCH MINIMUM.
 /0.76 MICROMETER MINIMUM.

SOLDER TAIL :
 PURE TIN(Sn) THICKNESS= 75 MICROINCH MINIMUM .
 /1.9 MICROMETER MINIMUM.

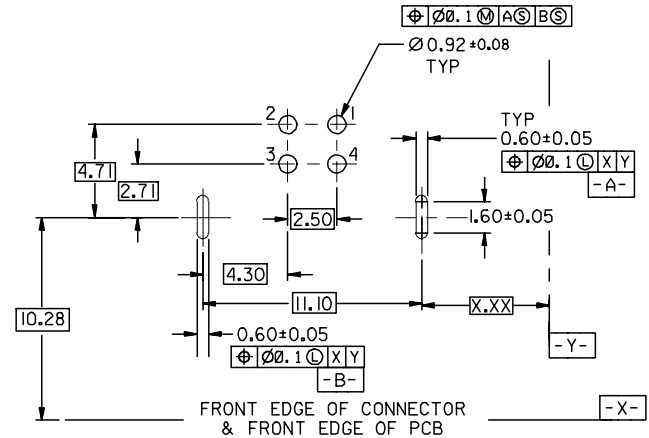
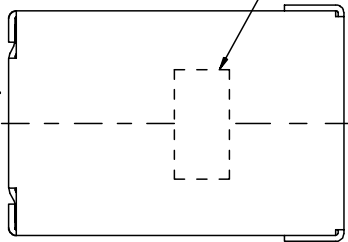
UNDER PLATE : NICKEL (Ni), THICKNESS= 50 MICROINCH MINIMUM.
 /1.27 MICROMETER MINIMUM.

METAL SHELL :
 PURE TIN(Sn) THICKNESS= 50 MICROINCH MINIMUM.
 /1.27 MICROMETER MINIMUM.

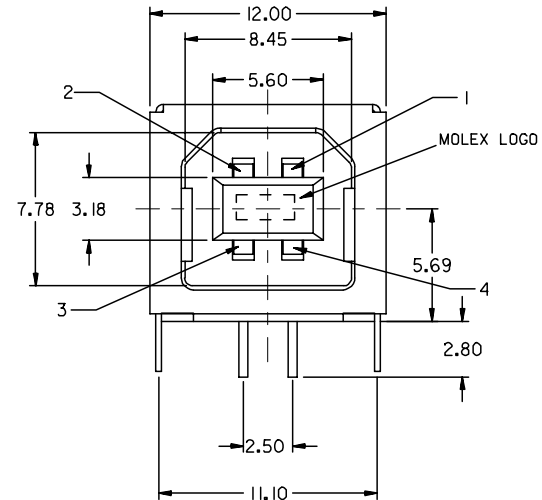
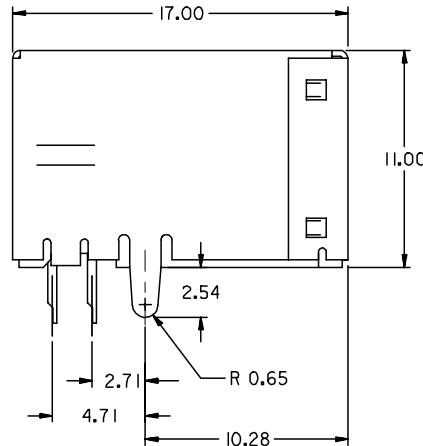
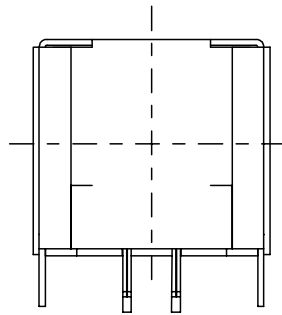
UNDER PLATE : NICKEL (Ni), THICKNESS= 50 MICROINCH MINIMUM.
 /1.27 MICROMETER MINIMUM.

3 DATUM AND BASIC DIMENSIONS ESTABLISHED BY CUSTOMER
 RECOMMENDED PCB THICKNESS : 1.60±0.05
 4 PRODUCT SPECIFICATION ; REFER TO PS-67998-0000

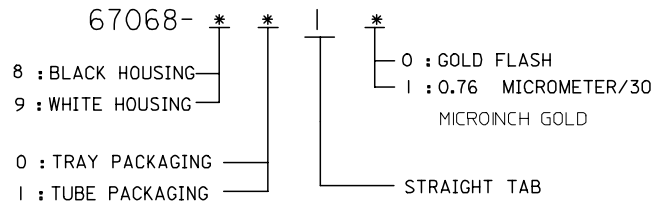
MOLEX ID OF MFG PLANT CODE



RECOMMENDED PCB LAYOUT



PART NUMBER LEGEND:



NEW RELEASE EC NO: SH2005-0142 DRWN: DAVID HU 2004/11/5 CHKD: HARVEY 2004/11/25 APPR: TYAP 2004/11/25	QUALITY SYMBOLS	GENERAL TOLERANCES (UNLESS SPECIFIED)	DIMENSION STYLE MM ONLY	SCALE 4:1	DESIGN UNITS METRIC	THIRD ANGLE PROJECTION
	▽=0 ∇=0	4 PLACES ± --- ± --- 3 PLACES ± --- ± --- 2 PLACES ± 0.25 ± --- 2004/11/05 1 PLACE ± 0.25 ± ---	mm INCH	DRAWN BY DAVID HU	DATE 2004/11/05	TITLE USB B TYPE CONNECTOR WITH STRAIGHT TAB (LEAD-FREE)
		ANGULAR ± 3 °	APPROVED BY DATE	MOLEX INCORPORATED		SHEET NO. 2
		DRAFT WHERE APPLICABLE MUST REMAIN WITHIN DIMENSIONS	SEE NOTES	MATERIAL NO.	DOCUMENT NO. SD-67068-003	

9 8 7 6 5 4 3 2 1

8 7 6 5 4 3 2 1

NOTES :
 1. MATERIAL :
 HOUSING : (a) HIGH TEMP. NYLON, GLASS FIBER FILLED, UL94V-0, COLOR: BLACK,

TERMINAL : PHOSPHOR BRONZE
 METAL SHELL : COPPER ALLOY

2. PLATING :
 TERMINAL :
 CONTACT AREA : (a) GOLD FLASH.
 (b) GL0D (Au), THICKNESS = 30 MICROINCH MINIMUM.
 /0.76 MICROMETER MINIMUM.

SOLDER TAIL :
 PURE TIN(Sn) THICKNESS= 75 MICROINCH MINIMUM .
 /1.9 MICROMETER MINIMUM.

UNDER PLATE : NICKEL (Ni), THICKNESS= 50 MICROINCH MINIMUM.
 /1.27 MICROMETER MINIMUM.

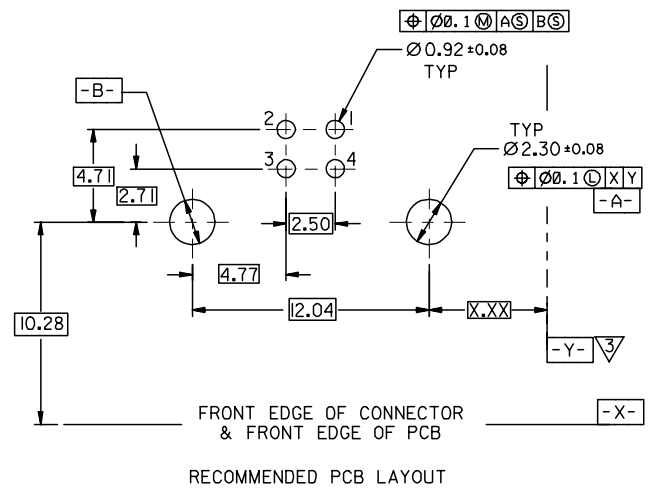
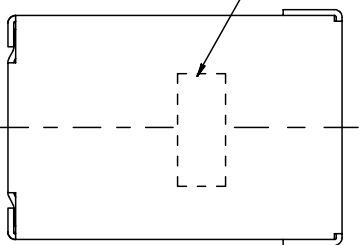
METAL SHELL :
 PURE TIN(SN), THICKNESS= 50 MICROINCH MINIMUM.
 /1.27 MICROMETER MINIMUM.

UNDER PLATE : NICKEL (Ni), THICKNESS= 50 MICROINCH MINIMUM.
 /1.27 MICROMETER MINIMUM.

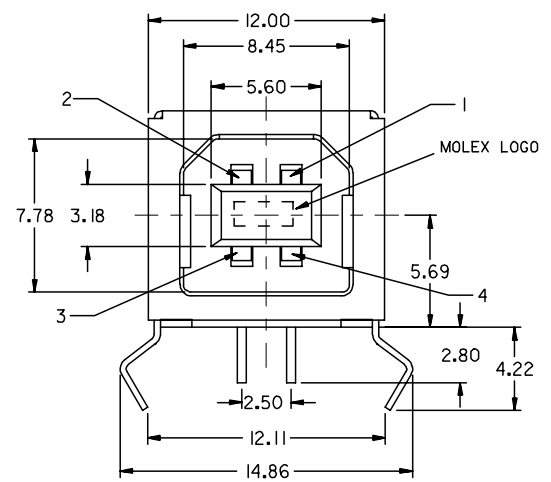
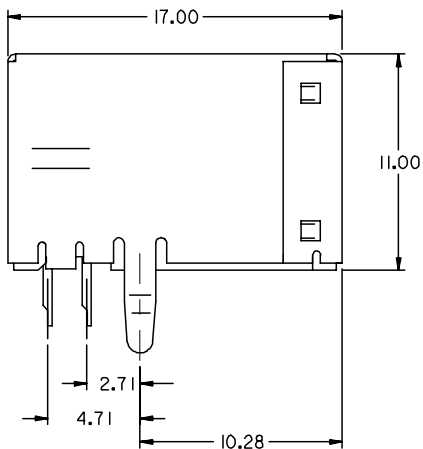
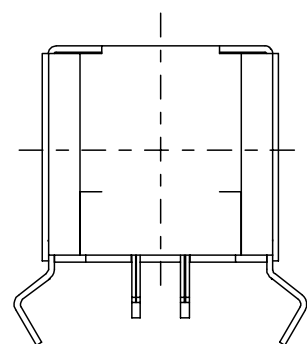
▽ DATUM AND BASIC DIMENSIONS ESTABLISHED BY CUSTOMER
 RECOMMENDED PCB THICKNESS : 1.60±0.05

4 PRODUCT SPECIFICATION : REFER TO PS-67998-0000

MOLEX ID OF MFG PLANT CODE



FRONT EDGE OF CONNECTOR
 & FRONT EDGE OF PCB
 RECOMMENDED PCB LAYOUT



PART NUMBER LEGEND:
 67068- 7041

ENG. NO

EDP NO.

SIMILAR ITEM

CAD FILE :

DO NOT SCALE DRAWING

				MATERIAL : SEE NOTES		 MOLEX TAIWAN LTD. SHEET 3 OF 4
				FINISH : SEE NOTES		
				WIRE RANGE :		GENERAL TOLERANCES ANGLE : ± 3° DIM : ± .25/.010
				INS. RANGE :		ENG. NO.: SD-67068-003
A	NEW RELEASE FOR LEAD-FREE		DAVID HU	2004/11/5		REV A
LTR	REVISION RECORD	ECN	DR	DATE	DRAWN BY 2004/11/5 DAVID HU	CHK'D BY
REVISE ONLY ON CAD SYSTEM					APPR'D BY	SCALE 4 : 1
TITLE : HIGH TEMP.USB B TYPE CONNECTOR KINK TYPE BOARD LOCK (LEAD-FREE)						

ENG. NO SDA-67068-****

EDP NO.

SIMILAR ITEM

CAD FILE : S6706802

DO NOT SCALE DRAWING

NOTES :

1. MATERIAL :

HOUSING : (a) HIGH TEMP. NYLON, GLASS FIBER FILLED, UL94V-0, COLOR: BLACK,

TERMINAL : PHOSPHOR BRONZE
METAL SHELL : COPPER ALLOY

2. PLATING :

TERMINAL :

CONTACT AREA : (a) GOLD FLASH.
(b) GL0D (Au), THICKNESS = 30 MICROINCH MINIMUM.
/0.76 MICROMETER MINIMUM.

SOLDER TAIL :

PURE TIN(Sn) THICKNESS= 75 MICROINCH MINIMUM .
/1.9 MICROMETER MINIMUM.

UNDER PLATE : NICKEL (Ni), THICKNESS= 50 MICROINCH MINIMUM.

/1.27 MICROMETER MINIMUM.

METAL SHELL :

PURE TIN(Sn) THICKNESS= 50 MICROINCH MINIMUM.
/1.27 MICROMETER MINIMUM.

UNDER PLATE : NICKEL (Ni), THICKNESS= 50 MICROINCH MINIMUM.

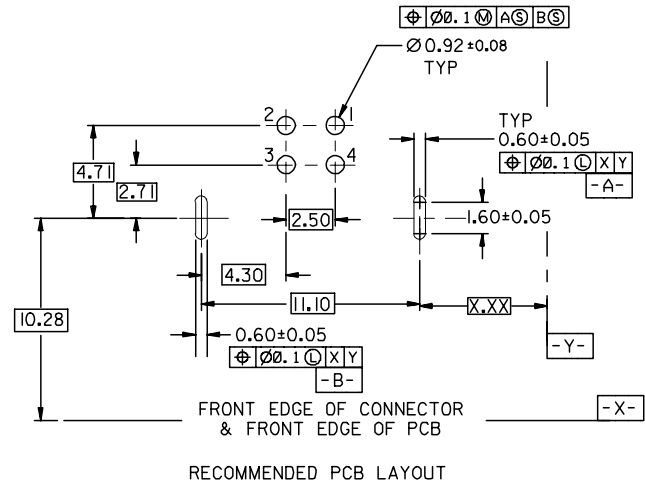
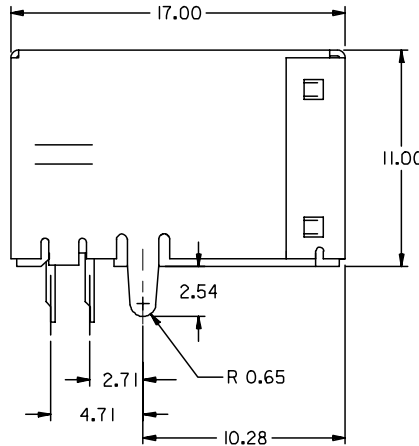
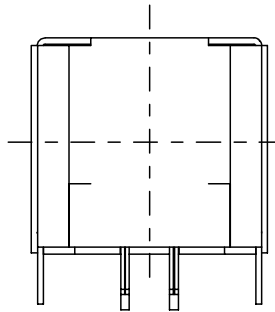
/1.27 MICROMETER MINIMUM.

3 DATUM AND BASIC DIMENSIONS ESTABLISHED BY CUSTOMER

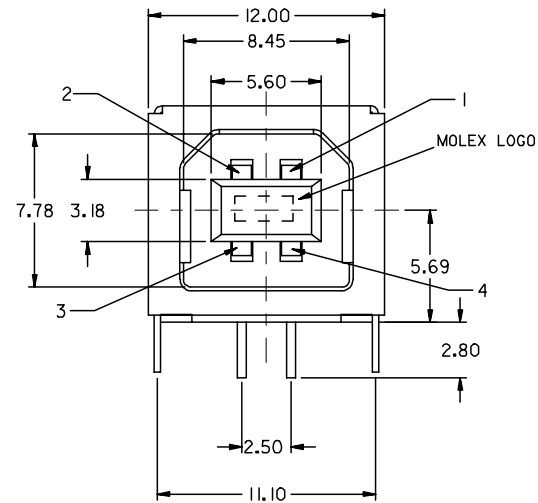
RECOMMENDED PCB THICKNESS : 1.60±0.05

4 PRODUCT SPECIFICATION : REFER TO PS-67998-0000

MOLEX ID OF MFG PLANT CODE



FRONT EDGE OF CONNECTOR & FRONT EDGE OF PCB
RECOMMENDED PCB LAYOUT



PART NUMBER LEGEND:

67068- 7051

				MATERIAL : SEE NOTES		 MOLEX TAIWAN LTD. SHEET 4 OF 4
				FINISH : SEE NOTES		
				WIRE RANGE :		GENERAL TOLERANCES ANGLE : ± 3° DIM : ± .25/0.10
				INS. RANGE :		ENG. NO.: SD-67068-003
A	NEW RELEASE FOR LEAD-FREE		DAVID HU	2004/11/5		REV A
LTR	REVISION RECORD	ECN	DR	DATE	DRAWN BY 2004/11/5 DAVID HU	CHK'D BY
REVISE ONLY ON CAD SYSTEM					APPR'D BY	SCALE 4 : 1
TITLE : HIGH TEMP/USB B TYPE CONNECTOR WITH STRAIGHT TAB (LEAD-FREE)						A