

Directional valves → Electrically operated

5/3-way valve, Series TC15

► Qn = 1300 l/min ► pipe connection ► compressed air connection output: G 1/4 ► Electr. connection: Plug, M8, 3-pin ► manual override: with detent



00120265

Version	Spool valve, zero overlap
Sealing principle	soft sealing
Mounting on manifold strip	P-strip
Working pressure min./max.	See table below
Control pressure min./max.	3 bar / 10 bar
Ambient temperature min./max.	-10 °C / +50 °C
Medium temperature min./max.	-10 °C / +50 °C
Medium	Compressed air
Max. particle size	5 µm
Oil content of compressed air	0 mg/m³ - 5 mg/m³
Connector standard	EN 61076-2-101
Protection class according to EN 60529: with electrical connector/plug	IP 65
Status display LED	Yellow
Duty cycle	100 %
Switch-on time	13 ms
Switch-off time	13 ms
mounting screw tightening torque	2.5 Nm
Materials:	
Housing	Polyamide, fiber-glass reinforced
Seals	Acrylonitrile Butadiene Rubber; Hydrogenated nitrile butadiene rubber
Front plate	Polyamide, fiber-glass reinforced

Technical Remarks

- The pressure dew point must be at least 15 °C under ambient and medium temperature and may not exceed 3 °C.
- The oil content of air pressure must remain constant during the life cycle.
- Use only the approved oils from Bosch Rexroth, see chapter „Technical information“.

Operating voltage	Voltage tolerance	Power consumption
DC	DC	DC
		W
24 V	-10% / +10%	2.2

	MO	Compressed air connection				Operating voltage	Flow conductance		Flow rate value	Working pressure min./max.	Part No.	
		Input	Output	Exhaust	Pilot connection		DC	b				C
								[l/(s*bar)]				[l/min]
		G 1/4	G 1/4	G 1/4	-	24 V	0.31	5.9	1300	3 / 10	R422100992	
		G 1/4	G 1/4	G 1/4	M5	24 V	0.31	5.9	1300	-0.9 / 10	R422100993	
		G 1/4	G 1/4	G 1/4	-	24 V	0.31	5.9	1300	3 / 10	R422100994	

Directional valves → Electrically operated

5/3-way valve, Series TC15

► Qn = 1300 l/min ► pipe connection ► compressed air connection output: G 1/4 ► Electr. connection: Plug, M8, 3-pin ► manual override: with detent

	MO	Compressed air connection				Operating voltage	Flow conductance		Flow rate value	Working pressure min./max.	Part No.	
		Input	Output	Exhaust	Pilot connection		DC	b				C
								[l/(s*bar)]				[l/min]
		G 1/4	G 1/4	G 1/4	M5	24 V	0.31	5.9	1300	-0.9 / 10	R422100995	
		G 1/4	G 1/4	G 1/4	-	24 V	0.31	5.9	1300	3 / 10	R422100996	
		G 1/4	G 1/4	G 1/4	M5	24 V	0.31	5.9	1300	-0.9 / 10	R422100997	
Part No.	Weight					Note						
						[kg]						
R422100992						0.279					1)	
R422100993						0.279					2)	
R422100994						0.279					1)	
R422100995						0.279					2)	
R422100996						0.279					1)	
R422100997						0.279					2)	

MO = Manual override

1) Pilot: internal

2) Pilot: external

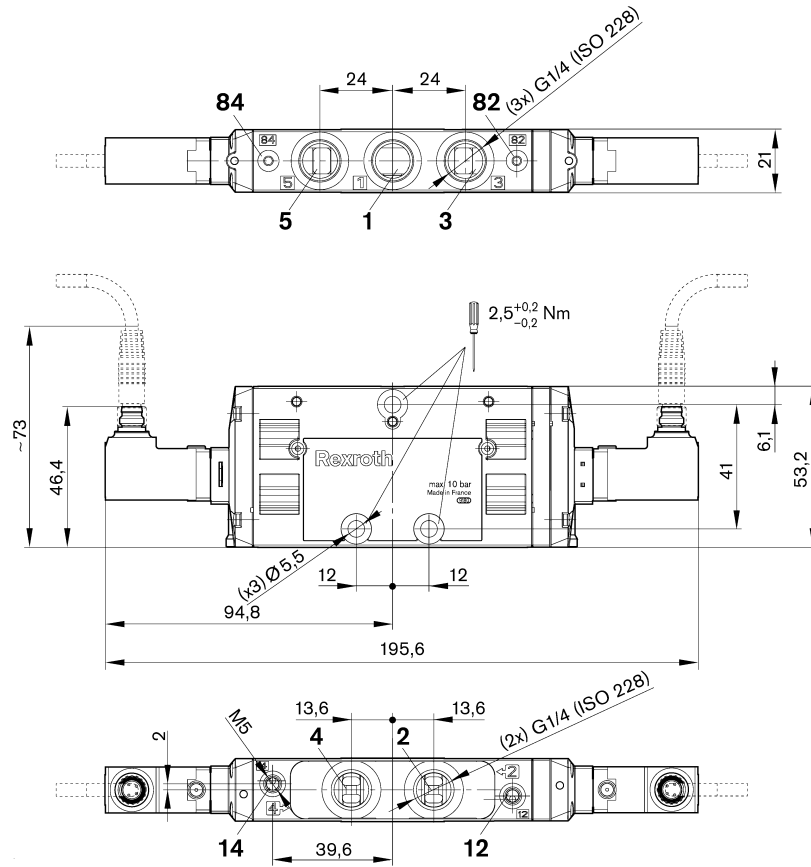
Nominal flow Qn at 6 bar and $\Delta p = 1$ bar

Directional valves → Electrically operated

5/3-way valve, Series TC15

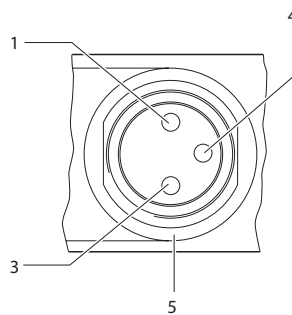
► Qn = 1300 l/min ► pipe connection ► compressed air connection output: G 1/4 ► Electr. connection: Plug, M8, 3-pin ► manual override: with detent

Dimensions



00111973_a

PIN assignment for electrical connector



00125554

- Pin assignment:
- 1) Pin not assigned
 - 3) 0 V
 - 4) 24 V
 - 5) LED

Note: Bi-polar protective circuit to prevent overvoltage