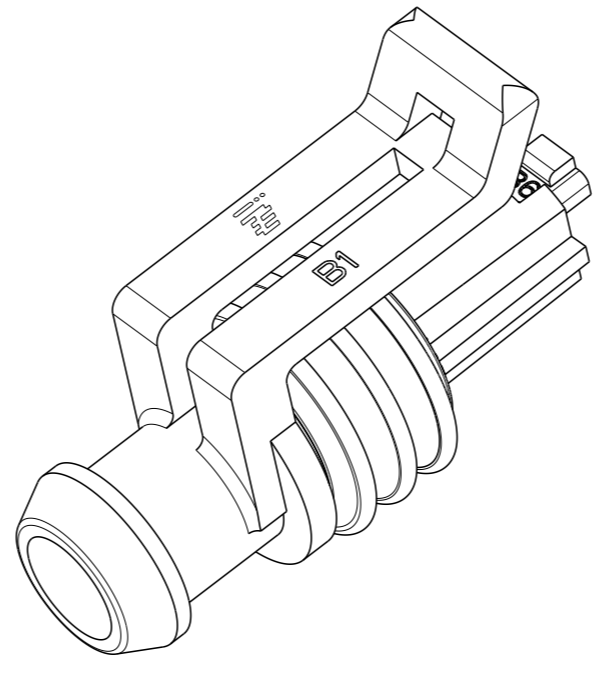
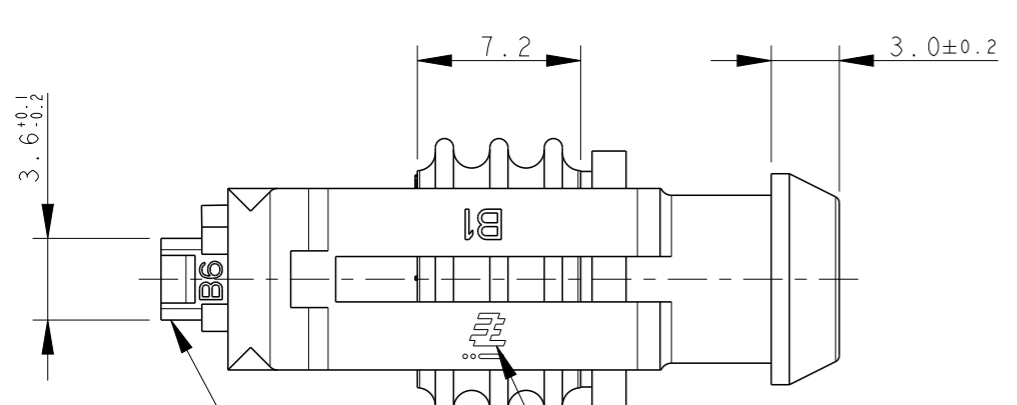
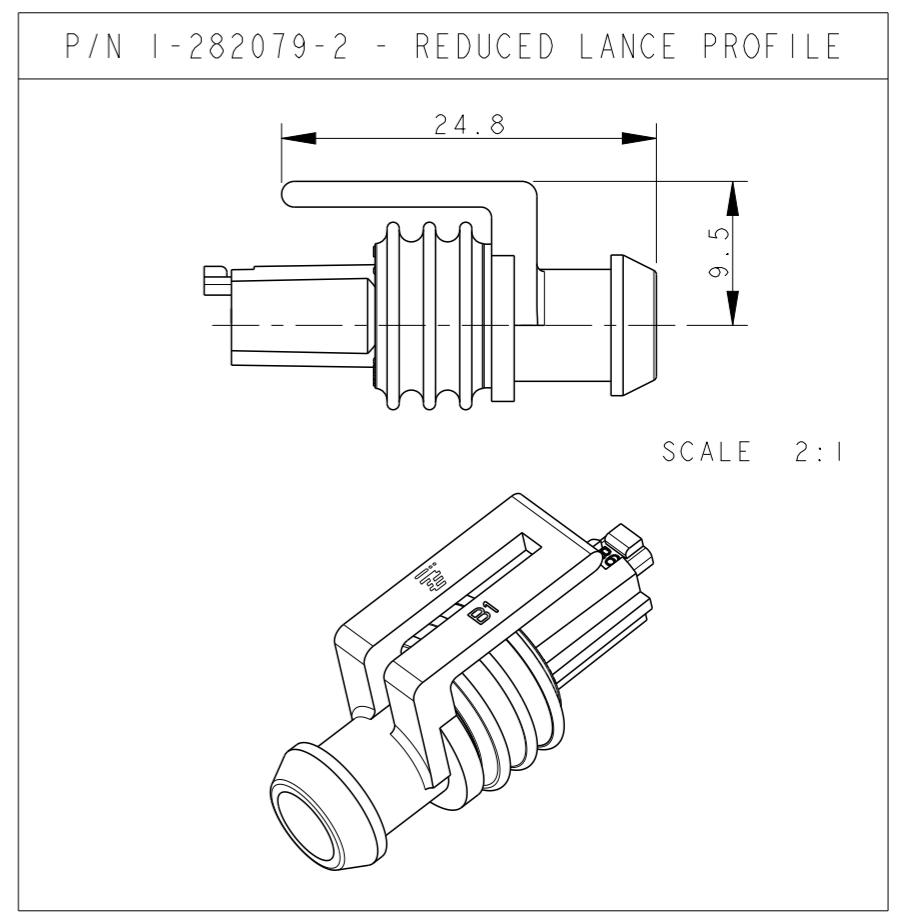
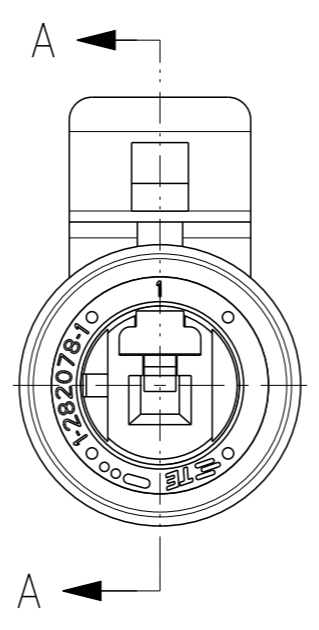
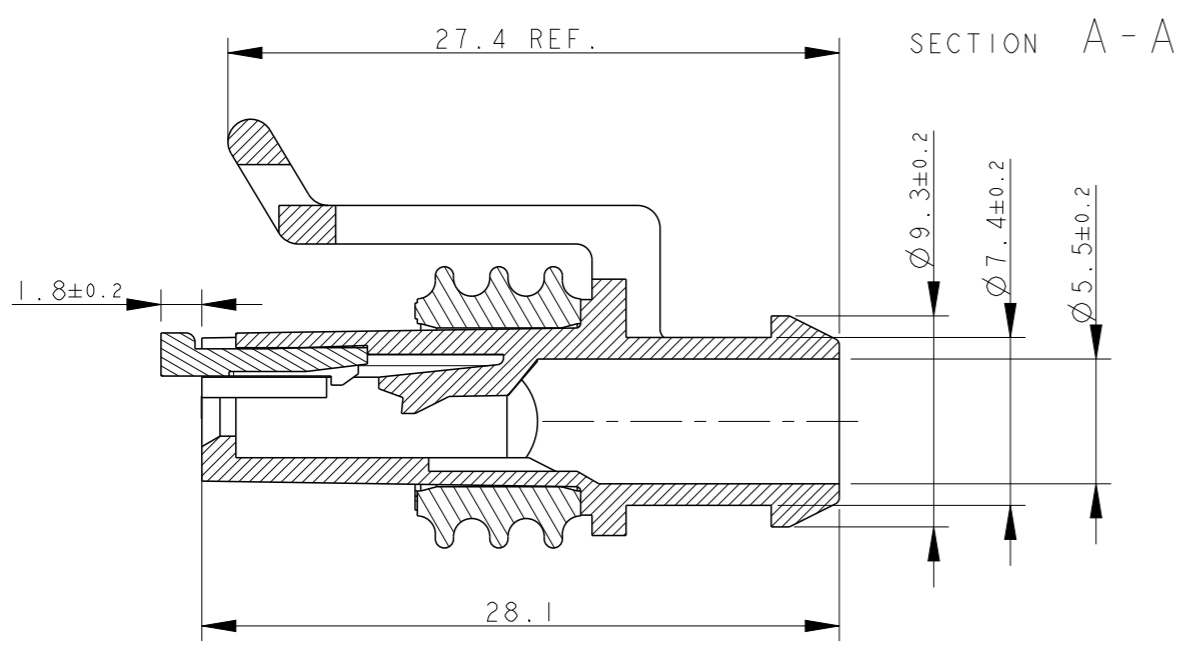


THIS DRAWING IS UNPUBLISHED. RELEASED FOR PUBLICATION 2011  
 © COPYRIGHT 2011 ALL RIGHTS RESERVED.

LOC	DIST	REVISIONS			
P	LTR	DESCRIPTION	DATE	DWN	APVD
	C1	REVISED FOR ET00-0008-04	20JAN2004	P.Z.	R.M.
	F	REVISED BY ECR-11-024280	13DEC2011	M.F.	M.G.
	F1	ADDED PN 2-..-2 (ECR-13-002497)	20FEB2013	M.G.	M.G.



TE CONNECTIVITY TRADE MARK, (IN ALTERNATIVE: "AMP" LOGO, OR "Tyco Electronics" LOGO)

SEALING (SILICONE RUBBER)

PRE-ASSEMBLED SECONDARY LOCK (RED COLOR)

⚠ WARNING: LOW RETENTION FORCE OF SEALING ON HOUSING (<9N)  
 2) FOR COUNTERPART DETAILS, SEE SHEET 2 OF 2

NOTE	FINISH/COLOR	MATERIAL	PART NUMBER
⚠	HOUSING: BLACK SEALING: NATURAL	HOUSING+SEC.LOCK: PA 66-GF SEALING: LSR (4% OIL CONTENT)	2-282079-2
	HOUSING: BLACK SEALING: YELLOW		1-282079-2
	HOUSING: GRAY SEALING: YELLOW	HOUSING+SEC.LOCK: PA 66-GF SEALING: LSR (NO OIL CONTENT)	282079-3
	HOUSING: BLACK SEALING: YELLOW		282079-2

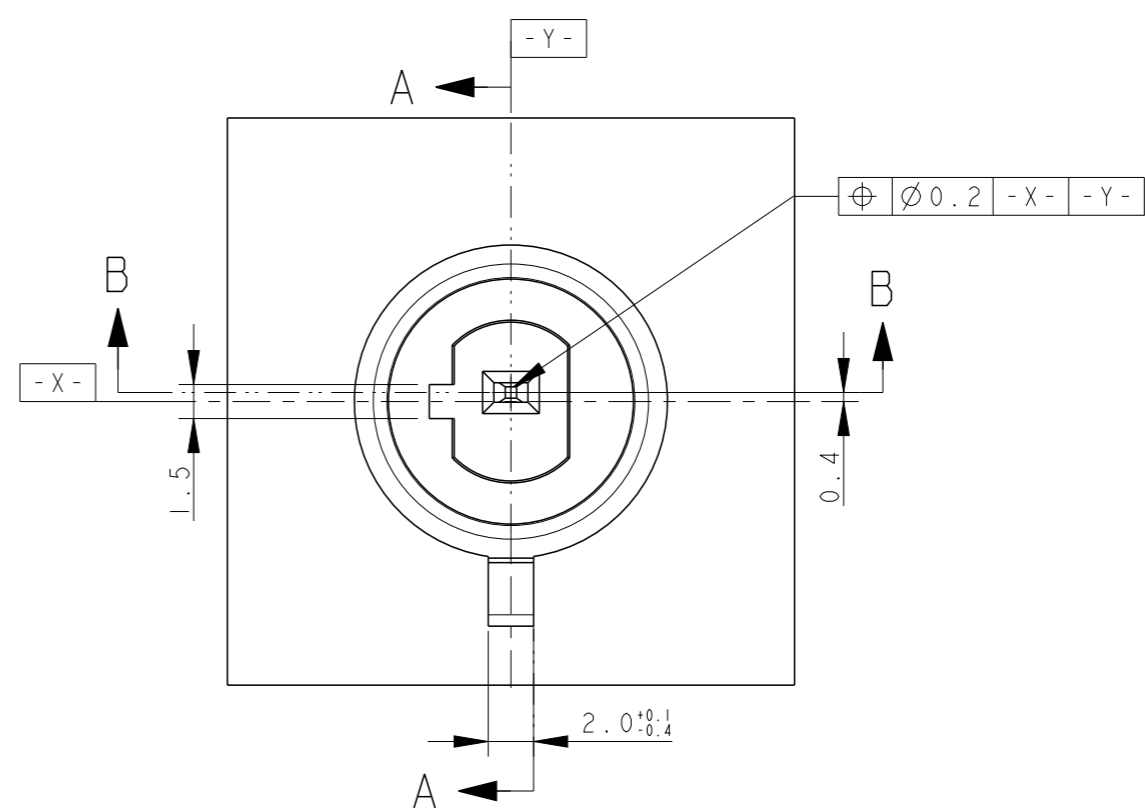
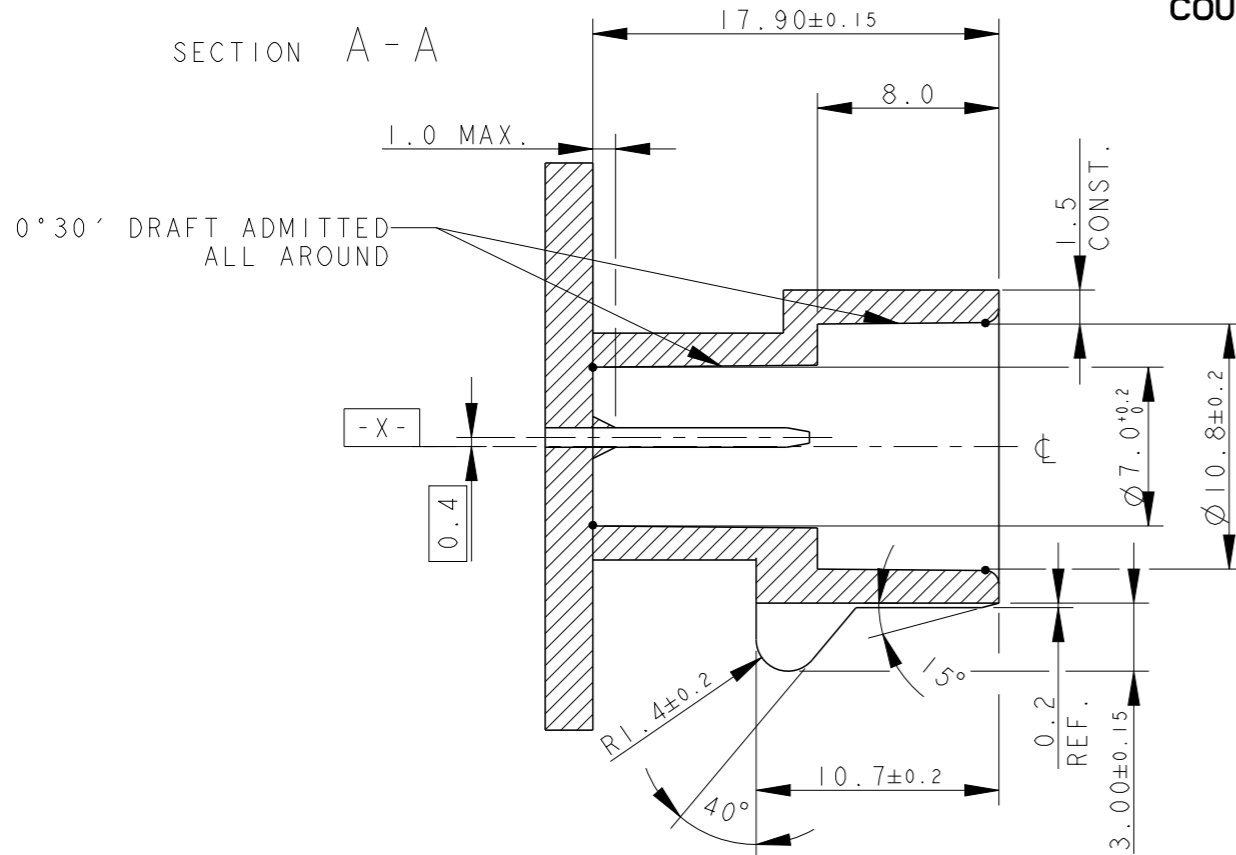
THIS DRAWING IS A CONTROLLED DOCUMENT.

DWN C. BERTINI 05-1992		NAME <b>AMP SUPERSEAL 1.5 SRS.          1 POSITION PLUG ASS'Y</b>
CHK A. BRUNI 05-1992		
APVD -		
PRODUCT SPEC 108-20090		
MATERIAL -	APPLICATION SPEC 412-20000	RESTRICTED TO -
WEIGHT 1.55gr		SIZE A300779
Customer Drawing		SCALE 3:1
		SHEET 1 OF 2
		REV F1

DIMENSIONS: mm	TOLERANCES UNLESS OTHERWISE SPECIFIED:
	0 PLC ±-
	1 PLC ±0.3
	2 PLC ±-
	3 PLC ±-
	4 PLC ±-
	ANGLES ±2°
MATERIAL	FINISH
-	-

LOC		DIST		REVISIONS			
P	LTR	DESCRIPTION	DATE	DWN	APVD		
-	-	SEE SHEET 1	-	-	-		

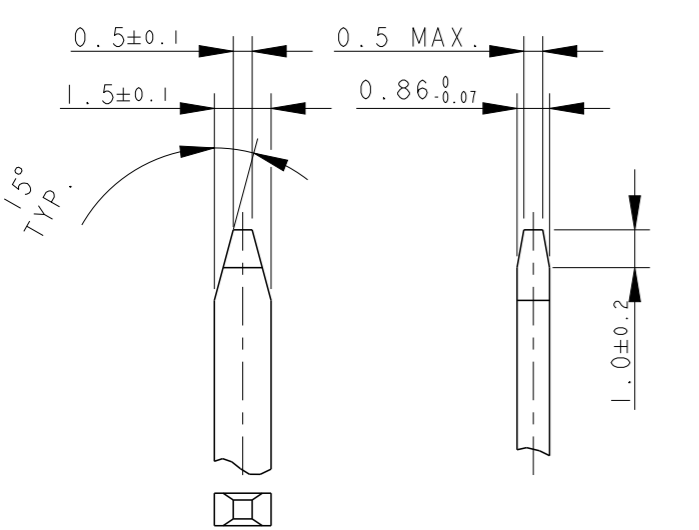
### COUNTERPART DETAILS



### SECTION B-B

△ MATERIALS: PA66-GF FOR HOUSING  
TIN PLATED BRASS FOR TABS

### TAB DETAILS



THIS DRAWING IS A CONTROLLED DOCUMENT.		DWN C. BERTINI 05-1992	<b>TE Connectivity</b>	
DIMENSIONS: mm		CHK A. BRUNI 05-1992		
TOLERANCES UNLESS OTHERWISE SPECIFIED:		APVD -	NAME AMP SUPERSEAL 1.5 SRS. 1 POSITION PLUG ASS'Y	
0 PLC ±0.3		PRODUCT SPEC -	SIZE A300779	
1 PLC ±0.1		APPLICATION SPEC -	CAGE CODE G-282079	
2 PLC ±0.05		WEIGHT -	DRAWING NO -	
3 PLC ±		Customer Drawing	RESTRICTED TO -	
4 PLC ±		SCALE -	SHEET 2 OF 2	
ANGLES ±2°		Customer Drawing	REV F1	
FINISH △		Customer Drawing	REV F1	