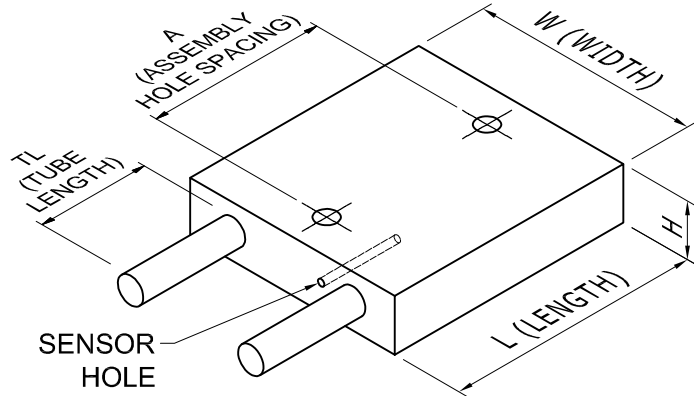


Thermo Electric Devices' liquid heat exchangers are effective for cooling high powered applications where minimal temperature rise is desired or they can be used as the flow area where a liquid's temperature is to be controlled. One of these, the LI-401, can be used with two thermoelectrics. The liquid heat exchangers are designed for use with our thermoelectric devices.

Features

- All copper construction
- Machined finish
- Solderable surface
- External portion of tubes:
Tube Length = 25.4mm (1") long,
6.4mm (0.25") outer diameter
- Internal waterways are
6.4mm (0.25") inner diameter
- Sensor hole for temperature
monitoring 1.58mm (0.062") diameter,
19mm (0.75") deep
- Tapped or clearance assembly holes
Metric M3 (English 6-32)

Mechanical Characteristics



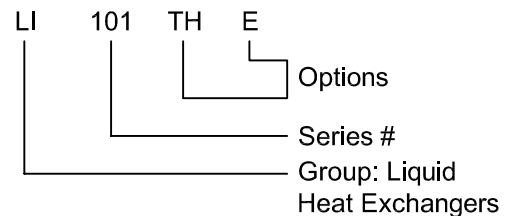
Series #	Assembly Hole Spacing A	Number & maximum size of TEC
-100	38mm (1.5") O.C.	1 x 34mm (1.34")
-200	51mm (2.0") O.C.	1 x 44mm (1.73")
-300	76mm (3.0") O.C.	1 x 62mm (2.44")
-400	51mm (2.0") O.C. (2 sets)	2 x 44mm (1.73")

Options	Description
NH	No Holes
CL*	Clearance Holes
TH-E	Tapped Holes - English
TH-M	Tapped Holes - Metric

*Standard

Dimensions			
Model	Width mm (in)	Length mm (in)	Height mm (in)
LI-101	32 (1.25)	51 (2.0)	9.7 (0.38)
LI-102	51 (2.0)	32 (1.25)	9.7 (0.38)
LI-201	51 (2.0)	57 (2.25)	12.7 (0.50)
LI-301	64 (2.5)	89 (3.50)	12.7 (0.50)
LI-401	51 (2.0)	152 (6.00)	12.7 (0.50)

Models



Thermo Electric Devices
Unit 1 Draycott Business Centre
Draycott
GL56 9JY
UK

T: 01386 701703
F: 01386 701618
E: mail@thermoelectricdevices.co.uk
W: www.thermoelectricdevices.co.uk