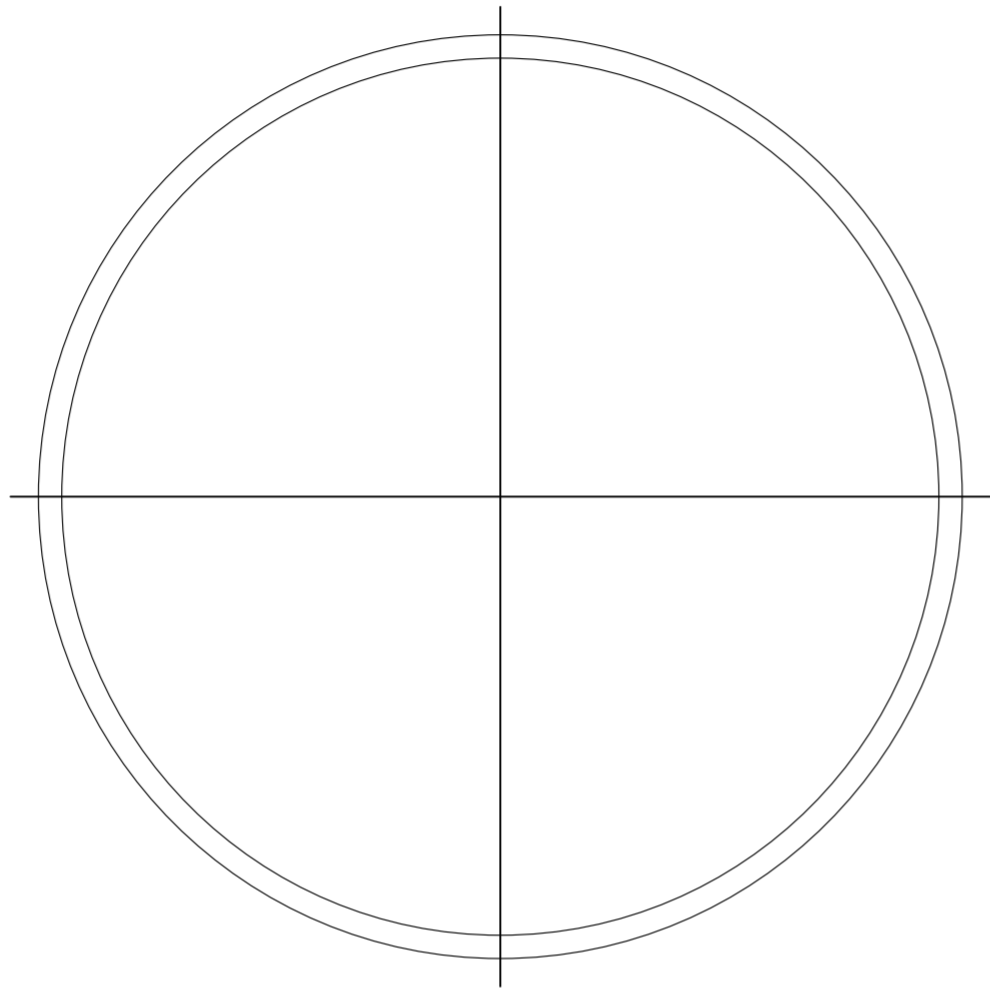
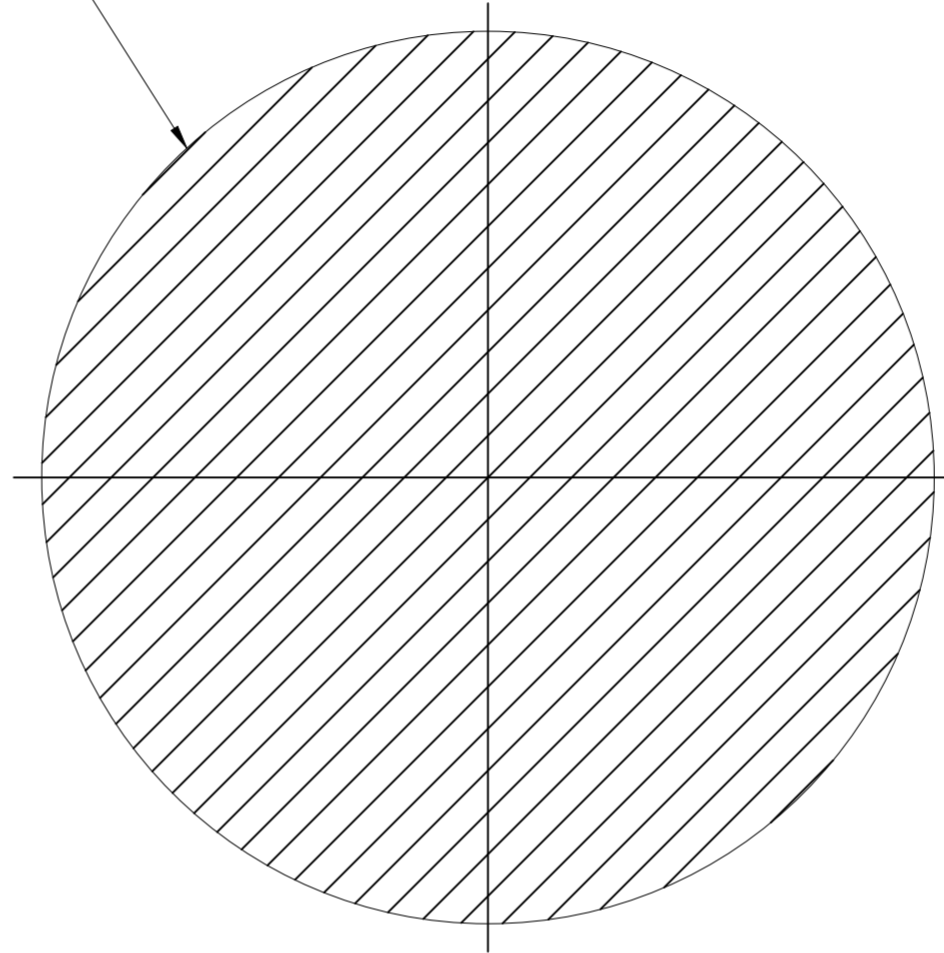


REVISIONS					
P	LTR	DESCRIPTION	DATE	DWN	APVD
	A1	REVISED AS PER ECN-25-351332	28OCT2025	PSK	J.M



Ø2.24 MIN



Suggested PCB Footprint

2-C0.05



Note: Remove all sharp edges, burrs & pip

ENVIRONMENTAL PARAMETER	
TEMPERATURE RANGE	-55 ~ +125 °C

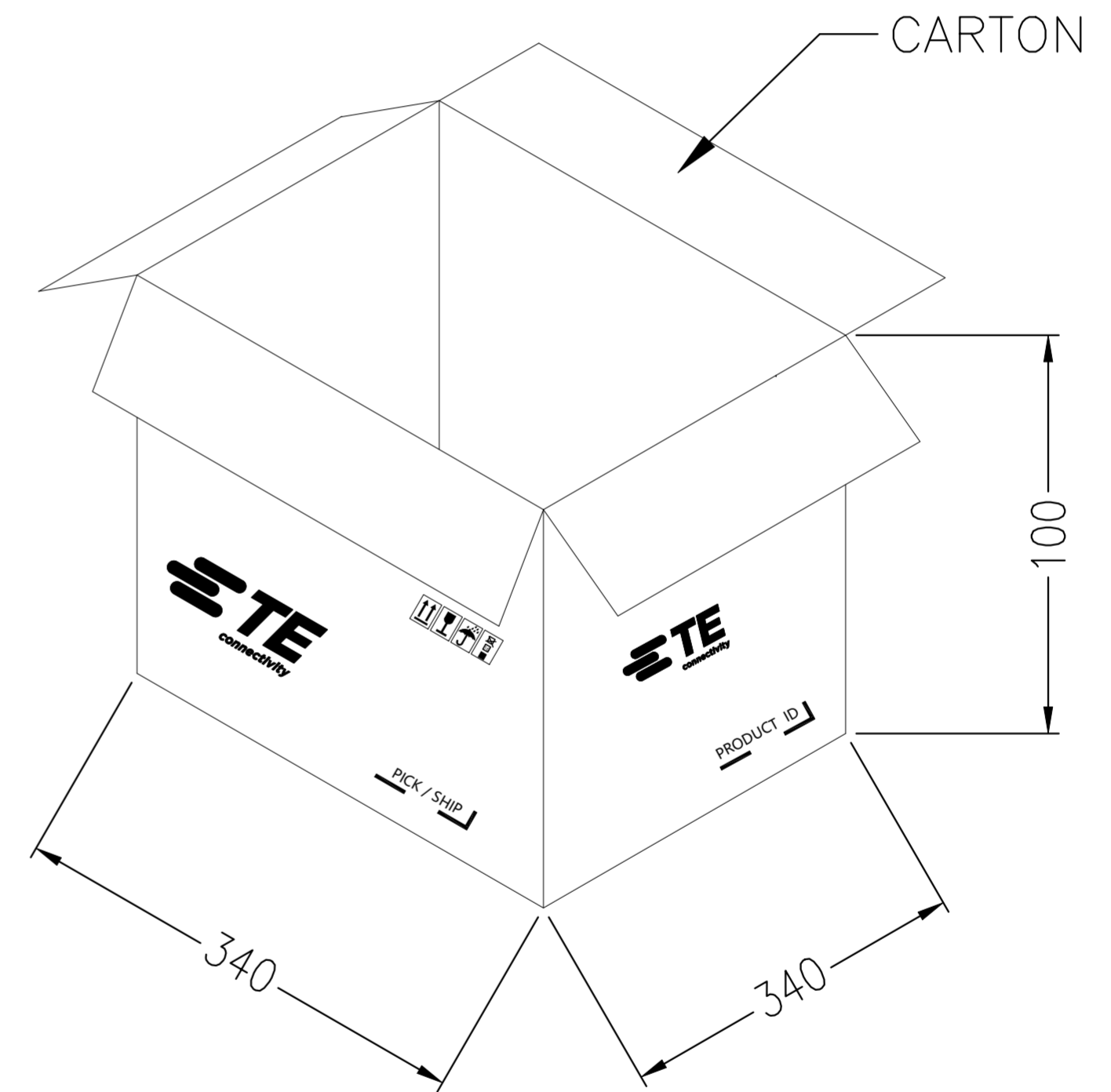
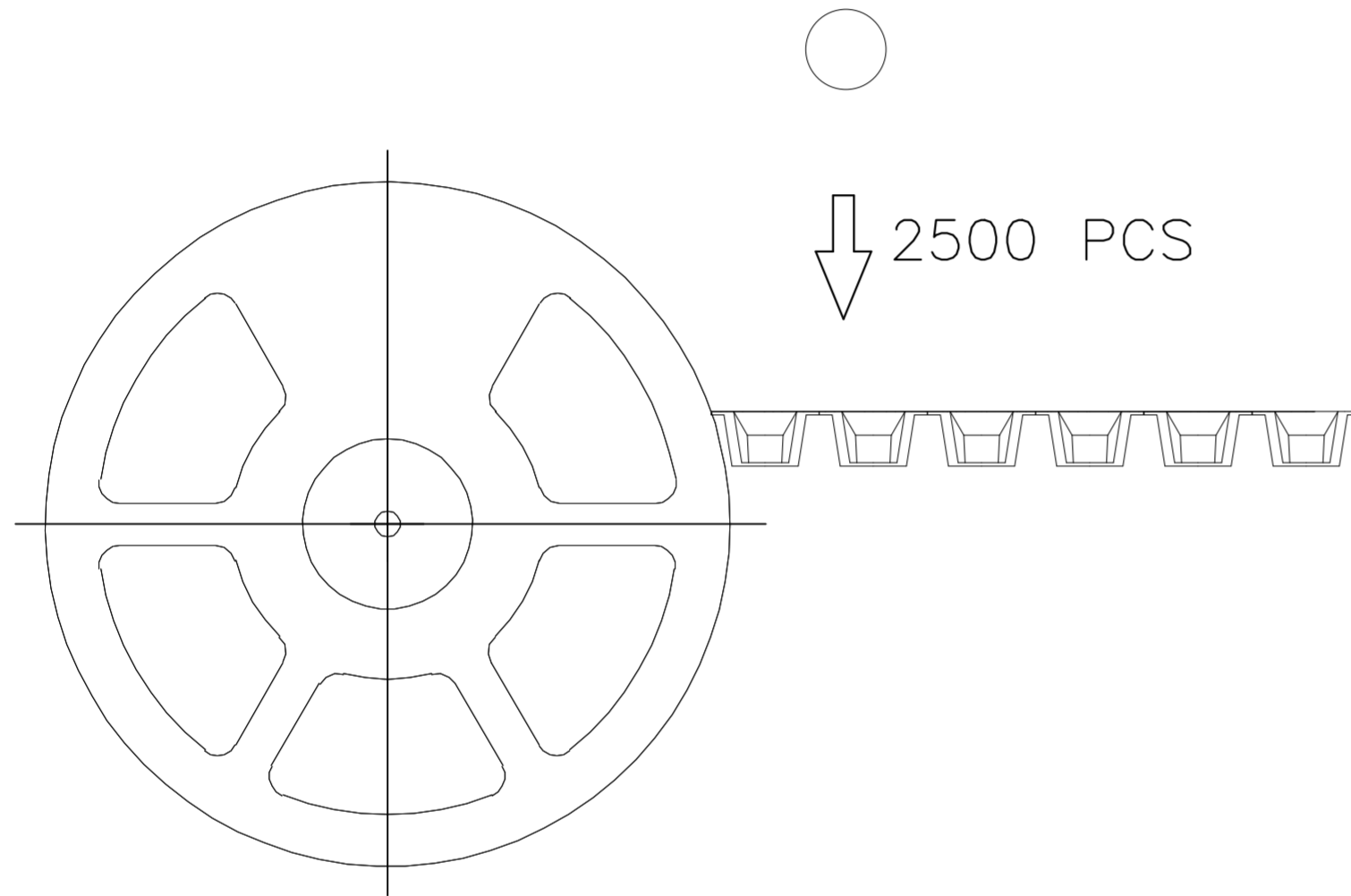
MATERIALS AND PLATING UNIT: MICRO-INCHES	
MATERIALS	PLATING
BRASS ALLOY	GOLD10u"/NICKEL 50u"

TC PN	DIM A	TE DESCRIPTION
2511417-1	0.64	CONTACT PAD, 1.98D X 0.64H, GOLD
2511417-2	1.14	CONTACT PAD, 1.98D X 1.14H, GOLD
2511417-3	1.40	CONTACT PAD, 1.98D X 1.40H, GOLD

THIS DRAWING IS A CONTROLLED DOCUMENT.		DWN PRATHAP SK 20JUN2025	<b>TE</b> TE Connectivity Ltd.	
		CHK MADHAN S 20JUN2025		
DIMENSIONS: mm		APVD JAGRUTI 20JUN2025		NAME
TOLERANCES UNLESS OTHERWISE SPECIFIED:		PRODUCT SPEC 108-162165		CONTACT PAD 1.98D, GOLD
0 PLC ± -		APPLICATION SPEC		
1 PLC ± 0.2		SIZE		CAGE CODE
2 PLC ± 0.1		WEIGHT		DRAWING NO
3 PLC ± 0.05		RESTRICTED TO		
4 PLC ± 0.05		CUSTOMER DRAWING		SCALE
ANGLES ± - ± -		SHEET		REV
MATERIAL SEE TABLE		FINISH SEE TABLE		
		A2 00779		C-2511417
		1:1		1 of 2
				A1

REVISIONS				
P	LTR	DESCRIPTION	DATE	APVD
-	-	SEE SHEET 1	-	-

NOTES :  
 1.PRIMARY PACKING: 2500 PCS/DISH(2500PCS)  
 2.OUTER PACKING: 4 DISH/CARTON(10000PCS)



THIS DRAWING IS A CONTROLLED DOCUMENT.		DWN	PRATHAP_SK	20JUN2025	<b>STE</b> TE Connectivity Ltd.
		CHK	MADHAN_S	20JUN2025	
		APVD	JAGRUTI	20JUN2025	NAME
		PRODUCT SPEC			CONTACT PAD 1.98D, GOLD
		APPLICATION SPEC			
		WEIGHT			
		SIZE	A2	CAGE CODE	00779
		DRAWING NO	G=2511417		RESTRICTED TO
		CUSTOMER DRAWING		SCALE	1:1
		SHEET	2 OF 2		REV
				A1	