

Datasheet

## RS Pro E10 Panel Mount Indicator Lampholder, 14.5mm Panel Hole Diameter

RS Stock No: **589-777**



### Product Details

RS Pro E10 base panel mount lampholder in black colour, has a panel hole diameter of 14.5 mm. This PC lampholder comes with nylon fixing ring.

### Features and Benefits

- Colour: black
- PC construction
- Supplied with nylon fixing ring

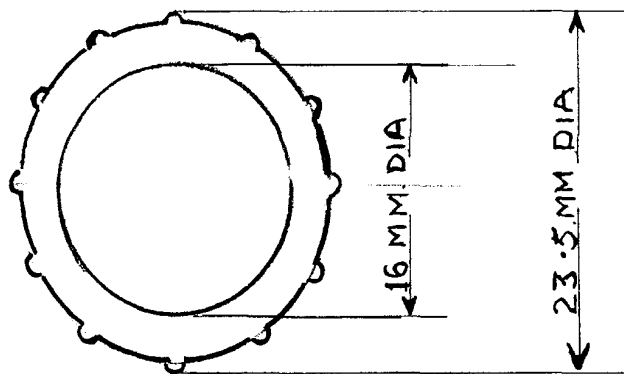
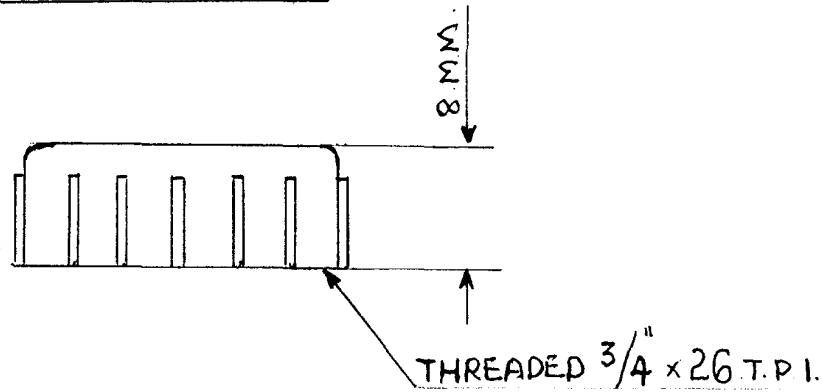


ENGLISH

### Specifications:

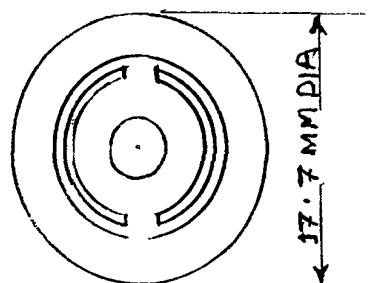
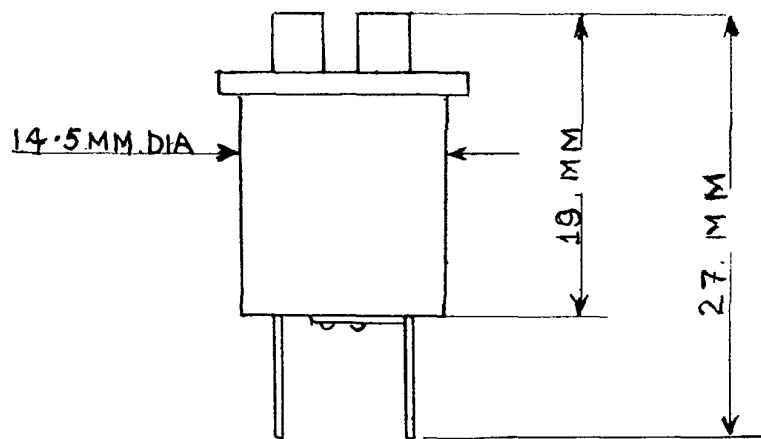
Diameter	17.7 mm
Lamp Base	E10
Lampholder Type	Panel Mount
Length	19 mm
Mounting Type	Panel Mount
Panel Hole Diameter	14.5 mm
Voltage Rating	150 V

P.E. 12 M.E.S. AND M.B.C. LAMPHOLDERS  
MOULDED BEZEL



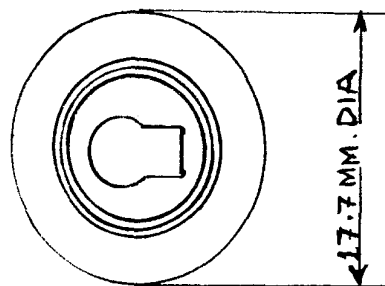
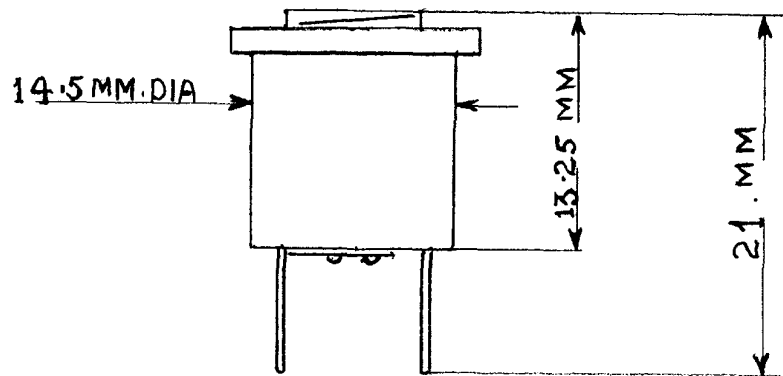
SCALE: 2-1

P.E.12. M.B.C. LAMPHOLDER  
(B.A.9.5)



SCALE: 2-1

P. E. 12. M. E. S. LAMPHOLDER.  
(E. 10)



SCALE: 2-1