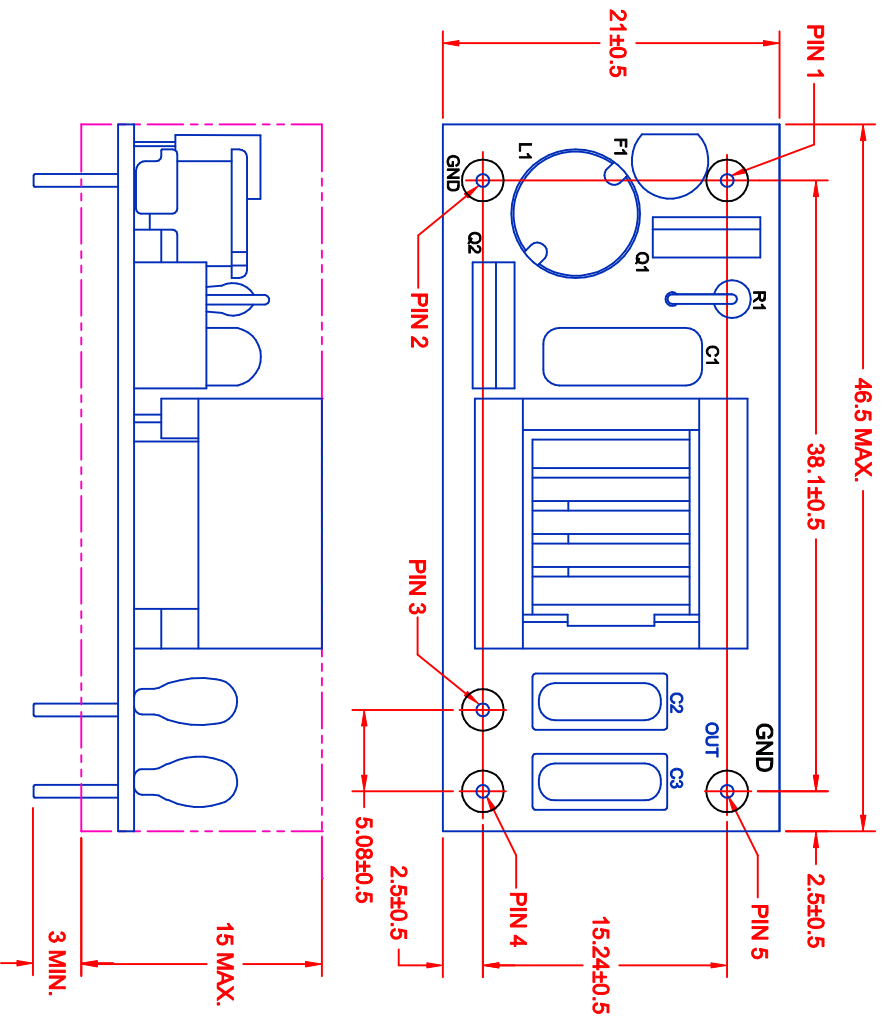


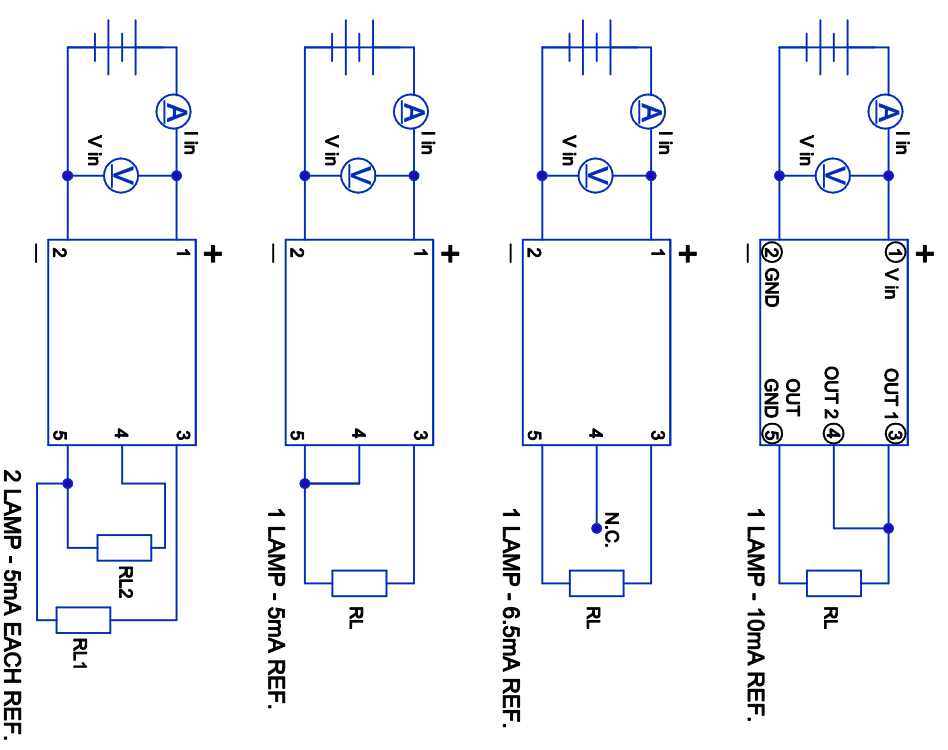
REV.	DESCRIPTION/ECO NO.	DATE
RELEASED		3/10/03



**CAUTION:**  
**REVERSE POLARITY TO INVERTER**  
**INPUT WILL CAUSE AN OPEN CIRCUIT**  
**IN FUSE F1.**

BOARD PIN #	INPUT
1	+V (V In)
2	V (GND)
3	OUT 1
4	OUT 2
5	OUT (GND)

CHARACTERISTICS	MIN	TYP	MAX
INPUT VOLTAGE: (Vdc)	21.6	24.0	26.4
INPUT CURRENT: (mA)	80	140	200
OUTPUT VOLTAGE: (Vrms)	900	1000	1100
OUTPUT CURRENT (mA) x 2	4.5	5.5	6.5
OUTPUT FREQUENCY: (KHz)	20	30	45
OPERATING TEMP: (CELSIUS)	0	25	50



<b>METRIC</b>		<b>DIMENSIONS ARE IN MILLIMETERS</b>	<b>TOLERANCE UNLESS OTHERWISE SPECIFIED</b>
THIRD ANGLE PROJECTION		1 PL +/- 0.3	2 PL +/- 0.3
0			
<b>JKL COMPONENTS CORPORATION</b>		<b>TITLE</b>	
<b>24 V CCFL POWER SUPPLY</b>		<b>55335</b>	
DRWN BY L. WENGSTROM	APPR'D BY	DATE 3/10/03	SCALE A
- CAD DRAWING -		MANUAL REVISIONS NOT PERMITTED	NONE
FSCH NO. BXA-24529	DRAWING NO.	RELEASED DATE 3/10/03	REVISION DATE
REV. NO.	SHEET	OF	