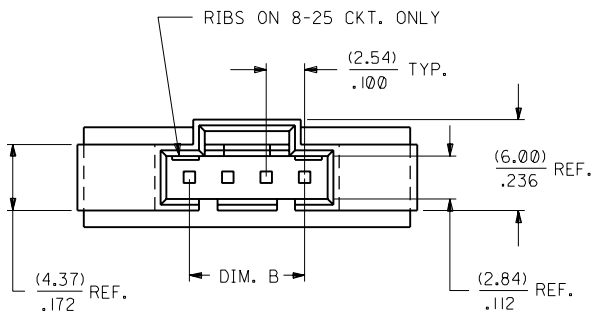
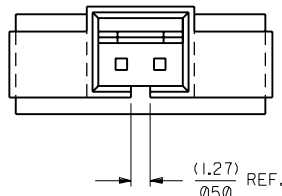


NOTES:

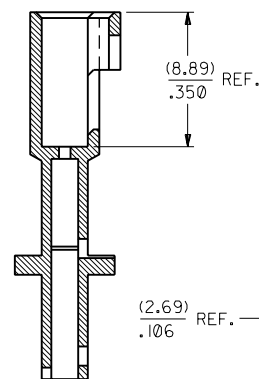
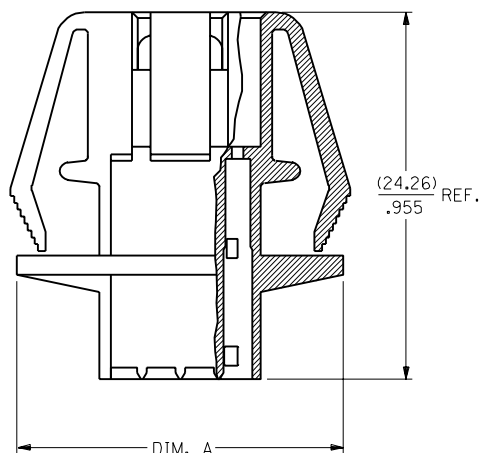
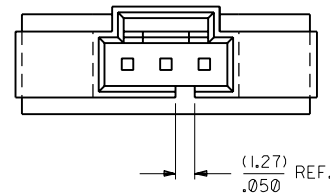
- 1) MATERIAL: POLYESTER, 94V-0
COLOR: BLACK
- 2) HOUSING TO BE USED WITH TERMINAL
PT. NO. 70021-****
- 3) SEE CHART FOR CIRCUIT SIZES
- 4) TO BE USED WITH 70400 SERIES
CONNECTORS (STYLE "G")
- 5) PANEL THICKNESS (0.81)/.032 - (2.36)/.093
- 6) SEE SHEET 3 FOR MOUNTING HOLE DIMENSIONS.
- 7) SEE SHEET 2 FOR OPTIONAL SKIRT AND
SHROUD CONFIGURATIONS
- 8) PACKAGE PER PK-70107-100.



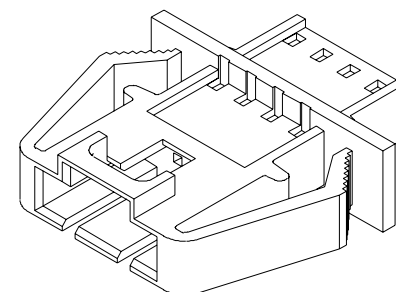
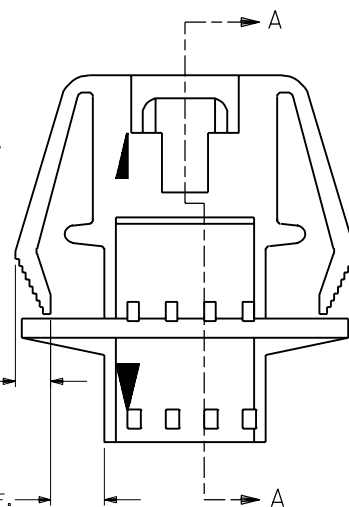
2 CIRCUIT



3 CIRCUIT



SECTION A-A (3.64) REF. / .144



| CKT. SIZE | EDP. NO. | ENG. NO. | A | B |
|-----------|-------------|------------|------------------|------------------|
| 2 | 701-07-0036 | 70107-0036 | (16.51) .650 | (2.54) .100 |
| 3 | 701-07-0037 | 70107-0037 | (19.05) .750 | (5.08) .200 |
| 4 | 701-07-0038 | 70107-0038 | (21.59) .850 | (7.62) .300 |
| 5 | 701-07-0039 | 70107-0039 | (24.13) .950 | (10.16) .400 |
| 6 | 701-07-0040 | 70107-0040 | (26.67) 1.050 | (12.70) .500 |
| 7 | 701-07-0041 | 70107-0041 | (29.21) 1.150 | (15.24) .600 |
| 8 | 701-07-0042 | 70107-0042 | (31.75) 1.250 | (17.78) .700 |
| 9 | 701-07-0043 | 70107-0043 | (34.29) 1.350 | (20.32) .800 |
| 10 | 701-07-0044 | 70107-0044 | (36.83) 1.450 | (22.86) .900 |
| 11 | 701-07-0045 | 70107-0045 | (39.37) 1.550 | (25.40) 1.000 |
| 12 | 701-07-0046 | 70107-0046 | (41.91) 1.650 | (27.94) 1.100 |
| 13 | 701-07-0047 | 70107-0047 | (44.45) 1.750 | (30.48) 1.200 |
| 14 | 701-07-0048 | 70107-0048 | (46.99) 1.850 | (33.02) 1.300 |
| 15 | 701-07-0049 | 70107-0049 | (49.53) 1.950 | (35.56) 1.400 |
| 16 | 701-07-0050 | 70107-0050 | (52.07) 2.050 | (38.10) 1.500 |
| 17 | 701-07-0051 | 70107-0051 | (54.61) 2.150 | (40.64) 1.600 |
| 18 | 701-07-0052 | 70107-0052 | (57.15) 2.250 | (43.18) 1.700 |
| 19 | 701-07-0053 | 70107-0053 | (59.69) 2.350 | (45.72) 1.800 |
| 20 | 701-07-0054 | 70107-0054 | (62.23) 2.450 | (48.26) 1.900 |
| 21 | 701-07-0055 | 70107-0055 | (64.77) 2.550 | (50.80) 2.000 |
| 22 | 701-07-0056 | 70107-0056 | (67.31) 2.650 | (53.34) 2.100 |
| 23 | 701-07-0057 | 70107-0057 | (69.85) 2.750 | (55.88) 2.200 |
| 24 | 701-07-0058 | 70107-0058 | (72.39) 2.850 | (58.42) 2.300 |
| 25 | 701-07-0059 | 70107-0059 | (74.93) 2.950 | (60.96) 2.400 |

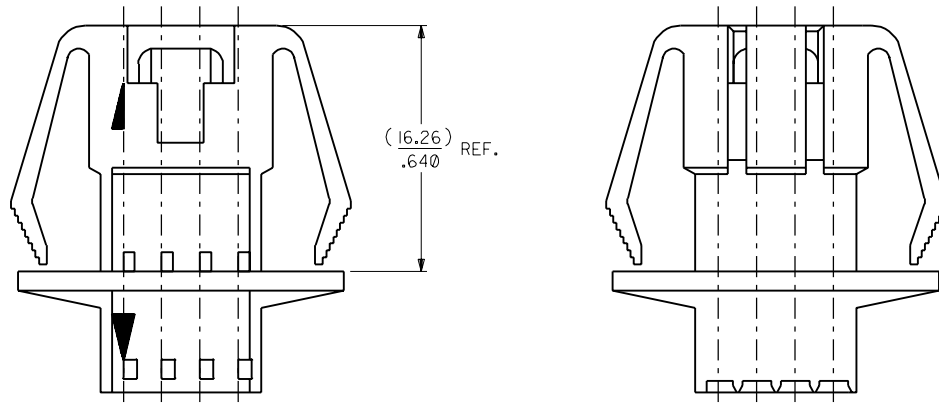
| | |
|---------------|---|
| 3 | G |
| 2 | J |
| 1 | J |
| MFG. SH. REV. | |

| | | | |
|--|-----------|---|-----------|
| DIMENSIONS SHOWN (METRIC) INCH UNLESS OTHERWISE SPECIFIED TOLERANCES: ANGULAR ± 1/2° | | □ = 0 ▽ = 0 REVISE ONLY ON CAD SYSTEM | |
| 5 PLACE ± .010 --- 2 PLACE ± .014 ± 0.25 1 PLACE --- ± 0.35 | | TITLE HOUSING, CONNECTOR (2.54)/.100 GRID | |
| DRAFT WHERE APPLICABLE MUST REMAIN WITHIN DIMENSIONS | | MOLEX INCORPORATED SHEET NO. DATE LITTLE, ILL. 60532 U.S.A. 1 OF 3 7 / 4/86 | |
| DRWG. NO. SD-70107-0036-0059 | | FILE NAME DIV. S70107X02 100 | |
| DRWG. BY: RS CHK'D. BY: MJM APP'D. BY: WAZ SCALE: 4:1 | | THIS DRAWING CONTAINS INFORMATION THAT IS PROPRIETARY TO MOLEX INC. AND SHOULD NOT BE USED WITHOUT WRITTEN PERMISSION. | |
| LTR. | REVISIONS | LTR. | REVISIONS |

70107

13 12 11 10 9 8 7 6 70107 4 3 2 1

J I H G F E D C B A



OPTIONAL CONFIGURATIONS FOR INTERNATIONAL MOLD

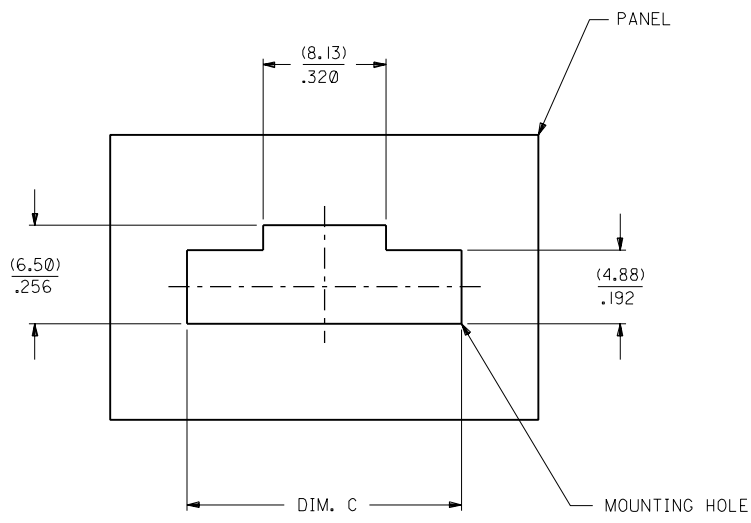
70107

MFG. SH. REV.

| | |
|---|----------------|
| DIMENSIONS SHOWN (METRIC) INCH | |
| UNLESS OTHERWISE SPECIFIED TOLERANCES: ANGULAR ± 1/2° | |
| | |
| 3 PLACE ± .010 | --- |
| 2 PLACE ± .014 | ± 0.25 |
| 1 PLACE --- | ± 0.35 |
| DRAFT WHERE APPLICABLE MUST REMAIN WITHIN DIMENSIONS | |
| DRWG. BY: RS | CHK'D. BY: MJM |
| APP'D. BY: WAZ | SCALE: 4:1 |

| | | | |
|---------------|--|--|--|
| REVISIONS | | REVISE ONLY ON CAD SYSTEM | |
| G SEE SHEET I | | TITLE: HOUSING, CONNECTOR (2.54)/.100 GRID | |
| | | MOLEX INCORPORATED SHEET NO. 2 DATE 7 / 4 / 86 | |
| | | PART NO. SD-70107-0036-0059 | |
| | | FILE NAME: S70107X06.DGN | |
| | | THIS DRAWING CONTAINS INFORMATION THAT IS PROPRIETARY TO MOLEX INC. AND SHOULD NOT BE USED WITHOUT WRITTEN PERMISSION. | |
| | | DIV. DA | |

13 12 11 10 9 8 7 6 5 4 3 2 1



RECOMMENDED MOUNTING HOLE LAYOUT

| CKT. SIZE | EDP. NO. | ENG. NO. | C |
|-----------|-------------|------------|-----------------|
| 2 | 701-07-0036 | 70107-0036 | (13.08) / .515 |
| 3 | 701-07-0037 | 70107-0037 | (15.62) / .615 |
| 4 | 701-07-0038 | 70107-0038 | (18.61) / .715 |
| 5 | 701-07-0039 | 70107-0039 | (20.70) / .815 |
| 6 | 701-07-0040 | 70107-0040 | (23.24) / .915 |
| 7 | 701-07-0041 | 70107-0041 | (25.78) / 1.015 |
| 8 | 701-07-0042 | 70107-0042 | (28.32) / 1.115 |
| 9 | 701-07-0043 | 70107-0043 | (30.86) / 1.215 |
| 10 | 701-07-0044 | 70107-0044 | (33.40) / 1.315 |
| 11 | 701-07-0045 | 70107-0045 | (35.94) / 1.415 |
| 12 | 701-07-0046 | 70107-0046 | (38.48) / 1.515 |
| 13 | 701-07-0047 | 70107-0047 | (41.02) / 1.615 |
| 14 | 701-07-0048 | 70107-0048 | (43.56) / 1.715 |
| 15 | 701-07-0049 | 70107-0049 | (46.10) / 1.815 |
| 16 | 701-07-0050 | 70107-0050 | (48.64) / 1.915 |
| 17 | 701-07-0051 | 70107-0051 | (51.18) / 2.015 |
| 18 | 701-07-0052 | 70107-0052 | (53.72) / 2.115 |
| 19 | 701-07-0053 | 70107-0053 | (56.26) / 2.215 |
| 20 | 701-07-0054 | 70107-0054 | (58.80) / 2.315 |
| 21 | 701-07-0055 | 70107-0055 | (61.34) / 2.415 |
| 22 | 701-07-0056 | 70107-0056 | (63.88) / 2.515 |
| 23 | 701-07-0057 | 70107-0057 | (66.42) / 2.615 |
| 24 | 701-07-0058 | 70107-0058 | (68.96) / 2.715 |
| 25 | 701-07-0059 | 70107-0059 | (71.50) / 2.815 |

70107

MFG. SH. REV.

DIMENSIONS SHOWN (METRIC) INCH
UNLESS OTHERWISE SPECIFIED TOLERANCES: ANGULAR ± 1/2°

| | INCH | METRIC |
|---------|--------|--------|
| 3 PLACE | ± .005 | --- |
| 2 PLACE | ± .01 | ± 0.13 |
| 1 PLACE | --- | ± 0.25 |

DRAFT WHERE APPLICABLE MUST REMAIN WITHIN DIMENSIONS

DRWG. NO. SD-70107-0036-0059

FILE NAME: S70107X03.DWG

THIS DRAWING CONTAINS INFORMATION THAT IS PROPRIETARY TO MOLEX INC. AND SHOULD NOT BE USED WITHOUT WRITTEN PERMISSION.

REVISE ONLY ON CAD SYSTEM

TITLE: HOUSING, CONNECTOR (2.54)/.100 GRID

MOLEX INCORPORATED, LISLE, ILL. 60532 U.S.A.

SHEET NO. 3, DATE 7 / 5 / 86

DRWG. NO. SD-70107-0036-0059

SCALE: 4:1

| LTR. | REVISIONS | LTR. | REVISIONS |
|------|-----------|------|-------------|
| | | G | SEE SHEET I |