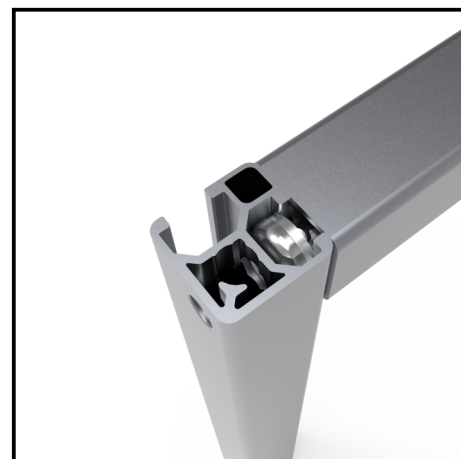
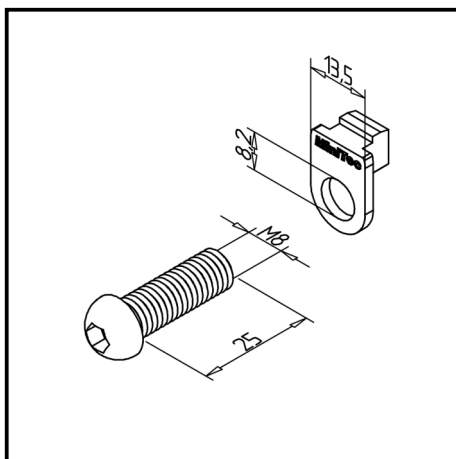


SCREW CONNECTION 30 GD

Article Nr. 21.0897/0

See the product on the website →



TECHN. DATA / ITEMS SUPPLIED

- Aluminium, Pressure die-casting, bright
- Anti-twist lock with fillister head screw
- Weight = 0.012 kg/piece

APPLICATIONS

- Connection of Series 30 profiles

ASSEMBLY

- Insert thread M8 x 25 into the centre hole of the profile
- Insert into vertical profile through-hole \varnothing 7 mm
- Fix the screw with the anti-rotation device on the horizontal profile and insert it into the groove of the vertical profile
- Use Allen key to pull through bore \varnothing 7 mm
- Recommended tightening torque: 20 Nm
- The bore \varnothing 7 mm can be closed with plug 7 **part no.** [22.1215/1](#), should be used with our closed t-slot profiles