



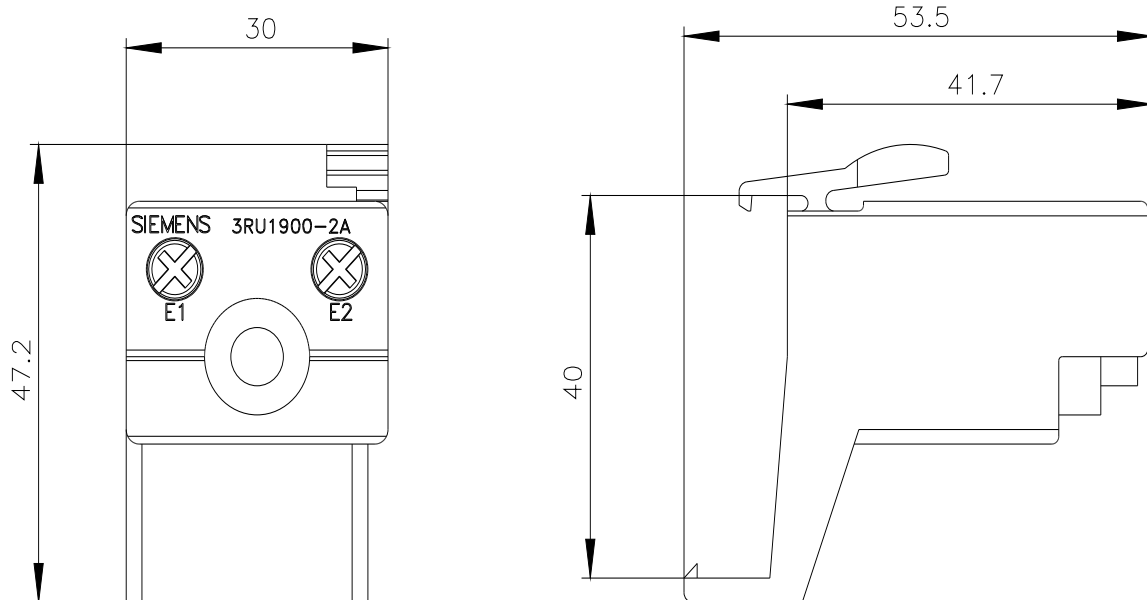
Electronic remote reset 110...127 V AC/DC for 3RU Size S00...S3

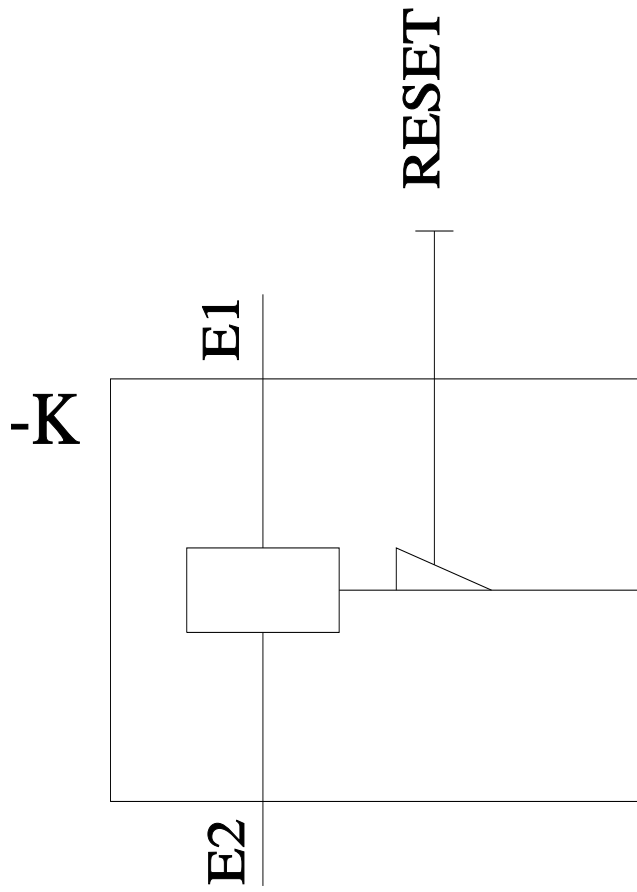
General technical data		
product brand name		SIRIUS
product designation		Electrical RESET
design of the product		Electrical Remote RESET
size of overload relay		S00, S0, S2, S3
ambient temperature		
• during storage	°C	-50 ... +80
• during operation	°C	-20 ... +70
Control circuit/ Control		
type of voltage of the control supply voltage		AC/DC
control supply voltage frequency		
• 1 rated value	Hz	50
• 2 rated value	Hz	60
control supply voltage 1		
• at DC		
— initial rated value	V	110
— final rated value	V	127
• at AC		
— at 50 Hz initial rated value	V	110
— at 50 Hz final rated value	V	127
— at 60 Hz final rated value	V	127
— at 60 Hz initial rated value	V	110
Connections/ Terminals		
type of electrical connection for auxiliary and control circuit		screw-type terminals
type of connectable conductor cross-sections for auxiliary contacts		
• solid		2x (0.5 ... 1.5 mm ²), 2x (0.75 ... 2.5 mm ²)
• finely stranded		
— with core end processing		2x (0.5 ... 1.5 mm ²), 2x (0.75 ... 2.5 mm ²)
Certificates/ approvals		
General Product Approval	Declaration of Conformity	Test Certificates



[Type Test Certificates/Test Report](#)

[Special Test Certificate](#)

[Confirmation](#)[Special Test Certificate](#)**Further information****Information- and Downloadcenter (Catalogs, Brochures,...)**<https://www.siemens.com/ic10>**Industry Mall (Online ordering system)**<https://mall.industry.siemens.com/mall/en/en/Catalog/product?mlfb=3RU1900-2AF71>**Cax online generator**<http://support.automation.siemens.com/WW/CAXorder/default.aspx?lang=en&mlfb=3RU1900-2AF71>**Service&Support (Manuals, Certificates, Characteristics, FAQs,...)**<https://support.industry.siemens.com/cs/ww/en/ps/3RU1900-2AF71>**Image database (product images, 2D dimension drawings, 3D models, device circuit diagrams, EPLAN macros, ...)**http://www.automation.siemens.com/bilddb/cax_de.aspx?mlfb=3RU1900-2AF71&lang=en



last modified:

12/23/2020 