



Protection hood

Protective caps and hoods

DEVICE PROTECTION AND CARE

SICK
Sensor Intelligence.



Ordering information

Type	part no.
Protection hood	2139358

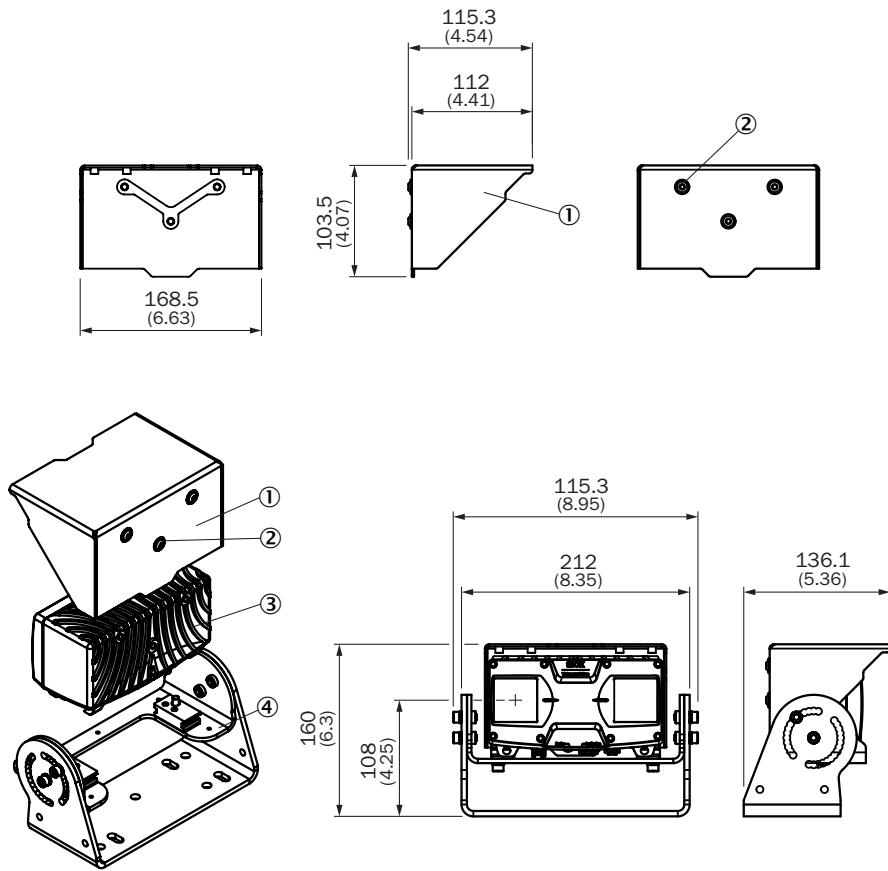
Other models and accessories → www.sick.com/Protective_caps_and_hoods

Detailed technical data

Features

Product segment	Device protection and care
Product	Protective caps and hoods
Description	Protection hood against mechanical influences. Provides effective protection in difficult weather conditions, e.g., in strong rain and direct sunlight.
Suitable for	Visionary-B Two, Visionary-S, Visionary Ai-Assist
Items supplied	Protection hood, Mounting screws
Material	Aluminum
Housing color	Anthracite
Dimensions (W x H x L)	168.5 mm x 103.5 mm x 115.3 mm
Weight	975 g

Dimensional drawing



Dimensions in mm (inch)

- ① Protection hood
- ② Screw (3x)
- ③ Sensor (not included with delivery)
- ④ Pro mounting kit (not included with delivery)

SICK AT A GLANCE

SICK is one of the leading manufacturers of intelligent sensors and sensor solutions for industrial applications. A unique range of products and services creates the perfect basis for controlling processes securely and efficiently, protecting individuals from accidents and preventing damage to the environment.

We have extensive experience in a wide range of industries and understand their processes and requirements. With intelligent sensors, we can deliver exactly what our customers need. In application centers in Europe, Asia and North America, system solutions are tested and optimized in accordance with customer specifications. All this makes us a reliable supplier and development partner.

Comprehensive services complete our offering: SICK LifeTime Services provide support throughout the machine life cycle and ensure safety and productivity.

For us, that is “Sensor Intelligence.”

WORLDWIDE PRESENCE:

Contacts and other locations –www.sick.com