

Actuator:

| | | |
|---|----|------------------------------|
| Design of the operating mechanism | | mushromm pushbutton, Ø 40 mm |
| Shape / of the activation element | | round |
| Manner of function / of the activation element | | No Yes |
| <ul style="list-style-type: none"> • arresting lock • tentative | | |
| Outer diameter / of the activation element | mm | 40 |
| Material / of the activation element | | plastic |

Button:

| | | |
|------------------------------|--|--------|
| Design of the button | | raised |
| Color / of the button | | white |

Front ring:

| | | |
|-------------------------------------|--|--------|
| Material / of the front ring | | metal |
| Color / of the front ring | | silver |

General technical details:

| | | |
|---|-----|-------------------|
| Design of the product | | Ø 40 mm |
| Number of control points | | 1 |
| Number of indicator lights / installable | | 1 |
| Number of switching positions | | 2 |
| Product extension / optional / fluorescent materials | | Yes |
| Product function / emergency-OFF function | | No |
| Type of unlocking device | | without |
| Resistance against shock | | <= 30g <= 50g |
| <ul style="list-style-type: none"> • for devices with incandescent lamp / according to IEC 60068-2-27 • for devices without incandescent lamp / according to IEC 60068-2-27 | | |
| Operating cycles / maximum | 1/h | 1,000 |
| Resistance against vibration / according to IEC 60068-2-6 | | 20 ... 200 Hz: 5g |
| Mechanical operating cycles as operating time / typical | | 3,000,000 |
| Item designation | | S |
| <ul style="list-style-type: none"> • according to DIN 40719 extendable after IEC 204-2 / according to IEC 750 | | |

- according to DIN EN 61346-2

S

Auxiliary Contacts:

| | |
|--|---|
| Number of NC contacts / for auxiliary contact | 0 |
| Number of NO contacts / for auxiliary contact | 0 |
| Number of change-over switches / for auxiliary contact | 0 |

Installation/mounting/dimensions:

| | | |
|---|-----|----------------|
| Color / of the lens | | white |
| Product component / front ring | | Yes |
| Material / of the housing | | metal |
| Type of mounting | | front mounting |
| Installation width | mm | 22 |
| Shape / of the installation hole | | round |
| Mounting diameter | mm | 22 |
| Height | mm | 40 |
| Width | mm | 40 |
| Depth | mm | 53.5 |
| Tightening torque / of the screws in the holder / maximum | N-m | 1 |

Ambient conditions:

| | | |
|--|----|------------|
| Ambient temperature | | |
| <ul style="list-style-type: none"> • during the operating phase | °C | 70 ... -25 |
| <ul style="list-style-type: none"> • during storage | °C | -40 ... 80 |
| Protection class IP | | IP67 |
| Climatic class / according to DIN EN ISO 6270-2 | | KTW24 |

Certificates/approvals:

General Product Approval


[ROSTEST](#)


Test Certificates

[Manufacturer](#)

Shipping Approval

[ABS](#)

[PRS](#)

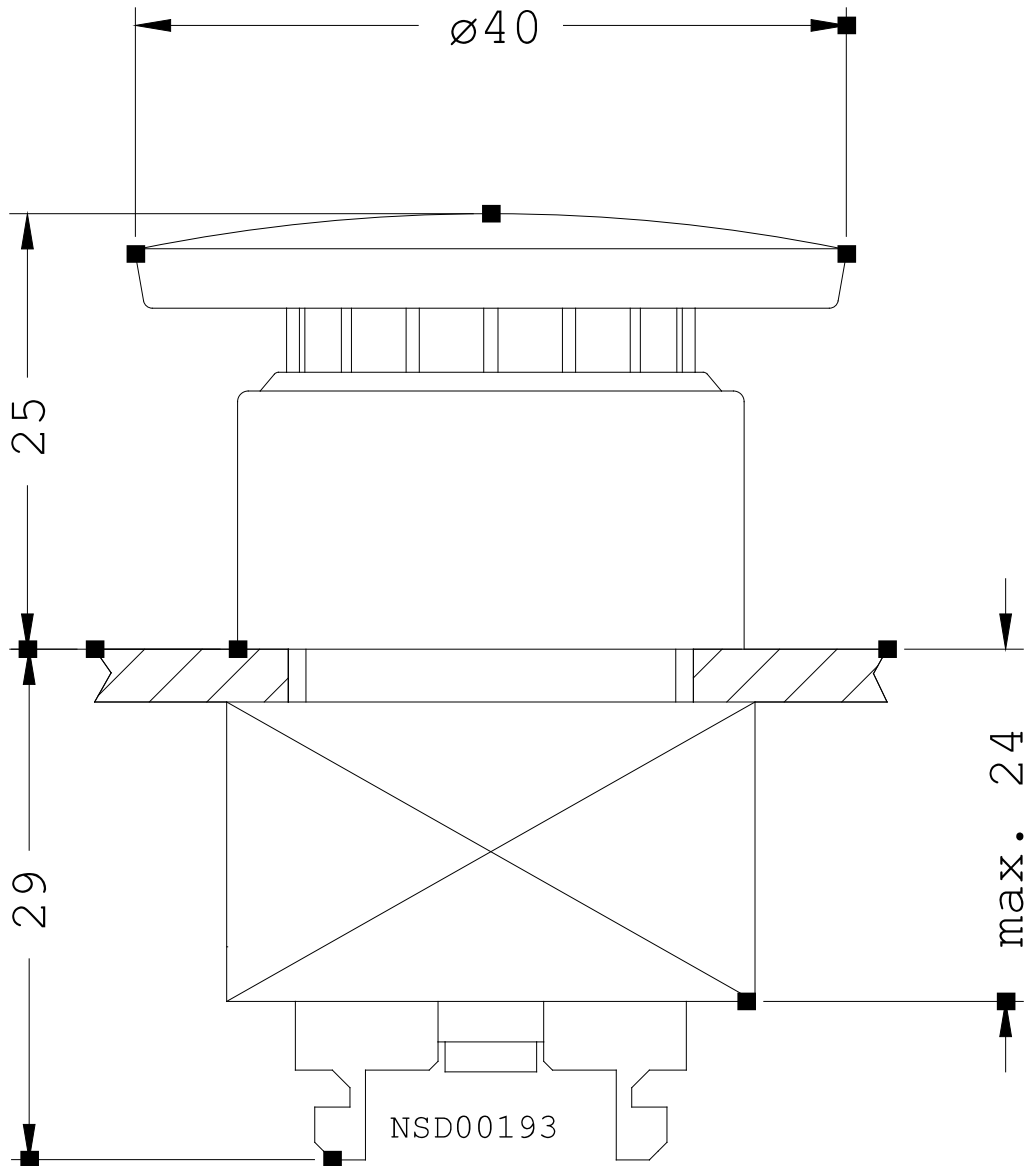

other

[Manufacturer](#)

Further information:

Information- and Downloadcenter (Catalogs, Brochures,...)

<http://www.siemens.com/industrial-controls/catalogs>



last change:

Sep 6, 2010