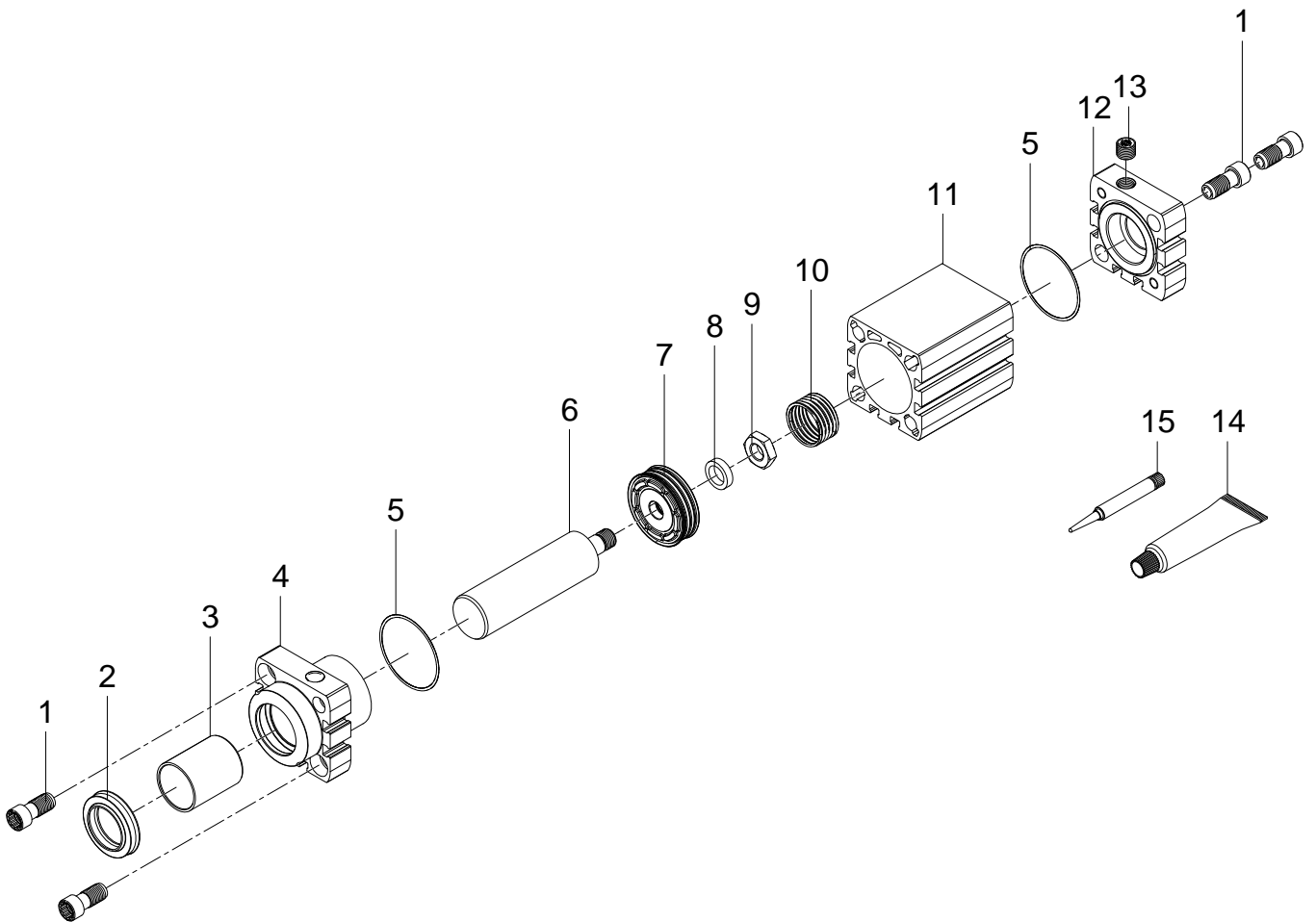


576126 DFSP-40-20-PS-PA Stopper cylinder - Series: All



576126 DFSP-40-20-PS-PA Stopper cylinder - Series: All

Pos.	Part no.	Type	Note	Qty.	Unit
A	8005118	DFSP-...-40 Set of wearing parts	Spare parts: 2, 5, 7, 14, 15	1	PC
1	658856	ADN-32/40 flange screw	Tightening torque 27 Nm / 19.9 lbf ft	4	PC
2	1751424	WIFC1-25X35X7-TPE-U Wiper seal	Grease using during assembly. See position 14	1	PC
3		XSM-2528-35 Plain bearing	Not available Grease using during assembly. See position 14	1	PC
4		DFSP-40 Bearing cap	Not available	1	PC
5		B-40X1,2-N-NBR75 O-ring ISO3601	Not available separately, see position A Grease using during assembly. See position 14	2	PC
6		ORA-25-X0052,0-S Piston rod	Not available Grease using during assembly. See position 14	1	PC
7		BA-K01E-040-A-WRB Piston module	Not available separately, see position A Grease using during assembly. See position 14	1	PC
8	356369	11 X 16 X 4 Ring		1	PC
9	211437	DIN 439-B-M10X1,25-04 Hex nut	Tightening torque 13.5 Nm / 10.0 lbf ft Use locking compound. See position 15	1	PC
10	8180458	DFSP-40 Compression spring		1	PC
11		DFSP-40-X Cylinder barrel	Not available Grease using during assembly. See position 14	1	PC
12		ADN-40 End cap	Not available	1	PC
13	340116	G1/8-AEVU Filter nipple		1	PC
14	684474	LUB-KC1 SILIKONFREI 20ML Lubricating grease		1	PC
15	8181256	CYBERBOND TM44 TB1ML Adhesive bonding agent		1	PC