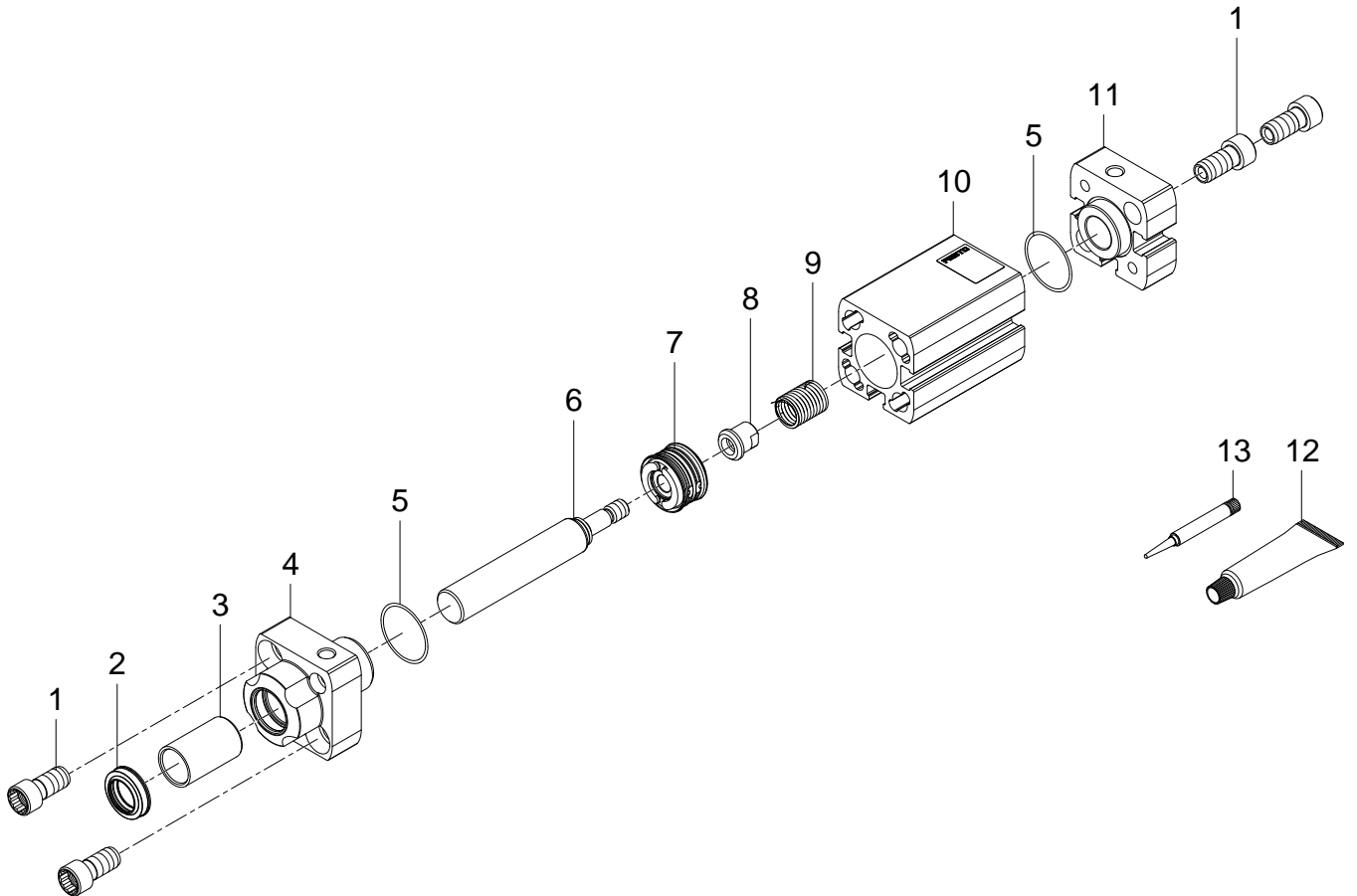


576072 DFSP-20-10-S-PA Stopper cylinder - Series: All



576072 DFSP-20-10-S-PA Stopper cylinder - Series: All

Pos.	Part no.	Type	Note	Qty.	Unit
A	8005116	DFSP-...-20 Set of wearing parts	Spare parts: 2, 5, 7, 12, 13	1	PC
1	658855	ADN-20/25 flange screw	Tightening torque 9 Nm / 6.6 lbf ft	4	PC
2	8185482	WIFC1-12X16,5X4-TPE-U Wiper seal	Grease using during assembly. See position 12	1	PC
3		XSM-1214-25 Plain bearing	Not available Grease using during assembly. See position 12	1	PC
4		DFSP-20 Bearing cap	Not available	1	PC
5		B-20X0,7-N-NBR75 O-ring ISO3601	Not available separately, see position A Grease using during assembly. See position 12	2	PC
6		DFSP-20-X-S Piston rod	Not available Use locking compound. See position 13	1	PC
7		BA-K10D-020-A Complete piston	Not available separately, see position A Grease using during assembly. See position 12	1	PC
8		DFSP-20 Nut	Not available Tightening torque 2.7 Nm / 2.0 lbf ft	1	PC
9	8180456	DFSP-20 Compression spring		1	PC
10		DFSP-20-X Cylinder barrel	Not available Grease using during assembly. See position 12	1	PC
11		DFSP-20 End cap	Not available	1	PC
12	684474	LUB-KC1 SILIKONFREI 20ML Lubricating grease		1	PC
13	8181256	CYBERBOND TM44 TB1ML Adhesive bonding agent		1	PC