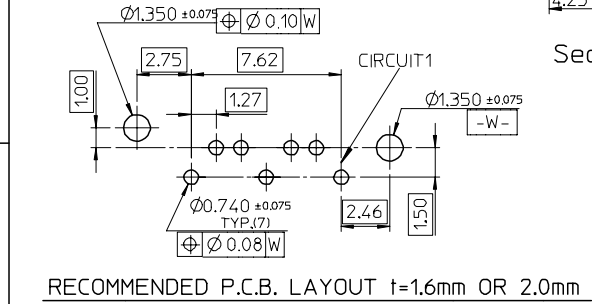
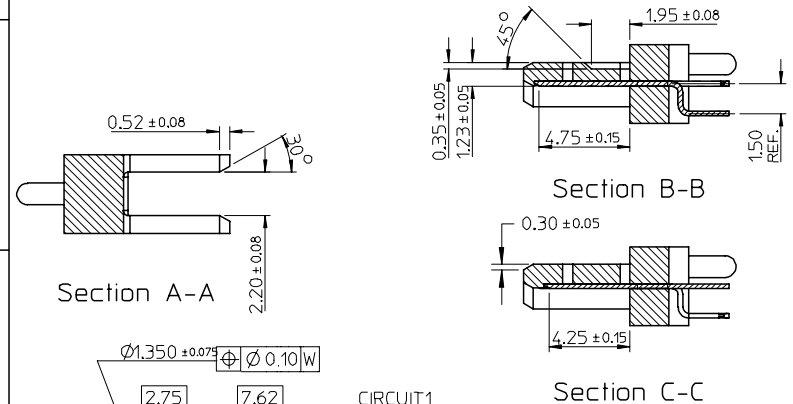
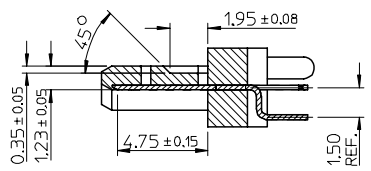


	10	9	8	7	6	5	4	3	2	1					
	P/N	CONTACT PLATING TYPE	'A'	'B'	PCB THICKNESS	SOLDERING PLATE									
F	67491-0030	GOLD FLASH	2.05	2.40	1.60	TIN-LEAD		<p>NOTES: 1. MATERIAL : HOUSING: THERMAL PLASTIC, UL94V-0, COLOR: BLACK TERMINAL/PEG: COPPER ALLOY 2. TERMINAL PLATING : CONTACT AREA: GOLD PLATED SOLDER TAIL: 1.27 MOICRON MIN. TIN-LEAD OR TIN PLATED UNDER PLATE: 1.27 MOICRON MIN. NICKEL PLATED 3. PEG PLATING: 1.27 MOICRON MIN. TIN-LEAD OR TIN PLATED OVERALL 1.27 MOICRON MIN. TNICKEL UNDER PLATED 4. PACKAGING SPECIFICATION REFER TO PK-67491-001 5. PRODUCT SPECIFICATION REFER TO PS-67491-001 6. MATING PART: 67489 7. RECOMMENDED PROCESS: WAVE SOLDERING</p>							
	67491-0031	0.76 MICRON GOLD PLATED													
	67491-0032	0.38 MICRON GOLD PLATED													
E	67491-0035	GOLD FLASH	2.35	2.40	2.00						PURE TIN				
	67491-0036	0.76 MICRON GOLD PLATED													
	67491-0037	0.38 MICRON GOLD PLATED													
D	67491-0038	GOLD FLASH	3.00	3.20	2.40										
	67491-0039	0.76 MICRON GOLD PLATED													
	67491-0040	0.38 MICRON GOLD PLATED													
C	67491-1030	GOLD FLASH	2.05	2.40	1.60										
	67491-1031	0.76 MICRON GOLD PLATED													
	67491-1032	0.38 MICRON GOLD PLATED													
B	67491-1033	GOLD FLASH	2.35	2.40	2.00										
	67491-1034	0.76 MICRON GOLD PLATED													
	67491-1035	GOLD FLASH													
A	67491-1036	0.76 MICRON GOLD PLATED	3.00	3.20	2.40										
	67491-1037	0.38 MICRON GOLD PLATED													
	67491-1038	GOLD FLASH													
A	67491-1039	0.76 MICRON GOLD PLATED	3.00	3.20	2.40										
	67491-1040	0.38 MICRON GOLD PLATED													
	67491-1041	0.38 MICRON GOLD PLATED													

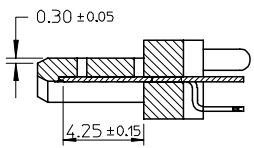
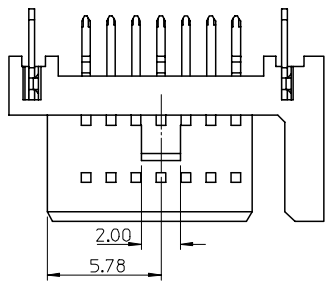


EC NO: SH2005-0049 DRWN:GRMA 2004/09/03 CHKD:GRATE M&A004/09/07 APPR: YTYAP 2004/09/10	QUALITY SYMBOLS	GENERAL TOLERANCES (UNLESS SPECIFIED)	SCALE 4:1	DESIGN UNITS METRIC	THIRD ANGLE PROJECTION	REVISE ON CAD ONLY															
		<table border="1"> <thead> <tr> <th></th> <th>mm</th> <th>INCH</th> </tr> </thead> <tbody> <tr> <td>4 PLACES</td> <td>± ---</td> <td>± ---</td> </tr> <tr> <td>3 PLACES</td> <td>± ---</td> <td>± ---</td> </tr> <tr> <td>2 PLACES</td> <td>± 0.15</td> <td>± ---</td> </tr> <tr> <td>1 PLACE</td> <td>± 0.25</td> <td>± ---</td> </tr> </tbody> </table>		mm	INCH	4 PLACES	± ---	± ---	3 PLACES	± ---	± ---	2 PLACES	± 0.15	± ---	1 PLACE	± 0.25	± ---	DIMENSION STYLE MM ONLY	TITLE	1.27MM HIGH SPEED SERIAL PLUG VERTICLE TYPE	
			mm	INCH																	
	4 PLACES	± ---	± ---																		
3 PLACES	± ---	± ---																			
2 PLACES	± 0.15	± ---																			
1 PLACE	± 0.25	± ---																			
DRAFT WHERE APPLICABLE	<table border="1"> <thead> <tr> <th>DATE</th> <th>DATE</th> </tr> </thead> <tbody> <tr> <td>'01/06/21</td> <td>'01/06/21</td> </tr> </tbody> </table>	DATE	DATE	'01/06/21	'01/06/21	MATERIAL NO. SEE TABLE	DOCUMENT NO. SD-67491-002	SHEET NO. 1 OF 1													
DATE	DATE																				
'01/06/21	'01/06/21																				
MUST REMAIN WITHIN DIMENSIONS	<table border="1"> <thead> <tr> <th>DATE</th> <th>DATE</th> </tr> </thead> <tbody> <tr> <td>'01/06/21</td> <td>'01/06/21</td> </tr> </tbody> </table>	DATE	DATE	'01/06/21	'01/06/21	THIS DRAWING CONTAINS INFORMATION THAT IS PROPRIETARY TO MOLEX INCORPORATED AND SHOULD NOT BE USED WITHOUT WRITTEN PERMISSION															
DATE	DATE																				
'01/06/21	'01/06/21																				

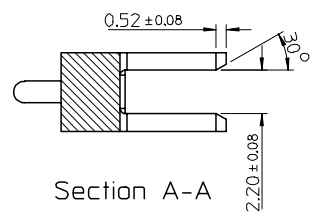
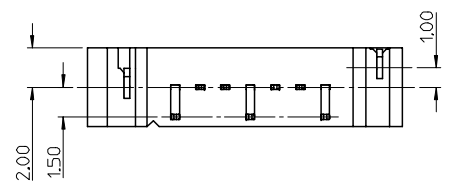
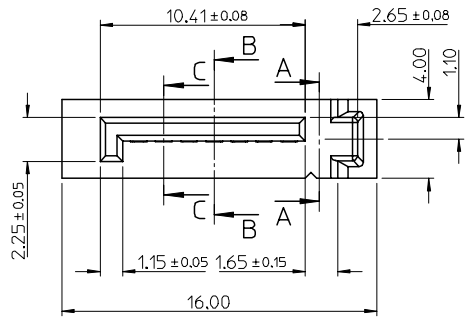
10 9 8 7 6 5 4 3 2 1



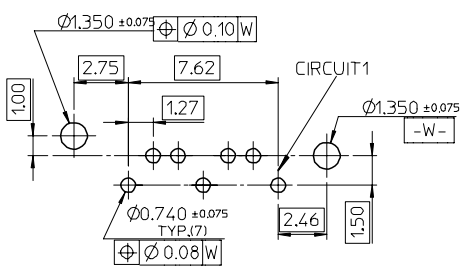
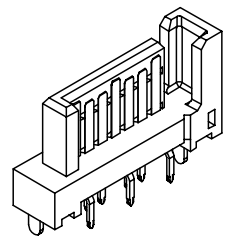
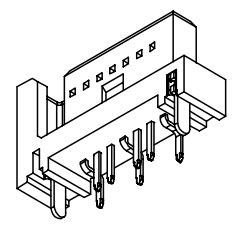
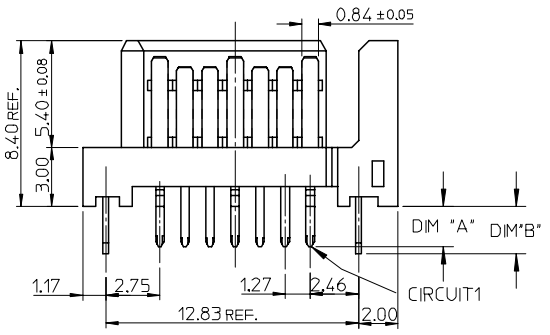
Section B-B



Section C-C



Section A-A



RECOMMENDED P.C.B. LAYOUT t=1.6mm OR 2.0mm

- NOTES:
- MATERIAL :
 ▽ HOUSING: THERMAL PLASTIC, UL94V-0, COLOR: BLACK OR BULE (SEE P/N TABLE)
 TERMINAL/PEG: COPPER ALLOY
 - TERMINAL PLATING :
 CONTACT AREA:
 GOLD PLATED
 SOLDER TAIL:
 1.27 MOICRON MIN. TIN-LEAD OR TIN PLATED
 UNDER PLATE:
 1.27 MOICRON MIN. NICKEL PLATED
 - PEG PLATING:
 1.27 MOICRON MIN. TIN-LEAD OR TIN PLATED
 OVERALL 1.27 MOICRON MIN. TNICKEL UNDER PLATED
 - PACKAGING SPECIFICATION REFER TO PK-67491-001
 - PRODUCT SPECIFICATION REFER TO PS-67491-001
 - MATING PART: 67489
 - RECOMMENDED PROCESS: WAVE SOLDERING

ADD MATERIAL NUMBER EC NO: SH2006-0007 DRWN: JZENG 2005/08/24 CHKD: GRMA 2005/08/26 APPR: YTYAP 2005/08/29	QUALITY SYMBOLS ▽ - 0 ▽ - 0	GENERAL TOLERANCES (UNLESS SPECIFIED)		SCALE 4:1	DESIGN UNITS METRIC	THIRD ANGLE PROJECTION	REVISE ON CAD ONLY	
				DIMENSION STYLE MM ONLY		TITLE 1.27MM HIGH SPEED SERIAL PLUG VERTICLE TYPE		
				DRAWN BY RICHARD		DATE '01/06/21		MATERIAL NO. SEE TABLE
				CHECKED BY VINCENT		DATE '01/06/21		
		DRAFT WHERE APPLICABLE MUST REMAIN WITHIN DIMENSIONS		APPROVED BY ERIC		DOCUMENT NO. SD-67491-002		
				DATE '01/06/21		SHEET NO. 1 OF 2		

THIS DRAWING CONTAINS INFORMATION THAT IS PROPRIETARY TO MOLEX INCORPORATED AND SHOULD NOT BE USED WITHOUT WRITTEN PERMISSION

A3

9 8 7 6 5 4 3 2 1

	10	9	8	7	6	5	4	3	2	1	
	P/N	CONTACT PLATING TYPE	"A"	"B"	PCB THICKNESS	SOLDERING PLATE	COLOR				
F	67491-0030	GOLD FLASH	2.05	2.40	1.60	TIN-LEAD	BLACK				
	67491-0031	0.76 MICRON GOLD PLATED									
	67491-0032	0.38 MICRON GOLD PLATED									
67491-0035	GOLD FLASH	2.35	2.40	2.00							
67491-0036	0.76 MICRON GOLD PLATED										
67491-0037	0.38 MICRON GOLD PLATED										
E	67491-0038	GOLD FLASH	3.00	3.20	2.40						
	67491-0039	0.76 MICRON GOLD PLATED									
	67491-0040	0.38 MICRON GOLD PLATED									
D	67491-1030	GOLD FLASH	2.05	2.40	1.60	PURE TIN	BLACK				
	67491-1031	0.76 MICRON GOLD PLATED									
	67491-1032	0.38 MICRON GOLD PLATED									
	67491-1035	GOLD FLASH	2.35	2.40	2.00						
	67491-1036	0.76 MICRON GOLD PLATED									
	67491-1037	0.38 MICRON GOLD PLATED									
C	67491-1038	GOLD FLASH	3.00	3.20	2.40	PURE TIN	BLUE PENTONE NO.293C △ E<3				
	67491-1039	0.76 MICRON GOLD PLATED									
	67491-1040	0.38 MICRON GOLD PLATED									
	67491-2030	GOLD FLASH	2.05	2.40	1.60						
	67491-2031	0.76 MICRON GOLD PLATED									
	67491-2032	0.38 MICRON GOLD PLATED									
	A	67491-2035	GOLD FLASH	2.35	2.40			2.00			
67491-2036		0.76 MICRON GOLD PLATED									
67491-2037		0.38 MICRON GOLD PLATED									
67491-2038		GOLD FLASH	3.00	3.20	2.40						
67491-2039		0.76 MICRON GOLD PLATED									
	67491-2040	0.38 MICRON GOLD PLATED									

ADD MATERIAL NUMBER EC NO: SH2006-0007 DRWN: JZENG CHKD:GRWA APPR: YTYAP	2005/08/24 2005/08/26 2005/08/29	DESCRIPTION REV	QUALITY SYMBOLS	GENERAL TOLERANCES (UNLESS SPECIFIED)	DIMENSION STYLE	SCALE	DESIGN UNITS	THIRD ANGLE PROJECTION
			▽=0 ∇=0	mm INCH	MM ONLY	4:1	METRIC	
				4 PLACES ± --- ± ---	DRAWN BY DATE	TITLE 1.27MM HIGH SPEED SERIAL PLUG VERTICLE TYPE		
				3 PLACES ± --- ± ---	RICHARD '01/06/21			
	2 PLACES ± 0.15 ± ---	CHECKED BY DATE	MOLEX INCORPORATED					
	1 PLACE ± 0.25 ± ---	VINCENT '01/06/21						
	ANGULAR ± 3 °	APPROVED BY DATE	SD-67491-002					
		ERIC '01/06/21						
		MATERIAL NO.	SEE TABLE					
			DRAFT WHERE APPLICABLE MUST REMAIN WITHIN DIMENSIONS					
			THIS DRAWING CONTAINS INFORMATION THAT IS PROPRIETARY TO MOLEX INCORPORATED AND SHOULD NOT BE USED WITHOUT WRITTEN PERMISSION					
			SIZE A3					
			SHEET NO. 2 OF 2					