

FEATURES

- Made up of durable diecast aluminium
- Finished in stylish looking matt-black colour
- Concealed Fixings
- Professional, matt black finish
- Plastic coated aluminium for increased durability and comfortable grip
- Easy to clean and maintain

RS PRO Matte Black Aluminium Concealed Fixings Drawer Handle, 209mm

RS Stock No.: 237-693



RS Professionally Approved Products bring to you professional quality parts across all product categories. Our product range has been tested by engineers and provides a comparable quality to the leading brands without paying a premium price.

Product Description

Introducing the excellent quality Drawer Handles from RS PRO. These stylish looking handles are made from quality diecast aluminium and plastic coated for increased durability and comfortable grip. Finished in matt black colour are suitable to be used in a wide range of application. Drawer Handles are suitable for concealed fixings and feature M6/M8 thread to ensure ease of fitting and durable mount with just 2 screws. Handle are available in a selection of lengths

General Specifications

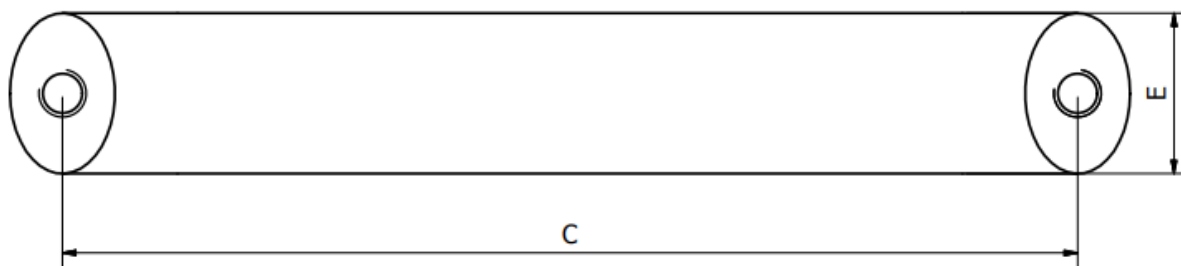
Material	Aluminium
Finish	Matte
Concealed Fixings	Yes
Colour	Black
Application	They can be used as drawer handles or door handles with wooden, metal or any other type of furniture.

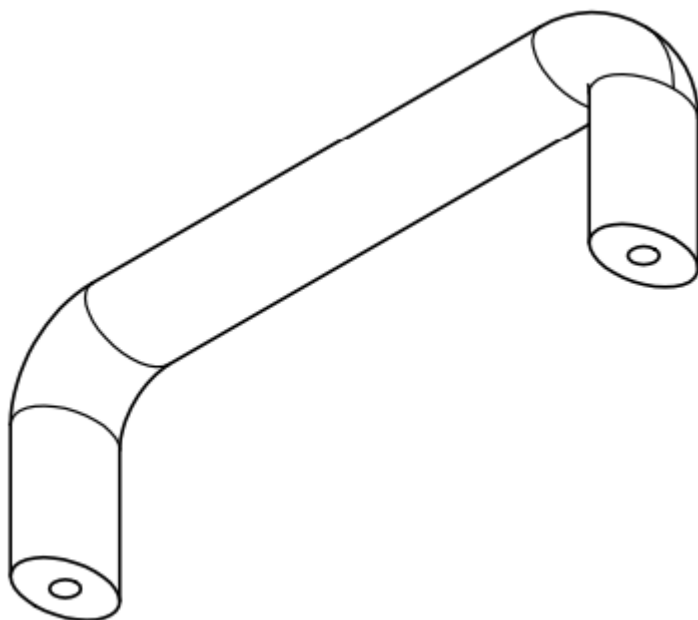
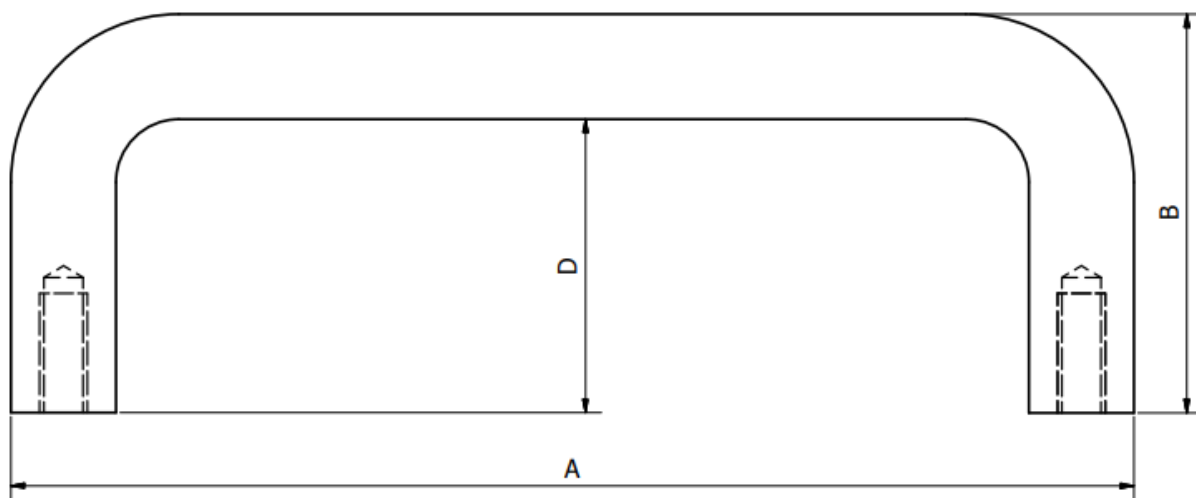
Mechanical Specifications

Length	209mm
Height	57mm
Width	26mm
Fixing Centres	192mm
Thread Type	M8

Approvals

Compliance/Certifications	2011/65/EU and 2015/863
----------------------------------	-------------------------





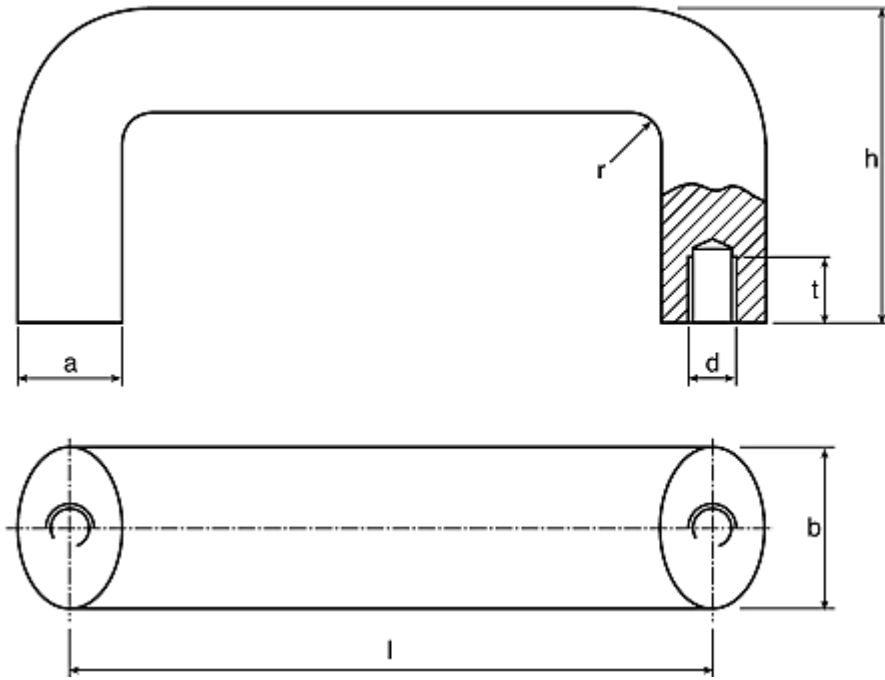


TABLE						
RS Part No	A	B	C	D	E	Thread Spec
237435	113	47	100	33	20	M6
237441	129	53	112	36	26	M8
237463	141	51	128	37	20	M6
237615	177	57	160	38	26	M8
237693	209	57	192	40	26	M8