

SSL-2J04-H05ME

SICK
Sensor Intelligence.



Ordering information

Type	Part no.
SSL-2J04-H05ME	6045287

Other models and accessories → www.sick.com/

Detailed technical data

Technical specifications

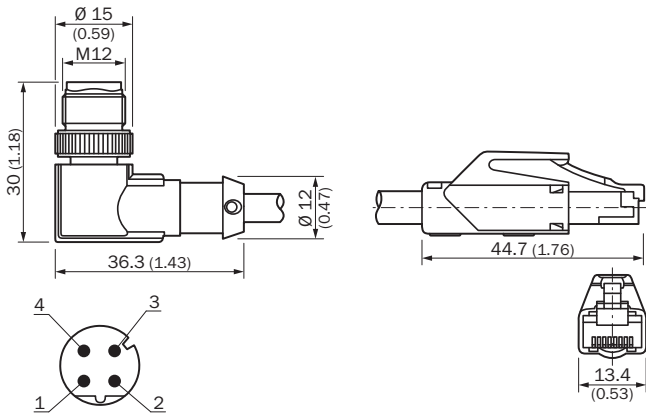
Accessory group	Plug connectors and cables						
Accessory family	Connection cables						
Connection type head A	Male connector, M12, 4-pin, angled, D-coded						
Connection type head B	Male connector, RJ45, 8-pin, straight						
Connector material	TPU						
Locking nut material	Zinc die-cast, nickel-plated						
Cable	5 m, 4-wire, CAT5, CAT5e, PUR, halogen-free						
Jacket material	PUR, halogen-free						
Jacket color	Blue						
Cable diameter	6.4 mm						
Conductor cross-section	2 x 2 x 0.14 mm ²						
Shielding	Shielded						
Bending radius	<table border="0"> <tr> <td style="padding-right: 20px;">Flexible use</td> <td>> 8 x cable diameter</td> </tr> <tr> <td>Stationary position</td> <td>> 4 x cable diameter</td> </tr> </table>	Flexible use	> 8 x cable diameter	Stationary position	> 4 x cable diameter		
Flexible use	> 8 x cable diameter						
Stationary position	> 4 x cable diameter						
Reference voltage	≤ 50 V						
Signal type	Ethernet						
Enclosure rating	IP67 (M12), IP20 (RJ45)						
Description	Head A: male connector, M12, 4-pin, angled, D-coded Head B: male connector, RJ45, 8-pin, straight Cable: PUR, halogen-free, shielded, 2 x 2 x 0.14 mm ² , Ø 6.4 mm						
Ambient operating temperature	<table border="0"> <tr> <td style="padding-right: 20px;">Flexible use</td> <td>-20 °C ... +80 °C</td> </tr> <tr> <td>Stationary position</td> <td>-40 °C ... +80 °C</td> </tr> <tr> <td>Head</td> <td>-25 °C ... +90 °C</td> </tr> </table>	Flexible use	-20 °C ... +80 °C	Stationary position	-40 °C ... +80 °C	Head	-25 °C ... +90 °C
Flexible use	-20 °C ... +80 °C						
Stationary position	-40 °C ... +80 °C						
Head	-25 °C ... +90 °C						

Classifications

ECl@ss 5.0	19030312
ECl@ss 5.1.4	19030312
ECl@ss 6.0	27060304
ECl@ss 6.2	27060304
ECl@ss 7.0	27060304
ECl@ss 8.0	27060304
ECl@ss 8.1	27060304

ECI@ss 9.0	27060304
ETIM 5.0	EC000830
ETIM 6.0	EC000830
UNSPSC 16.0901	26121604

Dimensional drawing (Dimensions in mm (inch))



SICK AT A GLANCE

SICK is one of the leading manufacturers of intelligent sensors and sensor solutions for industrial applications. A unique range of products and services creates the perfect basis for controlling processes securely and efficiently, protecting individuals from accidents and preventing damage to the environment.

We have extensive experience in a wide range of industries and understand their processes and requirements. With intelligent sensors, we can deliver exactly what our customers need. In application centers in Europe, Asia and North America, system solutions are tested and optimized in accordance with customer specifications. All this makes us a reliable supplier and development partner.

Comprehensive services complete our offering: SICK LifeTime Services provide support throughout the machine life cycle and ensure safety and productivity.

For us, that is “Sensor Intelligence.”

WORLDWIDE PRESENCE:

Contacts and other locations –www.sick.com