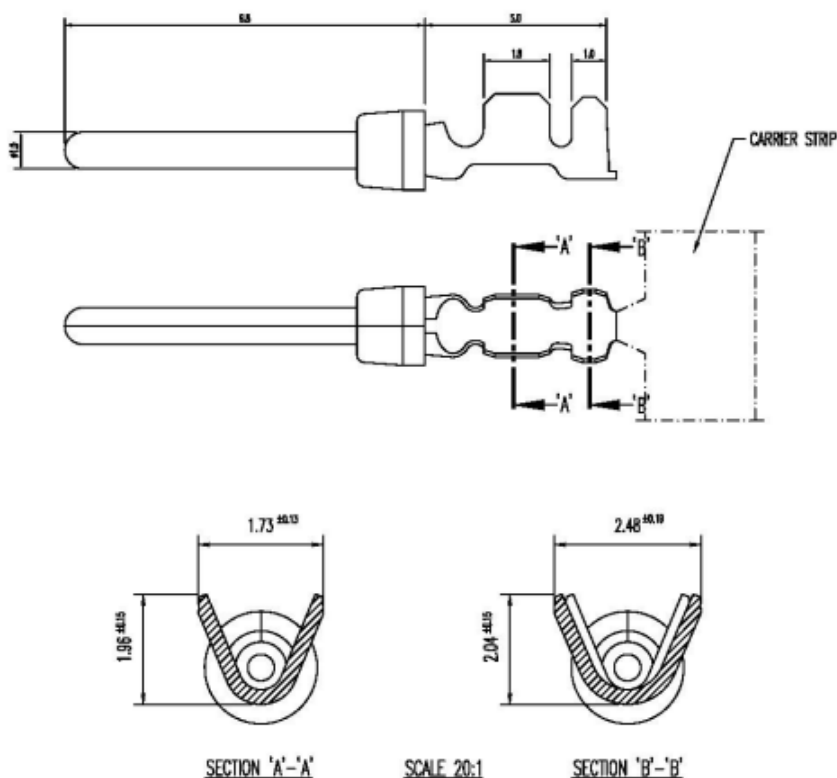


Datasheet

Male Crimp D-sub Connector Contact, Gold over Nickel Plated

RS Stock number [481-140](#)

Dimensions: (mm)



Specifications

- Contact Material: Copper Alloy
- Contact Plating: Gold over Nickel
- Current Rating: 5A
- Gender: Male
- Termination Method: Crimp
- Wire Size 24 → 20 AWG