



Brand of NTN Group

Technical data

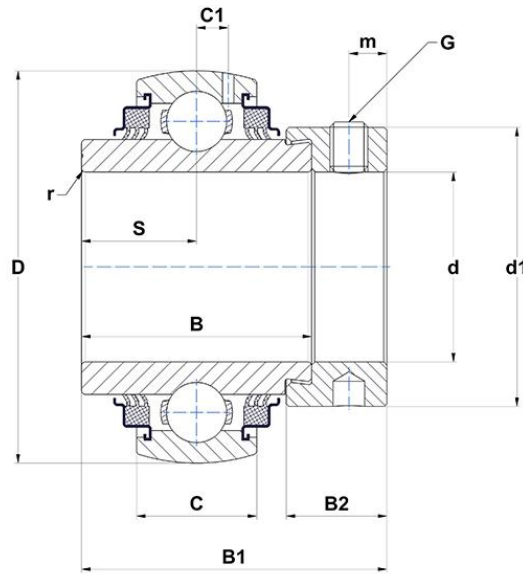
EX205G2L3

Insert bearings



Spherical outer diameter, fixing by eccentric locking collar, triple lip seal

VISUAL (S)



PRODUCT DEFINITION

Brand	SNR
B - Width of Inner Ring	34,8 mm
B1 - Overall width Inner Ring	44,3 mm
B2 - Width of eccentric locking collar/nut	13,5 mm
C - Width of Outer Ring	17 mm
C1 - Distance center of OR to center of lubrication zone	4,3 mm
d - Shaft diameter	25 mm
d1 - Outer dia of eccent. Lock. collar / nut of adapter sleeve	37,4 mm



NTN Europe

1 rue des Usines · BP 2017 · 74010 Annecy Cedex · France · Tel. +33 (0)4 50 65 30 00
S.A. au capital de 322 639 919 € · RCS ANNECY B 325 821 072 · Id. Fiscale : FR 48 325 821 072
SIRET 325 821 072 00015 · Code APE 2815 Z · Code NACE 28.15

PRODUCT DEFINITION

D - Outer diameter of OR	52 mm
G - Set screw size	M6x1
m - Distance to set screw	5 mm
r - Radius Inner Ring	0.6
S - Distance front side/bearing centre	17,4 mm
f0 - Factor	14
SW - Wrench size	3 mm

PRODUCT PERFORMANCE

C - Dynamic load rating	14000000 mN
C0 - Static load rating	7880000 mN
Operating temperature min.	253,15 °K
Operating temperature max.	373,15 °K

OTHER FEATURES

Mass	0,25 kg
Recommended tightening torque for set screw	5.5 N-m

BEARING FREQUENCIES

BPFO - Over rolling frequency on outer ring (60 rpm)	3.58178020565553 Hz
BPFI - Over rolling frequency on inner (60 rpm)	5.41821979434447 Hz
BSF - Over rolling frequency on rolling element (60 rpm)	4.69673855838714 Hz
BRF - Rotational frequency - rolling element (60 rpm)	2.34836927919357 Hz
FTF - Rotational frequency - cage (60 rpm)	0.39797557840617 Hz

