

# issuDOM - MBO - MBE

Exterior accessories - knob or handle

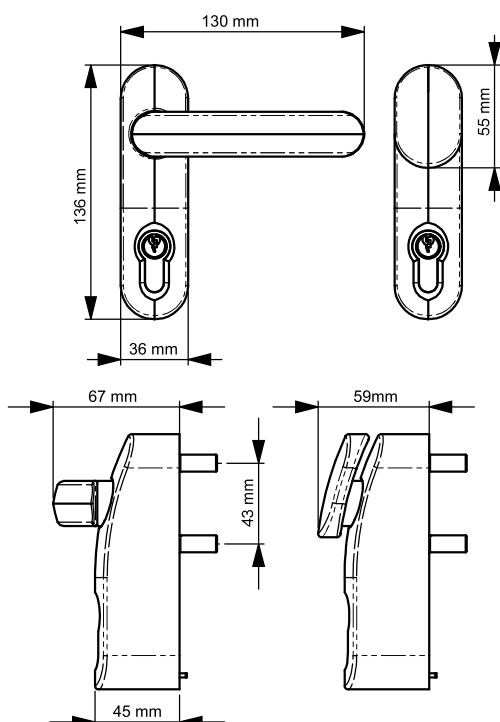


Supplied without cylinder

### Technical features

Type of mounting	Rim lock
Material	Zamak
Entrance	Euro profile
Application	Aluminium, steel, wooden doors, PVC profiles, emergency exit doors, doors for heavy traffic areas
Locking	With key
Reversible	Yes
Material of the cases	Steel/zamak
Protection	Anti-corrosion treatment
Recommended cylinder	Euro profile half cylinder 40 mm
Supplied accessories	Screws

**Design**  
Knob or handle protected against attacks, with emergency function



EXTERIOR ACCESSORIES	FINISH	ARTICLE NUMBER
With knob	White RAL 9016	F2MOBOU0002
With knob	Aluminium tone RAL 9006	F2MOBOU0003
With knob	Black RAL 9005	F2MOBOU0001
With handle	White RAL 9016	F2MOBEQ0002
With handle	Aluminium tone RAL 9006	F2MOBEQ0003
With handle	Black RAL 9005	F2MOBEQ0001

Dimensions in mm