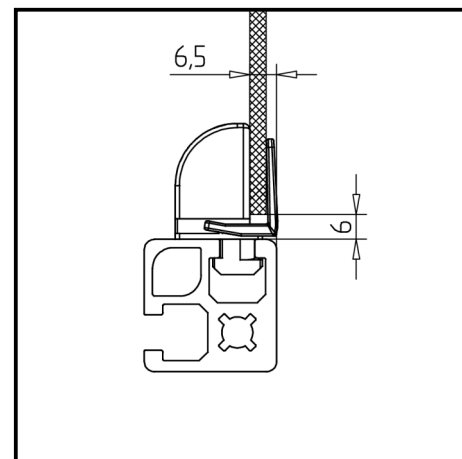
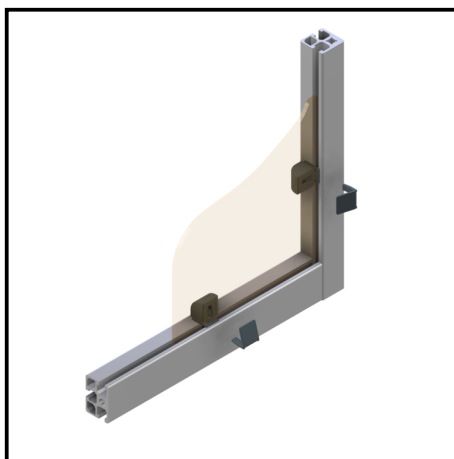
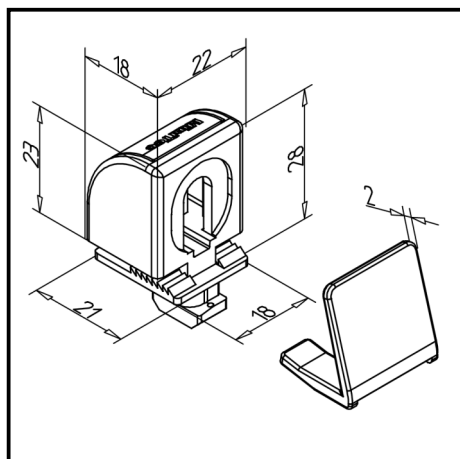


CLAMPING BLOCK 32

Article Nr. 22.1245/0

[See the product on the website →](#)

[Download CAD Files →](#)



TECHN. DATA / ITEMS SUPPLIED

- ABS, Injection Mould, grey
- Weight = 0.008 kg/piece

APPLICATIONS

- Suitable for profile series 45
- Retrofitting surface elements 2 mm to 6 mm thickness
- Circulating air gap 6 mm

ASSEMBLY

- Insert socket into profile groove
- Insert surface elements
- Press on clip
- **Dismounting:** Lift snap-in clip slightly and pull it out