



CGS | CGS RLP73

TE Internal #: 2176049-7

.091 ohm, Surface Mount Low Ohmic Resistor, Thick Film, 0402, .125 W, 1 %, ±400 ppm/°C, Solder, 2 Terminations, .32 mm [.013 in] Height, CGS RLP73

[View on TE.com >](#)

Passive Components > Resistors > Surface Mount Resistors > Thick Film Resistor: Current Sense



Resistance Value: .091 Ω

Resistor Type: Low Ohmic Resistor

Element Type: Thick Film

Package Size Code: 0402

Power Rating: .125 W

[All Thick Film Resistor: Current Sense \(190\)](#)

Features

Product Type Features

Resistor Type	Low Ohmic Resistor
Element Type	Thick Film
Package Size Code	0402

Configuration Features

Number of Resistors	1
---------------------	---

Electrical Characteristics

Resistance Value	.091 Ω
Power Rating	.125 W
Resistance Class	Up to 1kΩ
Passive Component Tolerance	1 %

Termination Features

Surface Mount Resistor Termination Type	Solder
Number of Terminations	2

Dimensions

Product Height	.32 mm[.013 in]
Product Length	1 mm[.039 in]



Product Width	.5 mm[.02 in]
---------------	---------------

Usage Conditions

Temperature Coefficient	±400 ppm/°C
-------------------------	-------------

Packaging Features

Packaging Method	Taped & Reeled
------------------	----------------

Product Compliance

[For compliance documentation, visit the product page on TE.com>](#)

EU RoHS Directive 2011/65/EU	Compliant with Exemptions
EU ELV Directive 2000/53/EC	Compliant with Exemptions
China RoHS 2 Directive MIIT Order No 32, 2016	Restricted Materials Above Threshold
EU REACH Regulation (EC) No. 1907/2006	Current ECHA Candidate List: JAN 2025 (247) Candidate List Declared Against: JUNE 2023 (235) Does not contain REACH SVHC
Halogen Content	Low Halogen - Br, Cl, F, I < 900 ppm per homogenous material. Also BFR/CFR/PVC Free
Solder Process Capability	Reflow solder capable to 260°C

Product Compliance Disclaimer

This information is provided based on reasonable inquiry of our suppliers and represents our current actual knowledge based on the information they provided. This information is subject to change. The part numbers that TE has identified as EU RoHS compliant have a maximum concentration of 0.1% by weight in homogenous materials for lead, hexavalent chromium, mercury, PBB, PBDE, DBP, BBP, DEHP, DIBP, and 0.01% for cadmium, or qualify for an exemption to these limits as defined in the Annexes of Directive 2011/65/EU (RoHS2). Finished electrical and electronic equipment products will be CE marked as required by Directive 2011/65/EU. Components may not be CE marked. Additionally, the part numbers that TE has identified as EU ELV compliant have a maximum concentration of 0.1% by weight in homogenous materials for lead, hexavalent chromium, and mercury, and 0.01% for cadmium, or qualify for an exemption to these limits as defined in the Annexes of Directive 2000/53/EC (ELV). Regarding the REACH Regulation, the information TE provides on SVHC in articles for this part number is based on the latest European Chemicals Agency (ECHA) 'Guidance on requirements for substances in articles' posted at this URL: <https://echa.europa.eu/guidance-documents/guidance-on-reach>

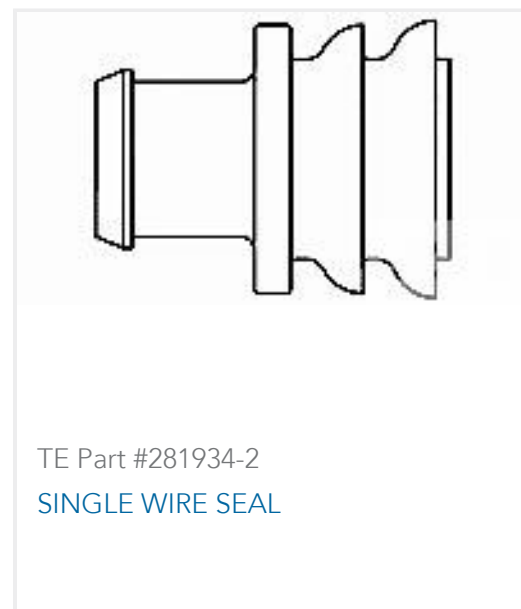
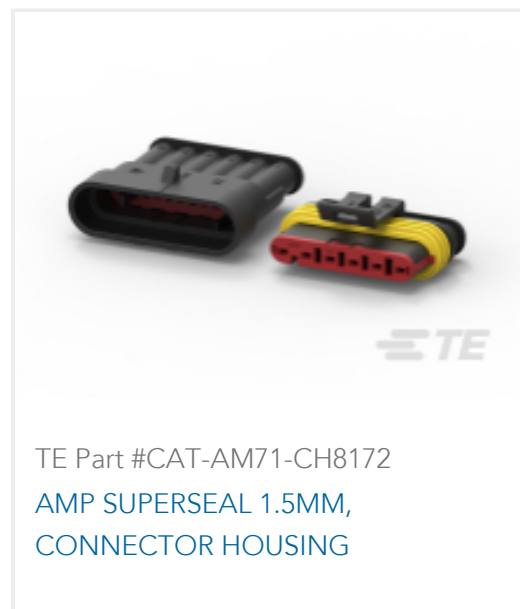
Compatible Parts



Also in the Series | **CGS RLP73**



Customers Also Bought



Documents

Product Drawings
RLP73M 1E R091 1% 1K RL

English

CAD Files

3D PDF

3D



Customer View Model

[ENG_CVM_CVM_2176049-7_BA.2d_dxf.zip](#)

English

Customer View Model

[ENG_CVM_CVM_2176049-7_BA.3d_igs.zip](#)

English

Customer View Model

[ENG_CVM_CVM_2176049-7_BA.3d_stp.zip](#)

English

By downloading the CAD file I accept and agree to the [Terms and Conditions](#) of use.

Datasheets & Catalog Pages

[SMD Low Ohmic Current Sense Resistors - Type RL73 Series](#)

English