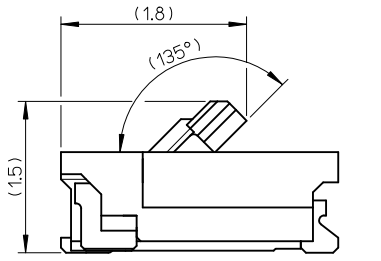
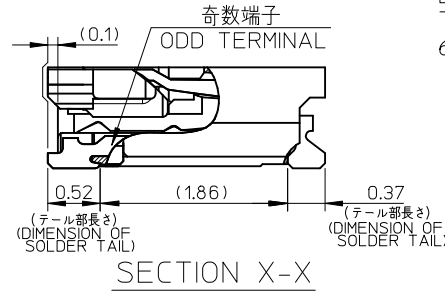
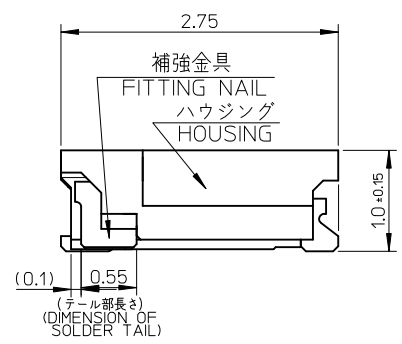
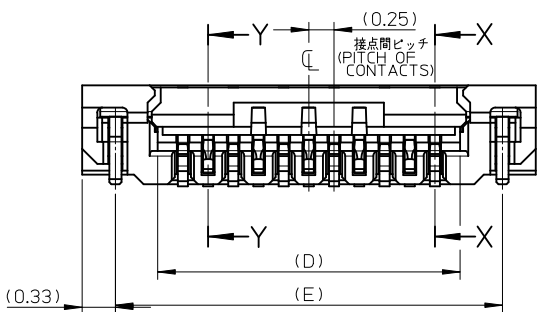
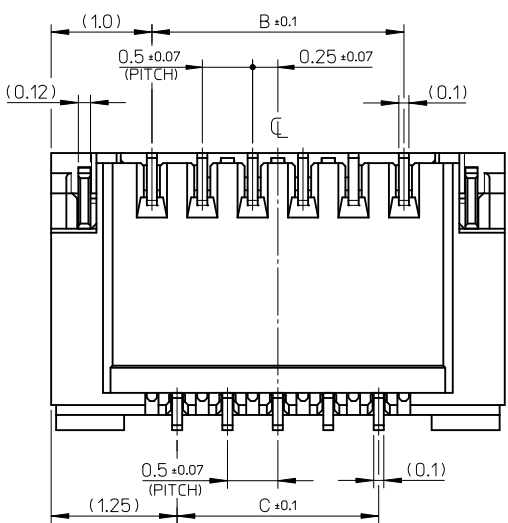


注記 NOTES

1. 使用材料 MATERIALS
    - ハウジング : 耐熱性樹脂(UL94V-0、ベージュ)
    - アクチュエータ : 耐熱性樹脂(UL94HB、黒色)
    - 奇数端子 : 銅合金、ニッケル下地、金メッキ
    - 偶数端子 : 銅合金、ニッケル下地、金メッキ
    - 補強金具 : 銅合金、ニッケル下地、スズメッキ
  - HOUSING : G.F. HEAT RESISTANCE PLASTIC (BEIGE)
  - ACTUATOR : G.F. HEAT RESISTANCE PLASTIC (BLACK)
  - ODD TERMINAL : COPPER ALLOY, Gold OVER Nickel PLATING
  - EVEN TERMINAL : COPPER ALLOY, Gold OVER Nickel PLATING
  - FITTING NAIL : COPPER ALLOY, Tin OVER Nickel PLATING
- △ 端子、補強金具のコプラナリティーは 0.1 以下とする  
COPLANARITY OF SOLDER TAILS AND FITTING NAILS : 0.1MAX.
3. 一般公差: ±0.3  
GENERAL TOLERANCES: ±0.3
  - △ アクチュエータの図示箇所にゲート逃げの凹みがあります  
THERE ARE DENT SHAPES AT ACTUATOR FOR MOLDING GATE
  5. ELV 及び RoHS 適合品  
ELV AND ROHS COMPLIANT
  6. 塩素系・臭素系難燃剤非使用  
CHLORINATED AND BROMINATED FLAME RETARDANTS FREE

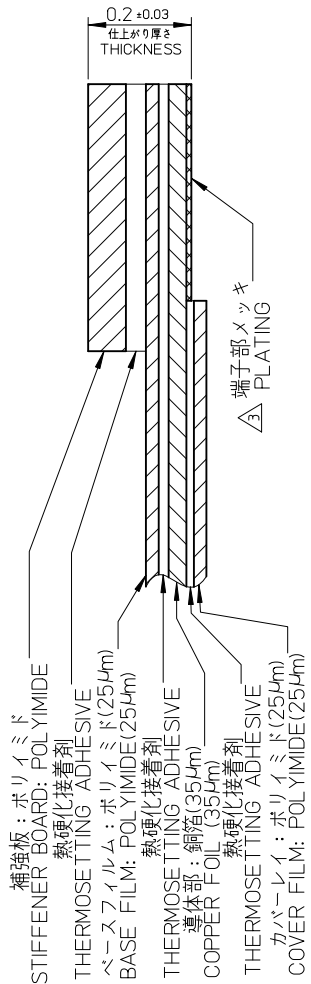


アクチュエータ開放位置  
ACTUATOR OPENING POSITION

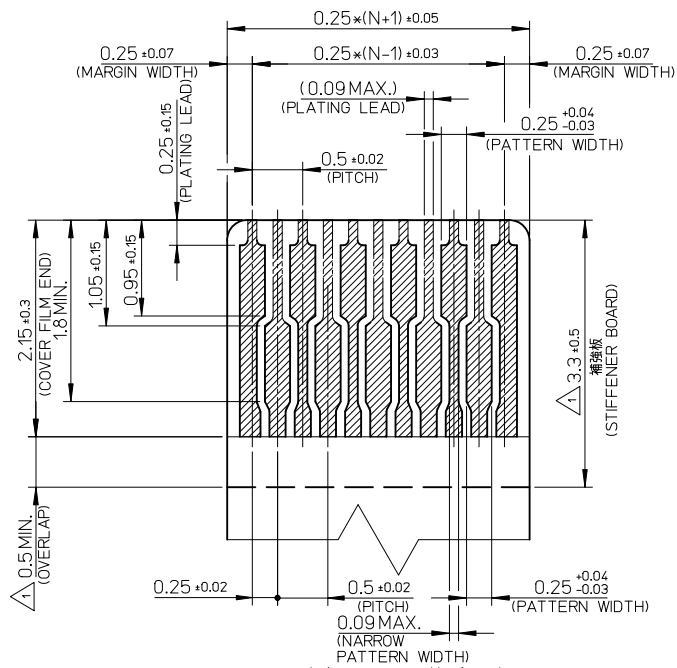


13.84	13	12	12.5	14.5	502078-5110	502078-5118	51
10.84	10	9	9.5	11.5	502078-3910	502078-3918	39
9.34	8.5	7.5	8	10	502078-3310	502078-3318	33
7.34	6.5	5.5	6	8	502078-2510	502078-2518	25
6.34	5.5	4.5	5	7	502078-2110	502078-2118	21
5.34	4.5	3.5	4	6	502078-1710	502078-1718	17
E	D	C	B	A	ORDER NO.	MATERIAL NO.	CKT.=N

REVISED EC NO: J2012-0409 DRAWN: TANAKA 2011/09/21 CHKD: APPR: SHOSHIKAWA 2011/09/30	DESCRIPTION	GENERAL TOLERANCES (UNLESS SPECIFIED)		DIMENSION STYLE	SCALE	DESIGN UNITS	THIRD ANGLE PROJECTION	
				MM ONLY	20:1	METRIC	◎ □	
		10 UNDER	± ---	DRAWN BY	DATE	TITLE		0.25 PITCH FPC CONN E/O HGT=1.0 BTM CONTACT TYPE
		10 OVER 30 UNDER	± ---	YFUJITA	2008/12/15			
30 OVER	± ---	CHECKED BY	DATE	MOLEX INCORPORATED		DOCUMENT NO. SD-502078-003		
ANGULAR	± 1 °	TKANEKO	2008/12/15	SHEET NO. 1 OF 2				
DRAFT WHERE APPLICABLE MUST REMAIN WITHIN DIMENSIONS		APPROVED BY	DATE	THIS DRAWING CONTAINS INFORMATION THAT IS PROPRIETARY TO MOLEX INCORPORATED AND SHOULD NOT BE USED WITHOUT WRITTEN PERMISSION				
		AHORINO	2008/12/15					
		MATERIAL NO.	SIZE					
			A3					



FPC 構成材料例  
EXAMPLE OF FPC COMPOSITION MATERIAL

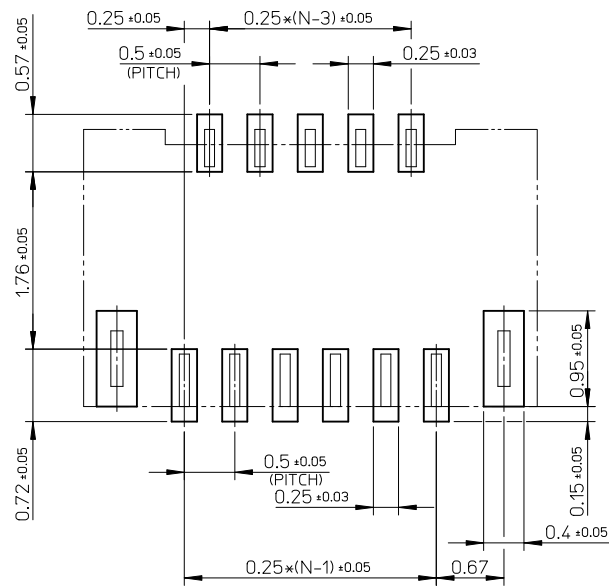


適合するFPC 推奨寸法  
APPLICABLE FPC  
RECOMMENDED DIMENSION

(端子部仕上がり厚さ: 0.2±0.03)  
(THICKNESS: 0.2±0.03)

注記 NOTES

- 補強板長さが図面通り確保できない場合は、カバーレイと補強板のオーバーラップ寸法を 0.5mm 以上としてください  
WHEN STIFFENER BOARD DIMENSION CAN NOT BE SECURED AS DRAWING, PLEASE GIVE THE OVERLAP SIZE OF COVER FILM AND STIFFENER BOARD AS 0.5mm MINIMUM
- 推奨ペースト厚 : 100μm  
推奨マスク開口率 : 80%  
RECOMMEND SCREEN THICKNESS : 100μm  
RECOMMEND SCREEN OPEN RATIO : 80%



FPC挿入側  
FPC INSERION SIDE  
参考基板レイアウト  
RECOMMENDED PCB  
PATTERN DIMENSIONS (REF.)

4 FPCについて (ABOUT FPC)

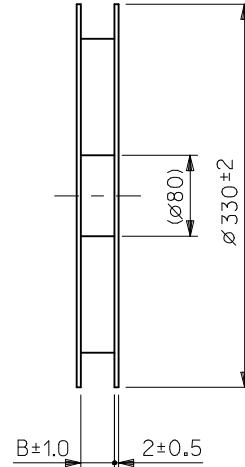
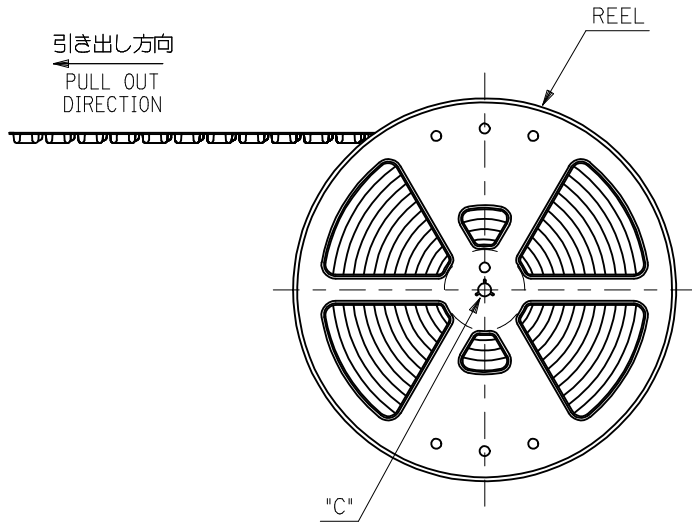
抜き方向は、導体側から補強板側を推奨します  
補強板材質は、ポリイミドを推奨します  
接着剤は熱硬化接着剤を推奨します  
なお、接着剤の接点部への付着は導通不良の原因となりますので染み出しがないよう、お願いします  
RECOMMENDED PUNCHER DIRECTION:  
FROM CONDUCTOR SIDE TO STIFFENER BOARD SIDE  
RECOMMENDED MATERIAL:  
STIFFENER BOARD: POLYIMIDE  
BONDING AGENT: THERMOSETTING AGENT  
PLEASE PUT APPROPRIATE AMOUNT OF ADHESIVE ON THE CONTACT AREA BECAUSE THE EXTRA ADHESIVE MAY CAUSE THE DEFECT IN ELECTRICAL CONTINUITY

REVISED EC NO: J2012-04-09 DRWN: MTANAKA CHKD: APPR: SHOSHIKAWA REV: B	DESCRIPTION 2011/09/21 2011/09/30	GENERAL TOLERANCES (UNLESS SPECIFIED)		DIMENSION STYLE	SCALE	DESIGN UNITS	THIRD ANGLE PROJECTION	
				MM ONLY	20:1	METRIC	☉ □	
		10 UNDER	± ---	DRAWN BY	DATE	TITLE		
		10 OVER 30 UNDER	± ---	YFUJITA	2008/12/15	0.25 PITCH FPC CONN E/O HGT=1.0 BTM CONTACT TYPE		
		30 OVER	± ---	CHECKED BY	DATE			
		APPROVED BY	DATE	MOLEX INCORPORATED				
		MATERIAL NO.	DOCUMENT NO.	SD-502078-003		SHEET NO.		
		DRAFT WHERE APPLICABLE MUST REMAIN WITHIN DIMENSIONS		SEE SHEET 1 OF 2		2 OF 2		
		THIS DRAWING CONTAINS INFORMATION THAT IS PROPRIETARY TO MOLEX INCORPORATED AND SHOULD NOT BE USED WITHOUT WRITTEN PERMISSION						

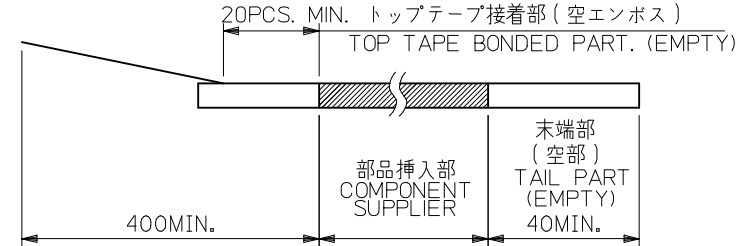
注記 NOTES

- 製品詳細寸法については図面 SD-502078-003 を参照下さい。  
RE DETAILED DIMENSION, SEE SD-502078-003
- 梱包数量：3000 個/リール  
NUMBER OF CONNECTORS : 3000 PCS/REEL
- リードテープ長さ LEAD TAPE LENGTH

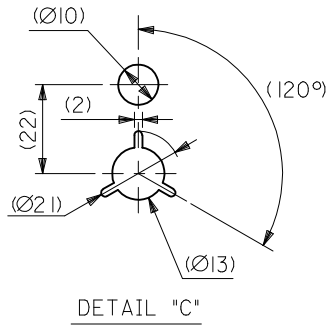
引き出し方向  
PULL OUT  
DIRECTION



引き出し方向  
PULL OUT  
DIRECTION

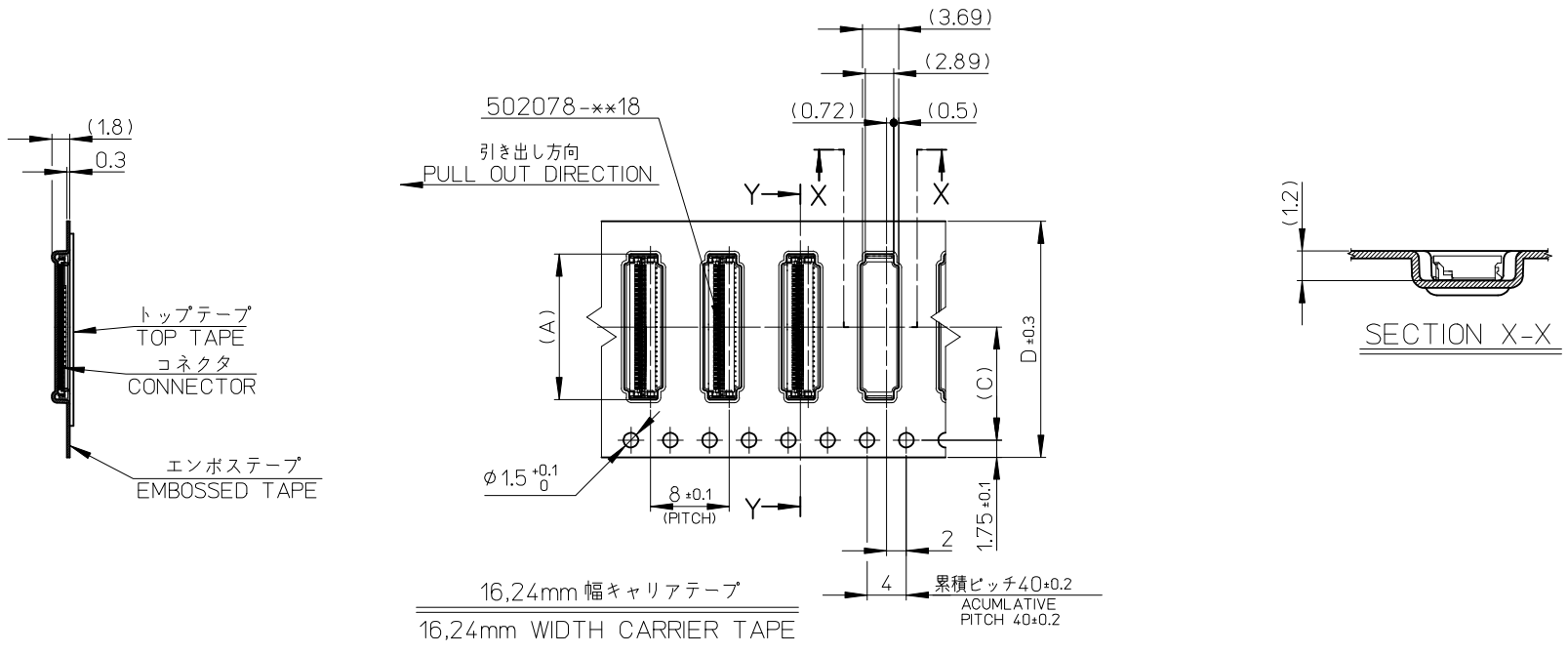


- 材料 MATERIAL  
キャリアテープ (CARRIER TAPE) : ポリスチレン (POLYSTYRENE)  
トップテープ (TOP TAPE) : PET, PE, PEF  
リール (REEL) : ポリスチレン (PS) <リサイクル材を含む>  
POLYSTYRENE (PS) <RECYCLE MATERIAL CONTAINED>



MODEL NO. 502078-\*\*10

RELEASED EC NO.: J2009-1529 DRWN: YFUJITA 2008/12/15 CHKD: TKANEKO 2008/12/15 APPR: TKANEKO 2008/12/15	GENERAL TOLERANCES (UNLESS SPECIFIED)		DIMENSION STYLE MM ONLY	SCALE 1:1	DESIGN UNITS METRIC	THIRD ANGLE PROJECTION
	10 UNDER	±0.2	DRAWN BY YFUJITA	DATE 2008/12/15	TITLE 0.25 FPC CONN E/O HSG ASSY EMBOSSED TAPE PACKAGE	
	10 OVER 30 UNDER	±0.25	CHECKED BY TKANEKO	DATE 2008/12/15	MOLEX INCORPORATED	
	30 OVER	±0.3	APPROVED BY AHORINO	DATE 2008/12/15	DOCUMENT NO. SD-502078-004	
	ANGULAR ±1 °		MATERIAL NO. SEE CHART		SHEET NO. 1 OF 2	
DRAFT WHERE APPLICABLE MUST REMAIN WITHIN DIMENSIONS		THIS DRAWING CONTAINS INFORMATION THAT IS PROPRIETARY TO MOLEX INCORPORATED AND SHOULD NOT BE USED WITHOUT WRITTEN PERMISSION				



24	11.5	25.4	14.8	502078-5110	51
			11.8	502078-3910	39
			10.3	502078-3310	33
			8.3	502078-2510	25
			7.3	502078-2110	21
16	7.5	17.4	6.3	502078-1710	17
D キャリアテープ幅 CARRIER TAPE WIDTH	C	B	(A)	製品番号 MATERIAL NO.	極数 CKT.
			MODEL NO. 502078-**-10		

RELEASED EC NO: J2009-1529 DRWN: YFUJITA 2008/12/15 CHKD: TKANEKO 2008/12/15 APPR: TKANEKO 2008/12/15 REV: 0	DESCRIPTION GENERAL TOLERANCES (UNLESS SPECIFIED) 10 UNDER ±0.2 10 OVER 30 UNDER ±0.25 30 OVER ±0.3 ANGULAR ±1 ° DRAFT WHERE APPLICABLE MUST REMAIN WITHIN DIMENSIONS	DIMENSION STYLE MM ONLY		SCALE 1:1	DESIGN UNITS METRIC	THIRD ANGLE PROJECTION			
		DRAWN BY YFUJITA		DATE 2008/12/15		TITLE 0.25MM FPC CONN E/O HSG ASSY EMBOSSED TAPE PACKAGE			
		CHECKED BY TKANEKO		DATE 2008/12/15		APPROVED BY AHORINO			
		APPROVED BY AHORINO		DATE 2008/12/15		MATERIAL NO. SEE CHART		DOCUMENT NO. SD-502078-004	
		MATERIAL NO. SEE CHART		DATE 2008/12/15		MATERIAL NO. SEE CHART		SHEET NO. 2 OF 2	