

WINSLOW ADAPTICs

Micro Test Clip For IC lead Pitch 0.2mm to 0.5mm

Low-profile Micro Clips

1 M Ω conductor resistance

Body height only 7mm

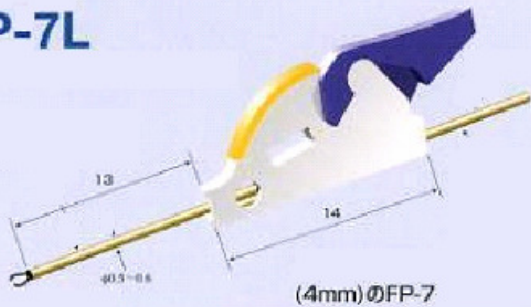


Conductor resistance : Minimum in the world. (1~2m Ω)

Size : Minimum in the world.

Low cost type : LA-1=This product has the best quality in the world and the lowest price.

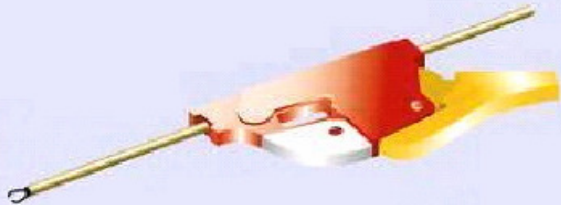
FP-7L



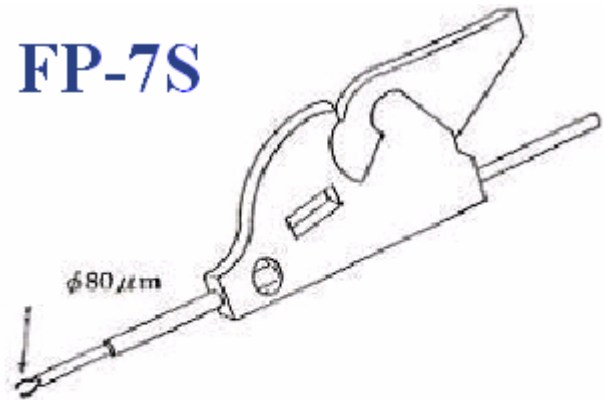
(4mm) ϕ FP-7

FP-7

FP-7LV

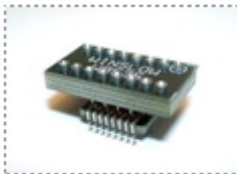


FP-7S



FP-7L, FP-7
FP-7S

1.0MM TO 0.3MM
0.5MM



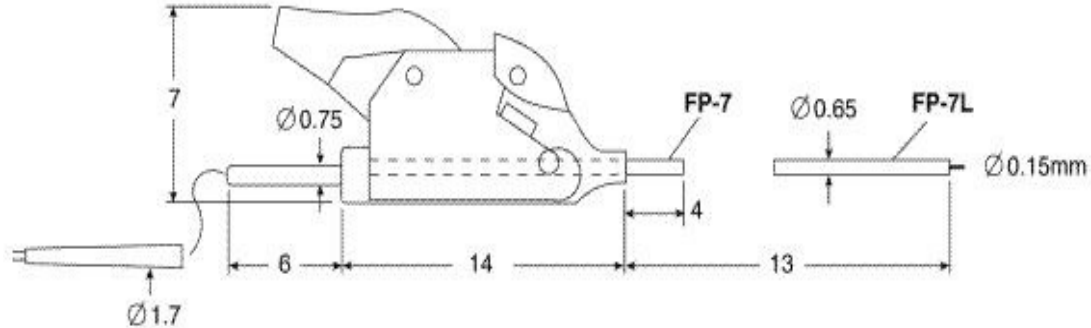
Solutions to Component Leadtime and Obsolescence

sales@winslowadaptics.com

www.winslowadaptics.com

WINSLOW ADAPTICS

Micro Test Clip For IC lead Pitch 0.2mm to 0.5mm



Specification

| | |
|-----------------------------------|---|
| Operating Temp Range: | 0-70°C |
| Conductor Resistance: | (Short probe tip) 1 M Ω |
| Conductor Resistance: | (Long probe tip) 2 M Ω |
| Contact Resistance: | 7 M Ω |
| Suitable Lead Pitch: | 1.25mm-0.3mm |
| Body Height: | 7mm |
| Body Material: | ABS |
| Acceptable Voltage Rating: | +/-40V |
| Rating: | 500 WVDC |
| Bandwidth: | (3db) >100MHz |
| Inductance: | < 1mH @ 1KHz |
| Capacitance: | < 2.0pF @ 1KHz |
| Example Width of Lead: | 0.7mm |
| Material: | Steel wire or stainless steel, nickel-plated |



Solutions to Component Leadtime and Obsolescence

Also available from Winslow Adaptics are cost effective, time saving solutions to test, obsolescence, supply problems and upgrades. OEMs can upgrade equipment with custom Adaptics utilising additional logic, often saving considerable cost and time on re-design. If lead-time becomes an issue contact us for a suitable package converter. We specialise in conversion of all package lead-frames. For further information please contact your nearest sales office

sales@winslowadaptics.com

www.winslowadaptics.com