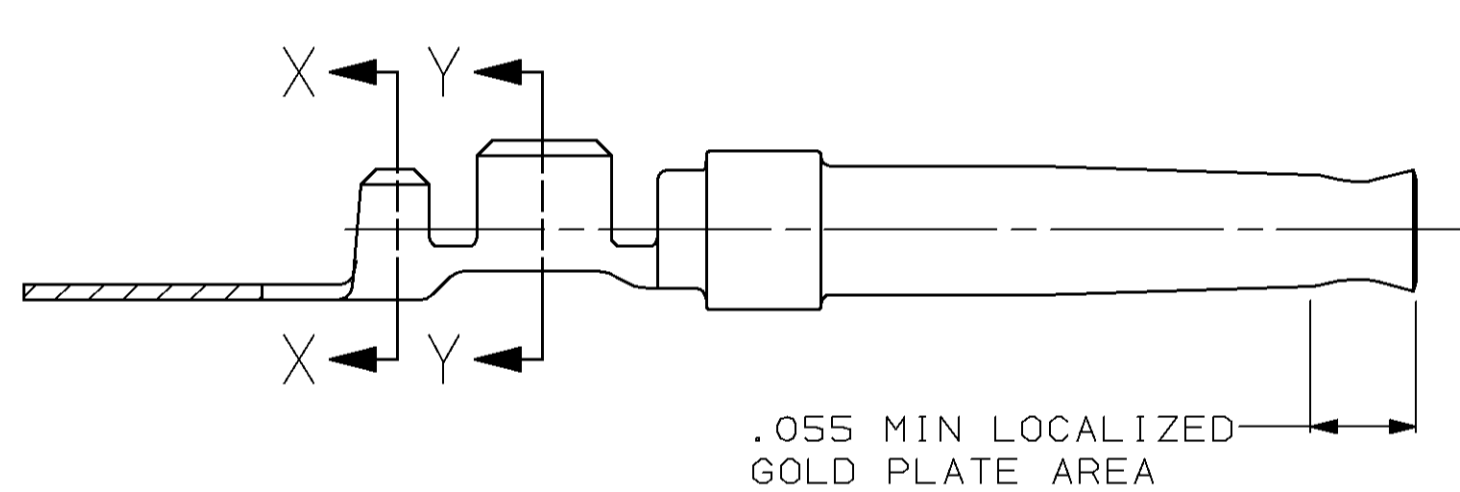
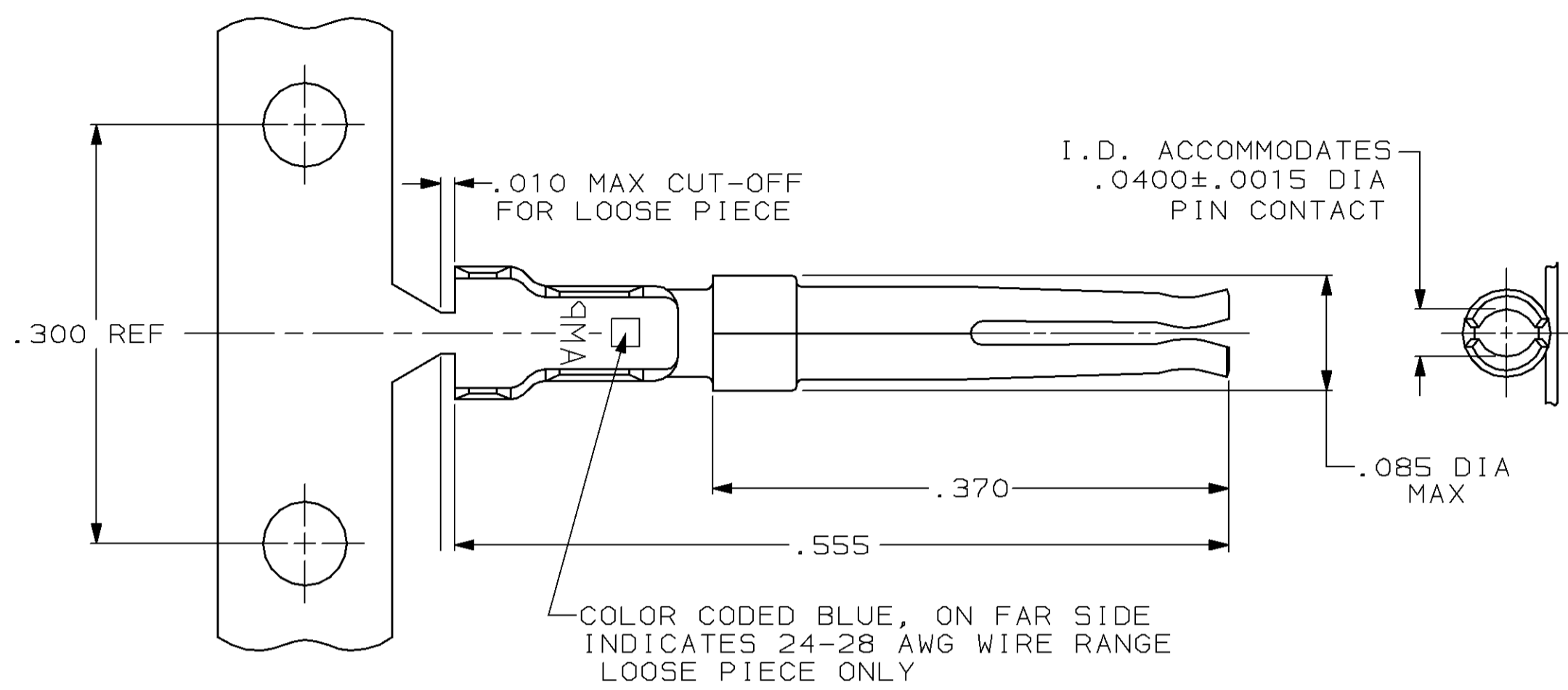


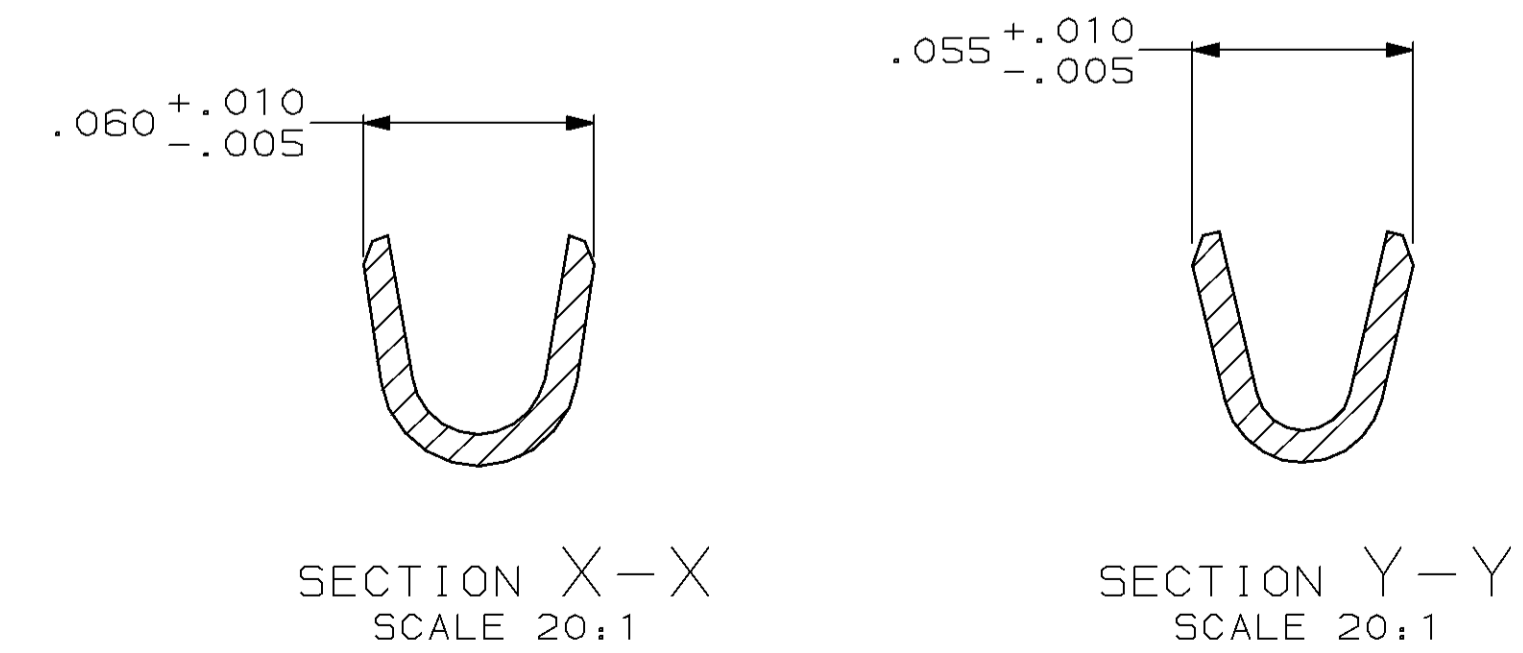
THIS DRAWING IS UNPUBLISHED. RELEASED FOR PUBLICATION, 19
 © COPYRIGHT 19 BY AMP INCORPORATED, HARRISBURG, PA. ALL INTERNATIONAL RIGHTS RESERVED. AMP PRODUCTS MAY BE COVERED BY U.S. AND FOREIGN PATENTS AND/OR PATENTS PENDING.

LOC	DIST	P	F	ZONE	LTR	DESCRIPTION	DATE	APPD
BD	48					AA REV PER EC 0020-272-96	19 JUN 96	LF
						AB ADDED 7--0 PER EC 0020-730-96	20 AUG 96	LF
						AC OBS 1--3, & 5--5 PER EC 0020-524-96	23 AUG 96	LF
						AD REV PER EC 0420-7-96	16 OCT 96	PF



- 1 FOR MINI-APPLICATOR AND STRIPPER CRIMPER.
- 2 FOR HAND TOOL USE ONLY.
- 3 FOR STANDARD APPLICATOR PART #566184 ONLY.
- 4. WIRE RANGE OF 24-28, INSULATION RANGE OF .030-.040.
- 5. GOLD PLATING MAY NOT APPEAR ON CARRIER STRIP.
- 6 GOLD PLATING PER MIL-G-45204, NICKEL PLATING PER QQ-N-290, TIN PLATING PER MIL-T-10727, COPPER PLATING PER MIL-C-14550.
- 7 PLATED WITH .000050 GOLD OVER .000050 NICKEL.
- 8 PLATED WITH .000030 GOLD IN LOCALIZED GOLD PLATE AREA, GOLD FLASH ON REMAINDER, OVER .000050 NICKEL.
- 9 PLATED WITH GOLD FLASH OVER .000030 NICKEL.
- 10 PLATED WITH .000100-.000200 TIN.
- 11 PLATED WITH .000050 GOLD IN LOCALIZED GOLD PLATE AREA, GOLD FLASH ON REMAINDER, OVER .000050 NICKEL.
- 12 PLATED WITH .000015 GOLD IN LOCALIZED GOLD PLATE AREA, GOLD FLASH ON REMAINDER, OVER .000050 NICKEL.
- 13 PLATED WITH GOLD FLASH IN LOCALIZED GOLD PLATE AREA, TIN PLATED WIRE BARRELS, OVER .000030 NICKEL.
- 14 PLATED WITH .000030 GOLD IN LOCALIZED GOLD PLATE AREA, TIN PLATED WIRE BARRELS, OVER .000050 NICKEL.
- 15 AMP ITALY PART NUMBER ONLY.

STANDARD	FINISH	USE	TYPE	PART NUMBER
	14	3	STRIP	7-66505-0
	8	2	LOOSE PIECE	6-66505-9
	14	2	LOOSE PIECE	6-66505-2
	14	1	STRIP	6-66505-0
	13	2	LOOSE PIECE	5-66505-9
	13	1	STRIP	5-66505-7
15 OBSOLETE	12	1	STRIP	5-66505-5
	11	1	STRIP	2-66505-7
	10	1	STRIP	1-66505-4
OBSOLETE	9	3	STRIP	1-66505-3
OBSOLETE	8	3	STRIP	1-66505-2
	9	2	LOOSE PIECE	1-66505-0
	8	2	LOOSE PIECE	66505-9
	7	2	LOOSE PIECE	66505-8
	9	1	STRIP	66505-4
	8	1	STRIP	66505-3
	7	1	STRIP	66505-2



UNLESS OTHERWISE SPECIFIED DIMENSIONS ARE IN INCHES TOLERANCES ON : 2 PL DEC ± - 3 PL DEC ± .005 ANGLES ± -	DR 1-6-87 C.RICHARD	AMP INCORPORATED Harrisburg, Pa. 17105	
	CHK 1-7-87 S.WELDON		
MATERIAL PHOSPHOR BRONZE PER QQ-B-750	APPD 1-7-87 L.BREKOSKY	NAME SOCKET CONTACT, SIZE 20 DF, 24-28 AWG, W/ .030-.040 DIA INSULATION SUPPORT, AMPLIMITE™	
	APPD 1-12-87 V.KUMAR	SIZE C	FSCM NO 00779
FINISH 6 SEE TABLE	PRODUCT SPEC -	DRAWING NO 66505	
	APPLICATION SPEC 114-10000	SCALE 10:1	SHEET 1 OF 1
WEIGHT -			