

## Mod. G7520 - Fittings Series 7000 - Automation

Product code: G7520 8-3/8

Datasheet creation date: 11/12/2025 09:36

Check the most updated document online [click here](#)

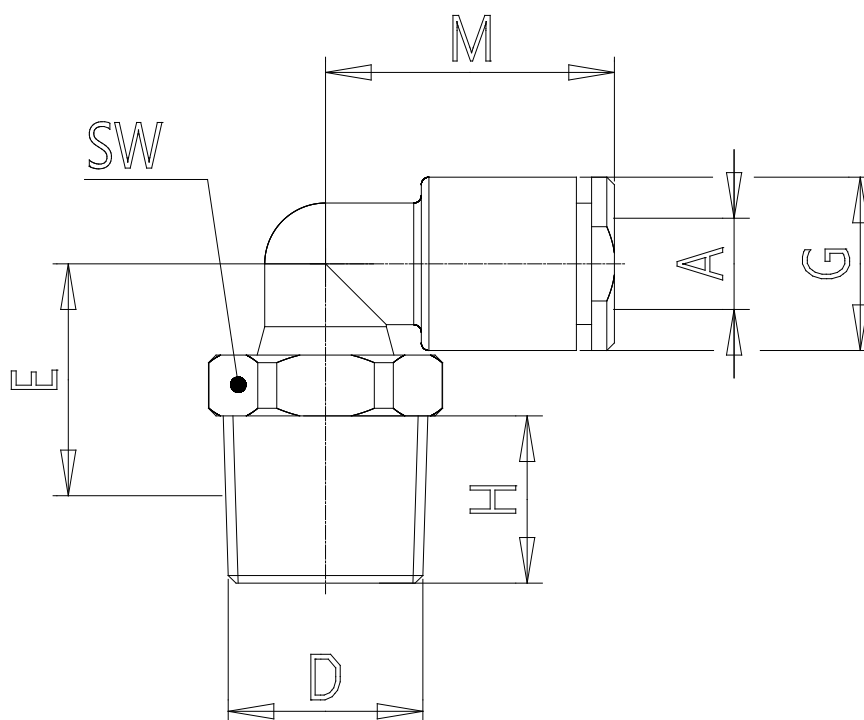


### TECHNICAL DATA

|      |             |
|------|-------------|
| Mod. | G7520 8-3/8 |
|------|-------------|

## Mod. G7520 - Fittings Series 7000 - Automation

Product code: G7520 8-3/8



### DIMENSIONS

|                   |      |
|-------------------|------|
| <b>A (mm)</b>     | 8    |
| <b>D</b>          | R3/8 |
| <b>E (mm)</b>     | 18.5 |
| <b>G (mm)</b>     | 13.7 |
| <b>H (mm)</b>     | 11.5 |
| <b>M (mm)</b>     | 21.5 |
| <b>SW (mm)</b>    | 19   |
| <b>Weight (g)</b> | 21.0 |