



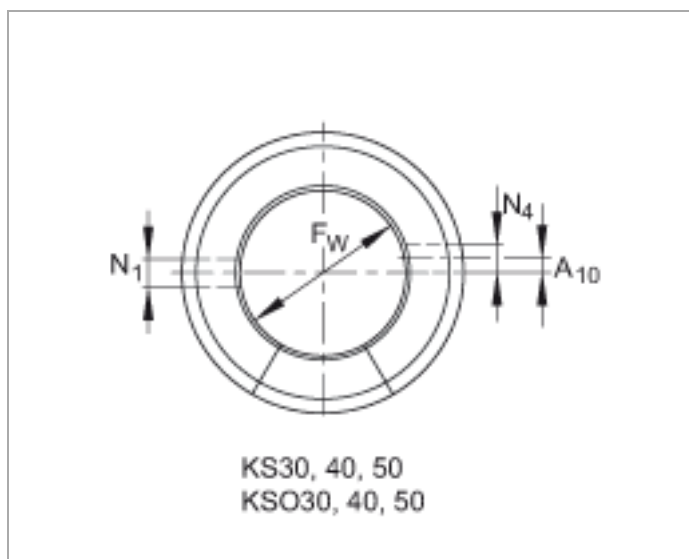
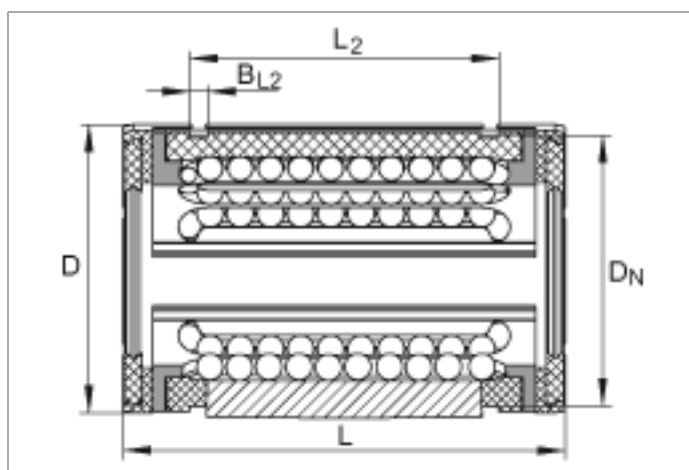
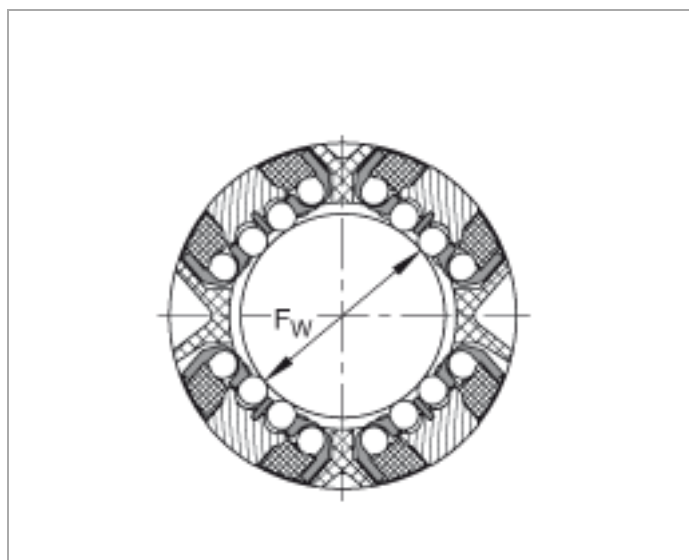
115.111.129.98KS..-PPLinear-Kugellager

Linear ball bearings KS40-PP (Series KS..-PP)

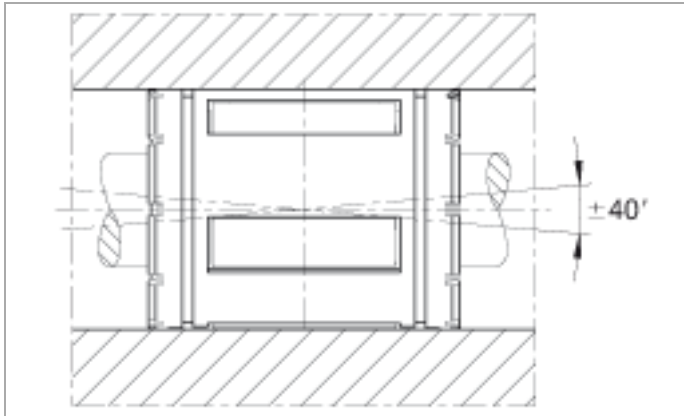
lip seals on both sides

The datasheet is only an overview of dimensions and basic load ratings of the selected product. Please always observe all the guidelines in these overview pages. Further information is given on many products under the menu item "Description". You can also order comprehensive information via the Catalogue ordering system (https://www.schaeffler.de/content.schaeffler.de/en/news_media/index.jsp) or by telephone on +49 (91 32) 82 - 28 97.

F _w	40 mm
D	62 mm
L	80 mm
	8 Number of rows of balls
A ₁₀	1,5 mm
BL ₂	2,15 mm
DN	59,4 mm
L ₂	60,3 mm H13
N ₁	3,5 mm Hole position symmetrical to bearing length L.
N ₄	3 mm Hole position symmetrical to bearing length L.
	With initial greasing, contact seals on both sides.
m	335 g Mass
	The basic load ratings are valid only for hardened (650 HV + 165 HV) and ground shaft raceways.
C _{min}	8800 N Basic dynamic load rating
C ₀	7200 N Basic static load rating
min	
C _{max}	10200 N Basic dynamic load rating
C ₀	9600 N Basic static load rating
max	



Fixing holes



Self-aligning up to $\pm 40'$