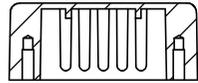


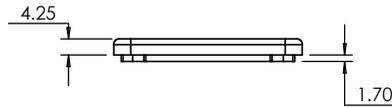
OVERALL ASSEMBLY DIMENSIONS:

EXTERNAL - 101 x 50 x 24.5

INTERNAL - 97.4 x 46.4 x 20.3



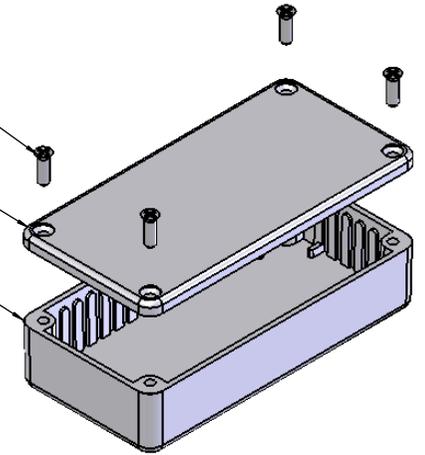
SECTION B-B



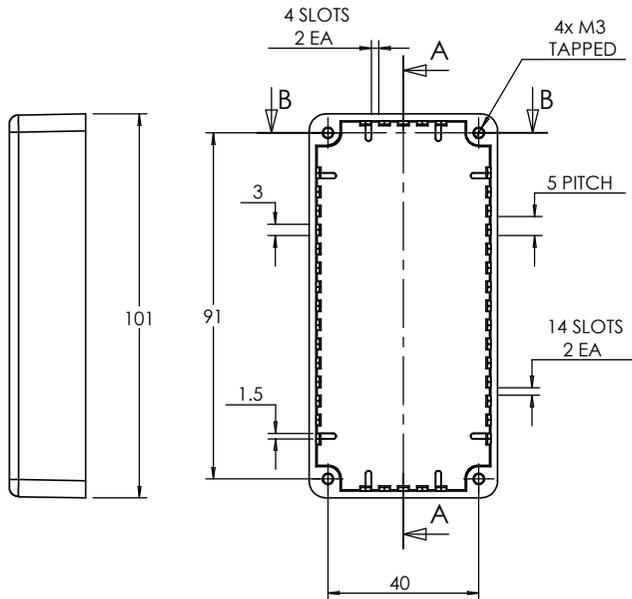
M3 CSK SCREW

LID

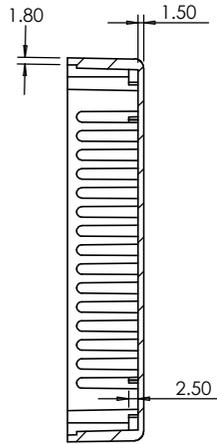
BASE



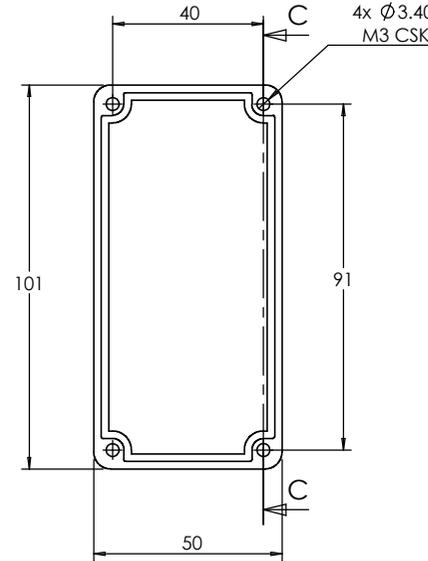
ISO VIEW



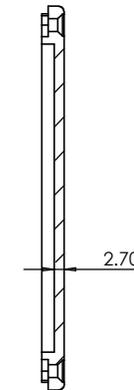
BASE



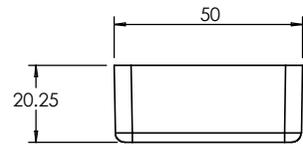
SECTION A-A



SECTION C-C



LID



<p>JAMES CARTER RD. MILDENHALL, SUFFOLK, IP28 7DE          TEL: 01438 716101 FAX: 01438 716554          EMAIL: Sales@CamdenBoss.com          WEB: www.CamdenBoss.com</p>				UNLESS OTHERWISE SPECIFIED: DIMENSIONS ARE IN MILLIMETERS		DO NOT SCALE DRAWING		REVISION. 0	
				FINISH. <b>SMOOTH</b>		TITLE: <b>ASSEMBLY DRG FOR 5002/12</b>			
DRAWN S.HARDINGE		SIGNED SJH	DATE 06/12/05	MATERIAL. DIE-CAST ALUMINIUM		DWG NO. <b>5002,12</b>		A4	
CHK'D -		-	-	PROJECTION.		SCALE. 1 : 2		SHEET 1 OF 1	