

| General technical data: | | |
|-------------------------|----|--------------|
| product brand name | | SIRIUS |
| product designation | | push-in lugs |
| Design of the product | | push-in lugs |
| Ambient temperature | | |
| • during operating | °C | -20...+70 |
| • during storage | °C | -50...+80 |

| Installation/mounting/dimensions: | | |
|-----------------------------------|----|-----|
| Width | mm | 10 |
| Height | mm | 27 |
| Depth | mm | 4.7 |

| Certificates/approvals: | |
|-----------------------------|---------------------|
| Verification of suitability | CE / UL / CSA / CCC |

Test Certificates

Manufacturer

Shipping Approval

| | | | |
|---|---|---|---|
| <input checked="" type="checkbox"/> ABS (American Bureau of Shipping) | <input checked="" type="checkbox"/> GL (Germanischer Lloyd) | <input checked="" type="checkbox"/> LRS (Lloyds Register of Shipping) | [|
|---|---|---|---|

other

| | |
|-------|---|
| other | <input checked="" type="checkbox"/> VDE |
|-------|---|

Further information:
Information- and Downloadcenter (Catalogs, Brochures,...)
<http://www.siemens.com/industrial-controls/catalogs>

Industry Mall (Online ordering system)

<http://www.siemens.com/industrial-controls/mall>

CAX-Online-Generator

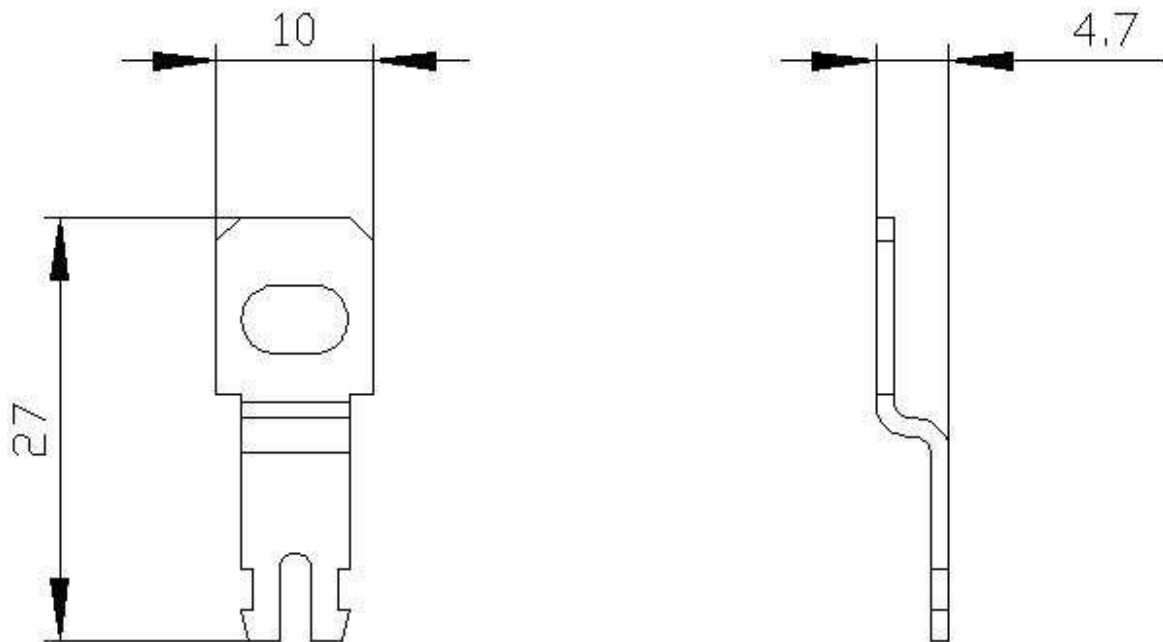
<http://www.siemens.com/cax>

Service&Support (Manuals, Certificates, Characteristics, FAQs,...)

<http://support.automation.siemens.com/WW/view/en/3RV2928-0B/all>

Image database (product images, 2D dimension drawings, 3D models, device circuit diagrams, ...)

http://www.automation.siemens.com/bilddb/cax_en.aspx?mfb=3RV2928-0B



last change:

Feb 6, 2012