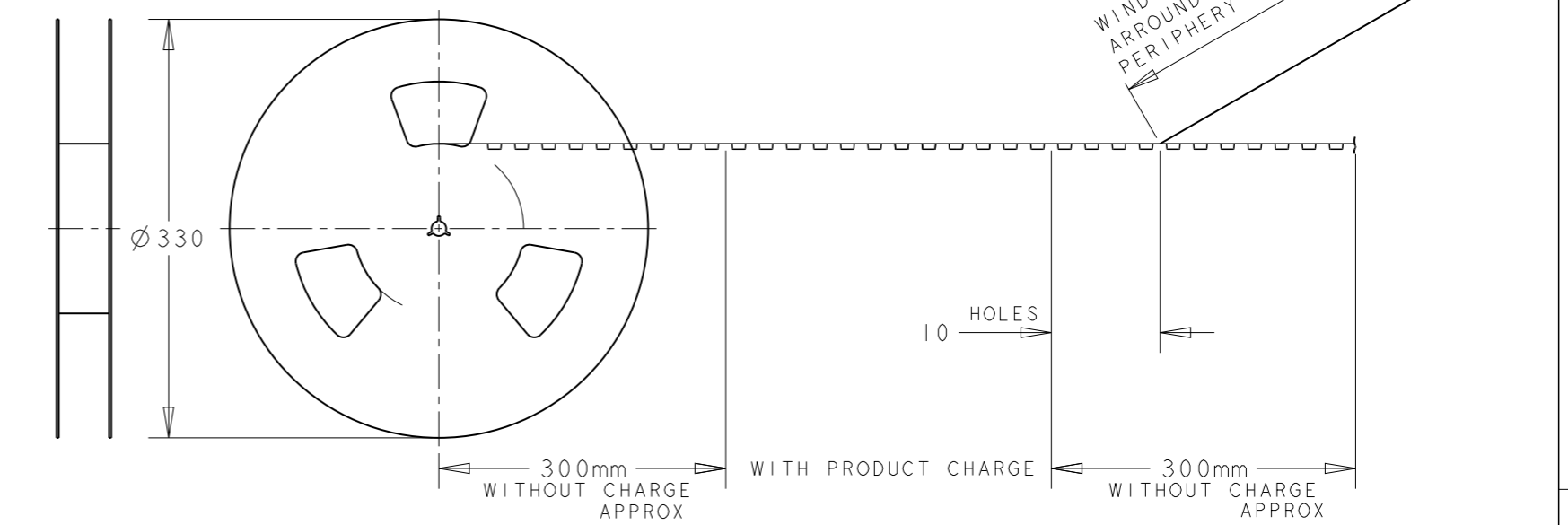
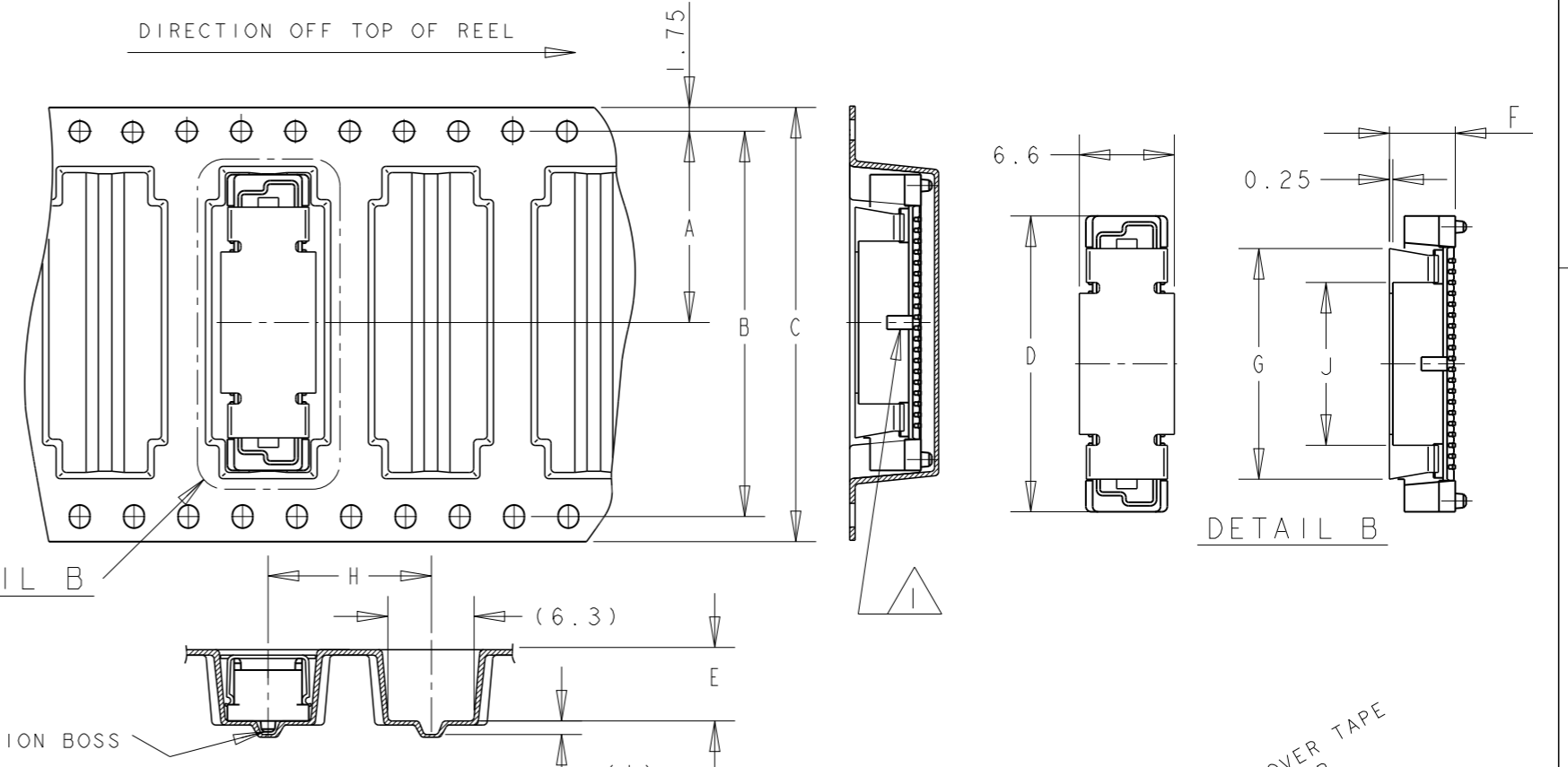


Notes:

1 CUTOUT FEATURE AVAILABLE ONLY ON 5H ASSY P/N -1 (40P) AND -2 (60P).

2 0.00038 MIN GOLD PLATING (15u INCHES GOLD PLATING)

HT	J	H	G	F	E	D	C	B	A	POS	CONN	P/N	PART NO.	
450		16				61.8	88	84.4	42.2	140	1-	-6	7-	-6
						53.8				120	1-	-5	7-	-5
700	7H	12	6.85	7.25	21.8	32	28.4	14.2	40	1-5179030-1	7-5177986-1			
						69.8				160		-8	6-	-8
						61.8	88	84.4	42.2	140		-6	6-	-6
550		16				53.8				120		-5	6-	-5
						45.8	72	68.4	34.2	100		-4	6-	-4
						37.8	56	52.4	26.2	80		-3	7-	-3
800	6H	12	5.85	6.25	21.8	32	28.4	14.2	40	5084615-1	6-5177986-1			
						69.8				160		-8	5-	-8
						61.8	88	84.4	42.2	140		-6	5-	-6
650		16				53.8				120		-5	5-	-5
						45.8	72	68.4	34.2	100		-4	5-	-4
						37.8	56	52.4	26.2	80		-3	5-	-3
900	5H	12	4.85	5.25	21.8	32	28.4	14.2	40	5084614-1	5-5177986-1			
						69.8				160		-8	5-	-8
						61.8	88	84.4	42.2	140		-6	5-	-6
450	7H	12	6.85	7.25	53.8	72	68.4	34.2	120	3-5179030-5	4-5177986-5			
						85.8				200	1-	-0	4-	-0
						77.8	104	100.4	50.2	180		-9	3-	-9
						69.8				160		-8	3-	-8
						61.8	88	84.4	42.2	140		-6	3-	-6
						53.8				120		-5	3-	-5
400		16				45.8	72	68.4	34.2	100		-4	3-	-4
						37.8	56	52.4	26.2	80		-3	3-	-3
						29.8	44	40.4	20.2	60		-2	3-	-2
600	8H	12	7.85	8.25	21.8	32	28.4	14.2	40	5179031-1	3-5177986-1			
						85.8				200	1-	-0	3-	-0
						77.8	104	100.4	50.2	180		-9	2-	-9
						69.8				160		-8	2-	-8
						61.8	88	84.4	42.2	140		-6	2-	-6
						53.8				120		-5	2-	-5
450		16				45.8	72	68.4	34.2	100		-4	2-	-4
						37.8	56	52.4	26.2	80		-3	2-	-3
						29.8	44	40.4	20.2	60		-2	2-	-2
700	7H	12	6.85	7.25	21.8	32	28.4	14.2	40	5179030-1	2-5177986-1			
						61.8	88	84.4	42.2	140		-6	1-	-6
						53.8				120		-5	1-	-5
550		16				45.8	72	68.4	34.2	100		-4	1-	-4
						37.8	56	52.4	26.2	80		-3	1-	-3
						29.8	44	40.4	20.2	60		-2	1-	-2
800	6H	12	5.85	6.25	21.8	32	28.4	14.2	40	5179029-1	1-5177986-1			
						69.8				160		-8		-8
						61.8	88	84.4	42.2	140		-6		-6
						53.8				120		-5		-5
650		16				45.8	72	68.4	34.2	100		-4		-4
						37.8	56	52.4	26.2	80		-3		-3
						29.8	44	40.4	20.2	60		-2		-2
900	5H	12	4.85	5.25	21.8	32	28.4	14.2	40	5177984-1	5177986-1			
						69.8				160		-8		-8
						61.8	88	84.4	42.2	140		-6		-6
						53.8				120		-5		-5
						45.8	72	68.4	34.2	100		-4		-4
						37.8	56	52.4	26.2	80		-3		-3
						29.8	44	40.4	20.2	60		-2		-2



THIS DRAWING IS A CONTROLLED DOCUMENT FOR AMP INCORPORATED. IT IS SUBJECT TO CHANGE AND THE CONTROLLING ENGINEERING ORGANIZATION SHOULD BE CONTACTED FOR THE LATEST REVISION.		DWN: 30AUG04 FLORENCE TAN	Tyco Electronics Singapore	
DIMENSIONS: mm		CHK: ERIC TNG	NAME: PLUG ASSEMBLY (0.5 BOSS LENGTH) FOR FH 0.8 B-T-B CONN. ON TAPING	
TOLERANCES UNLESS OTHERWISE SPECIFIED: 0 PLC ±0.3 1 PLC ±0.25 2 PLC ±0.2 3 PLC ±0.2 4 PLC ±0.2 ANGLES ±3°		APVD: SE LEONG	PRODUCT SPEC: 108-5390	
MATERIAL: -		FINISH: -	APPLICATION SPEC: 114-5254	
WEIGHT: -		SIZE: A3		CAGE CODE: 00779
CUSTOMER DRAWING		DRAWING NO: 5177986		SCALE: 2:1
		SHEET 1 OF 1		REV E