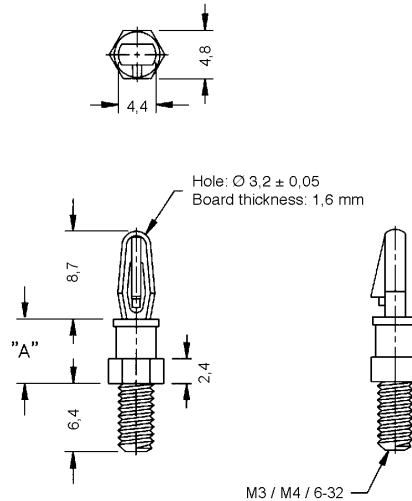


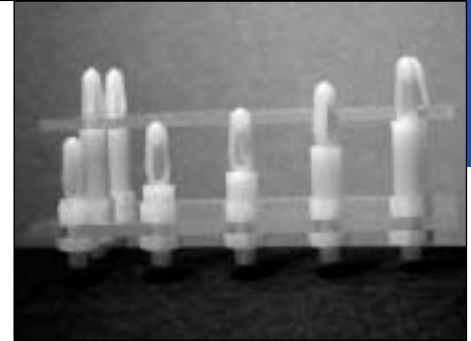
CIRCUIT BOARD HARDWARE

A

UNC 6-32 Thread Part No.			"A" mm
SCBSM-632-2-01	MSCBST-M3-Series	MSCBST-M4-Series	3.2
SCBSM-632-3-01			4.8
SCBSM-632-4-01			6.4
SCBSM-632-5-01			7.9
SCBSM-632-6-01			9.5
SCBSM-632-7-01			11.1
SCBSM-632-8-01			12.7
SCBSM-632-9-01			4.3
SCBSM-632-10-01			15.9



Material: Nylon 6/6 - natural; UL 94 V-2, RMS-01
or
Nylon 6/6 - natural; UL 94 V-0, RMS-19
Std. Pk.: 1.000 pcs.



SCBSM/MSCBSM

STUDED CIRCUIT BOARD SUPPORT,
MINIATURE

Note:

SCBSM	632	5	01
Part	Thread	Length	Material Code

Note:

MSCBSM	M3	5	01
Part	Thread	Length	Material Code