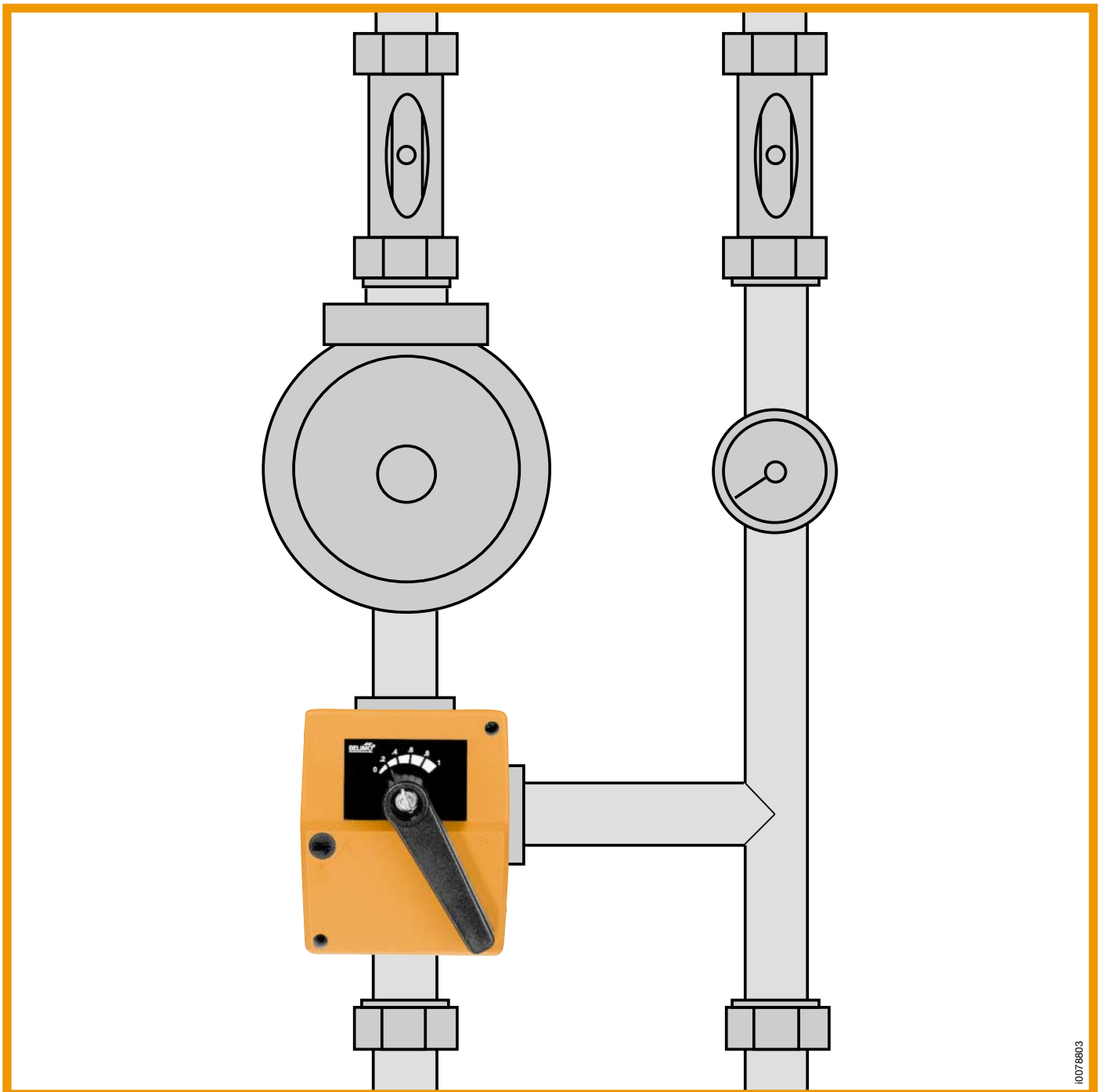


**5. NR-3**  
**Product Information**  
**Slipper valve rotary actuators**

NR



## Rotary-action control devices for applications involving water

### 5.NR-... Rotary actuators for slipper valves



- for slipper valves up to DN80
- for 3-point or modulating control

#### Suitable slipper valves:

ESBE, Termonix, Pommerening, Dumserwerk, Lovato, Landis & Staefa, Lazzari, Oventrop, Meibes, Wita, Holter, Satchwell, Centra... and others.

### 5.R-... Control ball valves, Open/Close ball valves and rotary actuators

10368004



- Control ball valves DN15...DN50**
- with equal-percentage characteristic
  - for modulating control



- Open/Close ball valves DN15...DN50**
- for shutoff or changeover functions

#### Rotary actuators

- for Open/Close, 3-point or modulating control

### Note

#### Using Belimo slipper valve actuators

The actuators listed in this catalogue are intended for the operation of slipper valves in HVAC systems.

#### Torque requirements

When calculating the torque required to operate slipper valves, it is essential to take into account all the data supplied by the slipper valve body manufacturer.

### Danger

#### NR24-T, NR230-T / page 4:

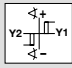
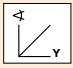








If an auxiliary switch will be mounted it is important to remember that no more than 50 mm of insulation should be stripped back on the auxiliary switch lead.

#### NR24-S, NR230-S / pages 6, 7:

The motor lead cannot be replaced. If it becomes damaged a new length of cable must be fitted and attached through the cable gland. No more than 50 mm of insulation should be stripped back.

If the auxiliary switch lead needs to be replaced it is important to remember that no more than 50 mm of insulation should be stripped back.

## Selection table

Types with control:		3-point 				modulating 			
<b>Slipper valves actuators NR...:</b>									
Torque	10 Nm	•	•	•	•	•	•	•	•
Nominal voltage	AC 24 V 50/60 Hz	•	•			•		•	•
	DC 24 V							•	•
	AC 230 V 50/60 Hz			•	•		•		
Running time	140 s	•		•		•	•	•	
	280 s		•		•				•
1 Auxiliary switch adjustable, potential-free						•	•		
Position feedback	DC 2...10 V							•	•
Manual operation	temporary	•	•	•	•	•	•	•	•
	permanent	•	•	•	•	•	•	•	•
Connection	Screw terminals	•	•	•	•			•	•
	Cable 1 m					•	•		

Other types (3-point or modulating) available on request, with:

- Connection cables / plug
- 5 Nm torque
- 70 s running time
- Angle of rotation up to 180°

### Slipper valve actuators, 3-point

<b>NR24-T, NRL24-T</b>	<b>4</b>
<b>NR230-T, NRL230-T</b>	<b>5</b>
<b>NR24-S</b>	<b>6</b>
<b>NR230-S</b>	<b>7</b>

### Slipper valve actuators, modulating

<b>NR24-SR-T, NRL24-SR-T</b>	<b>8</b>
------------------------------	----------

### Accessories / Mounting instruction

<b>Accessories</b>	<b>9</b>
<b>Mounting instruction</b>	<b>10</b>



p0054003

**For slipper valves up to DN80**  
**Open/Close actuator (AC 24 V)**  
**3-point control**

### Application

The NR(L)24-T is a compact actuator for motorising the most popular types of slipper valves in HVAC plants.

### Operation

The actuator can be operated by any controller with a 3-point output.

### Product features

**Simple direct mounting** to the slipper valve spindle by universal or customised spindle clamp. An anti-rotation bolt is supplied with the actuator. The mounting position can be chosen in steps of 90°.

**Angle of rotation is limited to 90°.** When the actuator reaches either end position, the voltage supply is interrupted by limit switches.

**Manual operation** by lever (press for temporary disengagement, permanent gearing disengagement by rotary switch on the housing cover to the manual position), for details see page 10.

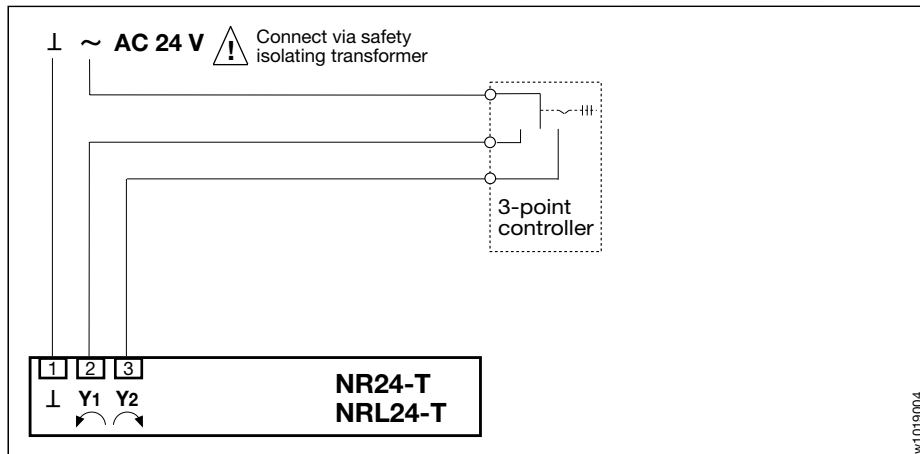
### Electrical accessories

Auxiliary switch SNR, SNR2

### Mechanical accessories

Linkage kits for ESBE, Termomix, Pommerening, Dumserwerk, Lovato, Landis & Staefa, Lazzari, Oventrop, Meibes, Wita, Holter, Satchwell and Centra slipper valves.

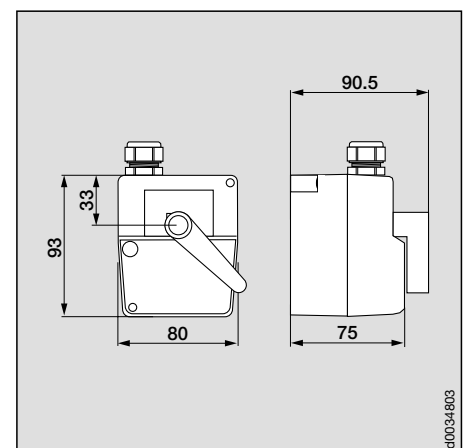
### Wiring diagram



wf1019004

Technical data	NR24-T	NRL24-T
Nominal voltage	AC 24 V	50/60 Hz
Nominal voltage range	AC 19.2...28.8 V	
For wire sizing	1.5 VA	
Power consumption	1.5 W	
Connection	screw type terminals	
Direction of rotation	selectable by wiring	
Manual operating	Temporary and permanent gearing disengagement by rotary switch on housing	
Torque	min. 10 Nm (at rated voltage)	
Angle of rotation	electrically limited to 90°	
Running time	140 s	280 s
Sound power level	max. 35 dB (A)	
Position indication	reversible scale 0...1	
Mounting position	any, except actuator hanging beneath valve	
Protection class	⚡ (safety low voltage)	
Degree of protection	IP 40	
Ambient temperature range	0 °C... + 50 °C	
Temperature of medium	+ 5°... + 120 °C (slipper valve body)	
Non-operating temperature	- 30 °C... + 80 °C	
Humidity test	to EN 60730-1	
EMC	CE according to 89/336/EEC	
Mode of operation	Type 1	
Maintenance	maintenance-free	
Weight	0.4 kg	

### Dimensions



d0034603



**For slipper valves up to DN80**  
**Open/Close actuator (AC 230 V)**  
**3-point control**

### Application

The NR(L)230-T is a compact actuator for motorising the most popular types of slipper valves in HVAC plants.

### Operation

The actuator can be operated by any controller with a 3-point output.

### Product features

**Simple direct mounting** to the slipper valve spindle by universal or customised spindle clamp. An anti-rotation bolt is supplied with the actuator. The mounting position can be chosen in steps of 90°.

**Angle of rotation is limited to 90°.** When the actuator reaches either end position, the voltage supply is interrupted by limit switches.

**Manual operation** by lever (press for temporary disengagement, permanent gearing disengagement by rotary switch on the housing cover to the manual position), for details see page 10.

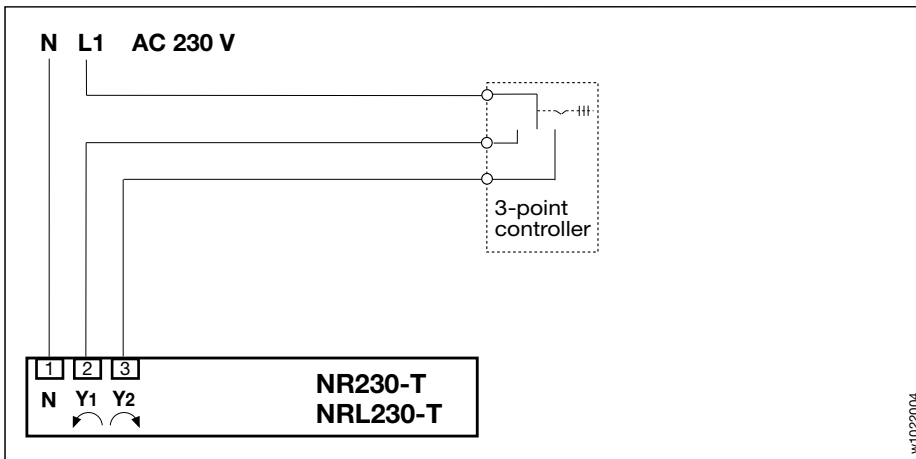
### Electrical accessories

Auxiliary switch SNR, SNR2

### Mechanical accessories

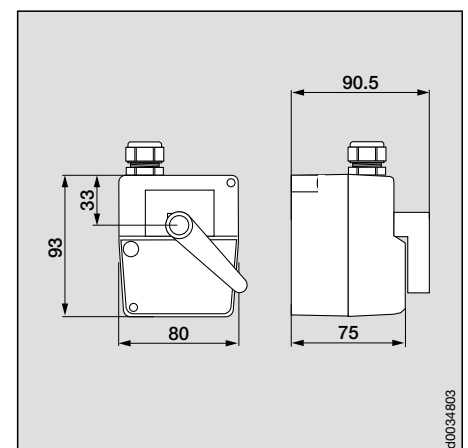
Linkage kits for ESBE, Termomix, Pommerening, Dumserwerk, Lovato, Landis & Staefa, Lazzari, Oventrop, Meibes, Wita, Holter, Satchwell and Centra slipper valves.

### Wiring diagram



Technical data	NR230-T	NRL230-T
Nominal voltage	AC 230 V 50/60 Hz	
Nominal voltage range	AC 198...264 V	
For wire sizing	3.5 VA	
Power consumption	3.5 W	
Connection	screw type terminals	
Direction of rotation	selectable by wiring	
Manual operating	Temporary and permanent gearing disengagement by rotary switch on housing	
Torque	min. 10 Nm (at rated voltage)	
Angle of rotation	electrically limited to 90°	
Running time	140 s	280 s
Sound power level	max. 35 dB (A)	
Position indication	reversible scale 0...1	
Mounting position	any, except actuator hanging beneath valve	
Protection class	II (all insulated)	
Degree of protection	IP 40	
Ambient temperature range	0 °C... + 50 °C (duty cycle 140/35s)	
Temperature of medium	+ 5°... + 120 °C (slipper valve body)	
Non-operating temperature	- 30 °C... + 80 °C	
Humidity test	to EN 60730-1	
EMC	CE according to 89/336/EEC	
Low Voltage Directive	CE according to 73/23/EEC	
Mode of operation	Type 1	
Maintenance	maintenance-free	
Weight	0.4 kg	

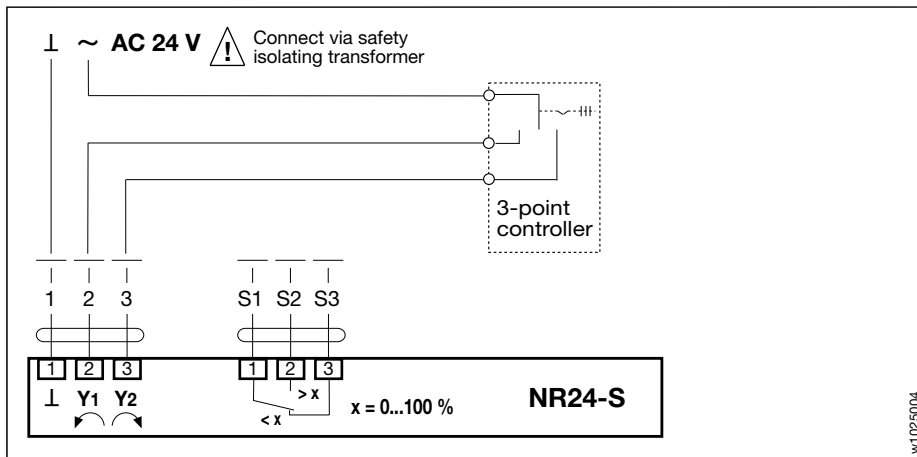
### Dimensions





p0055003

## Wiring diagram



w1025004

Technical data	NR24-S
Nominal voltage	AC 24 V 50/60 Hz
Nominal voltage range	AC 19.2...28.8 V
For wire sizing	1.5 VA
Power consumption	1.5 W
Connecting cable	- motor 1 m long, 3 x 0.5 mm <sup>2</sup> - auxiliary switch 1 m long, 3 x 0.75 mm <sup>2</sup>
Auxiliary switch - Switching point	1 x SPDT 5(1)A, AC 250 V ☐ adjustable 0...100% ◁
Direction of rotation	selectable by wiring
Manual operating	Temporary and permanent gearing disengagement by rotary switch on housing
Torque	min. 10 Nm (at rated voltage)
Angle of rotation	electrically limited to 90°
Running time	140 s
Sound power level	max. 35 dB (A)
Position indication	reversible scale 0...1
Mounting position	any, except actuator hanging beneath valve
Protection class	⚡ (safety low voltage)
Degree of protection	IP 40
Ambient temperature range	0 °C... + 50 °C
Temperature of medium	+ 5°... + 120 °C (slipper valve body)
Non-operating temperature	- 30 °C... + 80 °C
Humidity test	to EN 60730-1
EMC	CE according to 89/336/EEC
Low Voltage Directive	CE according to 73/23/EEC
Mode of operation	Type 1.B
Maintenance	maintenance-free
Weight	0.4 kg

**For slipper valves up to DN80**  
**Open/Close actuator (AC 24 V)**  
**3-point control**  
**Voltage free auxiliary switch**

## Application

The NR24-S is a compact actuator for motorising the most popular types of slipper valves in HVAC plants.

## Operation

The actuator can be operated by any controller with a 3-point output.

## Product features

**Simple direct mounting** to the slipper valve spindle by universal or customised spindle clamp. An anti-rotation bolt is supplied with the actuator. The mounting position can be chosen in steps of 90°.

**Angle of rotation is limited to 90°.** When the actuator reaches either end position the voltage supply is interrupted by limit switches.

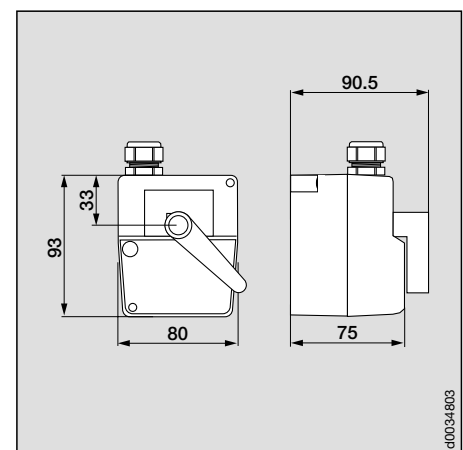
**Manual operation** by lever (press for temporary disengagement, permanent gearing disengagement by rotary switch on the housing cover to the manual position), for details see page 10.

**Flexible signalling** 0...100 %, with adjustable auxiliary switch.

## Mechanical accessories

Linkage kits for ESBE, Termomix, Pommerening, Dumserwerk, Lovato, Landis & Staefa, Lazzari, Oventrop, Meibes, Wita, Holter, Satchwell and Centra slipper valves.

## Dimensions



d0034603



For slipper valves up to DN80  
 Open/Close actuator (AC 230 V)  
 3-point control  
 Voltage free auxiliary switch

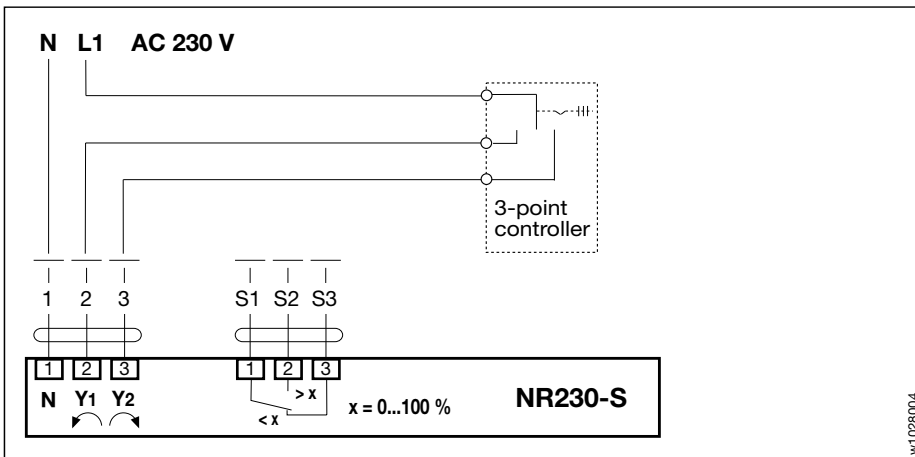
### Application

The NR230-S is a compact actuator for motorising the most popular types of slipper valves in HVAC plants.

### Operation

The actuator can be operated by any controller with a 3-point output.

### Wiring diagram



### Product features

**Simple direct mounting** to the slipper valve spindle by universal or customised spindle clamp. An anti-rotation bolt is supplied with the actuator. The mounting position can be chosen in steps of 90°.

**Angle of rotation is limited to 90°.** When the actuator reaches either end position, the voltage supply is interrupted by limit switches.

**Manual operation** by lever (press for temporary disengagement, permanent gearing disengagement by rotary switch on the housing cover to the manual position), for details see page 10.

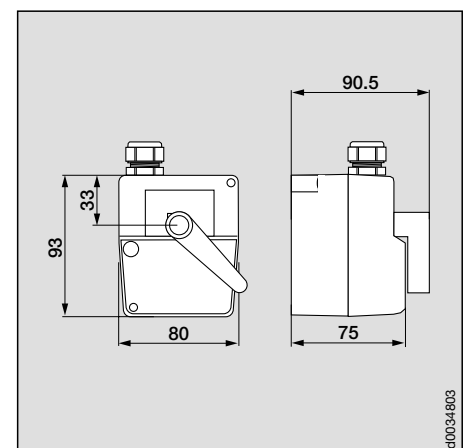
**Flexible signalling** 0...100 %, with adjustable auxiliary switch.

### Mechanical accessories

Linkage kits for ESBE, Termomix, Pommerening, Dumserwerk, Lovato, Landis & Staefa, Lazzari, Oventrop, Meibes, Wita, Holter, Satchwell and Centra slipper valves.

Technical data	NR230-S
Nominal voltage	AC 24 V 50/60 Hz
Nominal voltage range	AC 198...264 V
For wire sizing	3.5 VA
Power consumption	3.5 W
Connecting cable	- motor 1 m long, 3 x 0.75 mm <sup>2</sup> - auxiliary switch 1 m long, 3 x 0.75 mm <sup>2</sup>
Auxiliary switch	1 x SPDT 5(1)A, AC 250 V <input type="checkbox"/>
- Switching point	adjustable 0...100% $\triangleleft$
Direction of rotation	selectable by wiring
Manual operating	Temporary and permanent gearing disengagement by rotary switch on housing
Torque	min. 10 Nm (at rated voltage)
Angle of rotation	electrically limited to 90°
Running time	140 s
Sound power level	max. 35 dB (A)
Position indication	reversible scale 0...1
Mounting position	any, except actuator hanging beneath valve
Protection class	II (all insulated)
Degree of protection	IP 40
Ambient temperature range	0 °C... + 50 °C (duty cycle 140/35s)
Temperature of medium	+ 5°... + 120 °C (slipper valve body)
Non-operating temperature	- 30 °C... + 80 °C
Humidity test	to EN 60730-1
EMC	CE according to 89/336/EEC
Low Voltage Directive	CE according to 73/23/EEC
Mode of operation	Type 1.B
Maintenance	maintenance-free
Weight	0.4 kg

### Dimensions

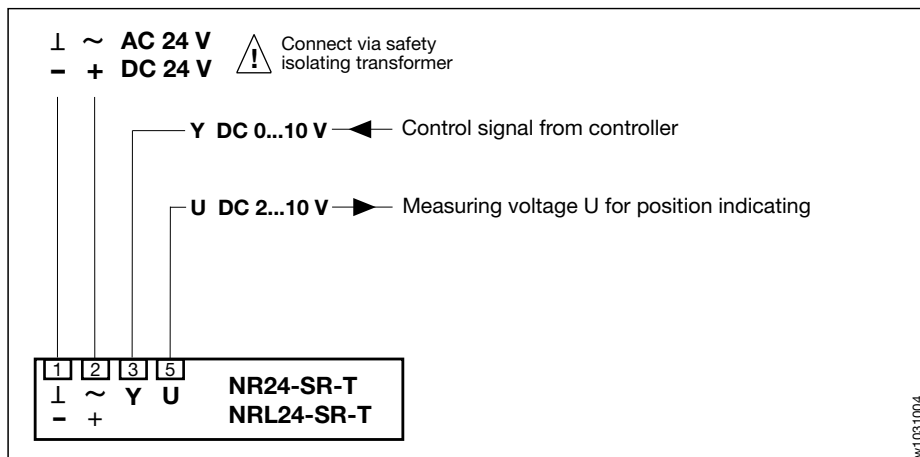






p0054003

## Wiring diagram



w1031004

Technical data	NR24-SR-T	NRL24-SR-T
Nominal voltage	AC 24 V 50/60 Hz, DC 24 V	
Nominal voltage range	AC 19.2...28.8 V, DC 21.6...28.8 V	
For wire sizing	3 VA	
Power consumption	1.5 W	
Connection	screw type terminals	
Control signal Y	DC 0...10V @ input resistance = 100 kΩ	
Operating range	DC 2...10V for 0...100% $\triangleleft$ (0...90°)	
Measuring voltage U	DC 2...10V (max. 1 mA) for 0...100% $\triangleleft$ (0...90°)	
Synchronism tolerance	± 5%	
Direction of rotation	fixed R  (at Y = 0 V)	
Manual operating	Temporary and permanent gearing disengagement by rotary switch on housing	
Torque	min. 10 Nm (at rated voltage)	
Running time	140 s	280 s
Sound power level	max. 35 dB (A)	
Position indication	reversible scale 0...1	
Mounting position	any, except actuator hanging beneath valve	
Protection class	(safety low voltage)	
Degree of protection	IP 40	
Ambient temperature range	0 °C... + 50 °C	
Temperature of medium	+ 5°... + 120 °C (slipper valve body)	
Non-operating temperature	- 30 °C... + 80 °C	
Humidity test	to EN 60730-1	
EMC	CE according to 89/336/EEC	
Mode of operation	Type 1/Software class A	
Maintenance	maintenance-free	
Weight	0.5 kg	

For slipper valves up to DN80

**Modulating rotary actuator (AC/DC 24 V)**

**Modulating control DC 0...10 V**

## Application

The NR(L)24-SR-T is a compact actuator for motorising the most popular types of slipper valves in HVAC plants.

## Mode of operation

Modulating control is effected by means of a standard DC 0...10 V control signal. As soon as the power supply has been energised a synchronising function is initiated. The actuator runs to the closed position (CLOSED limit switch) at high speed and synchronises itself.

## Product features

**Simple direct mounting** to the slipper valve spindle by universal or customised spindle clamp. An anti-rotation bolt is supplied with the actuator. The mounting position can be chosen in steps of 90°.

## Functional reliability

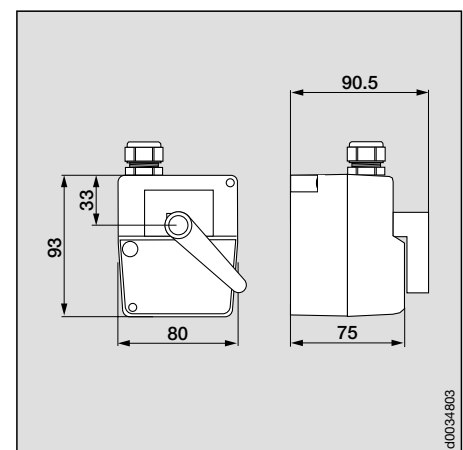
The actuator is overload-proof and stops automatically at the end-stop.

**Manual operation** by lever (press for temporary disengagement, permanent gearing disengagement by rotary switch on the housing cover to the manual position), for details see page 10.

## Mechanical accessories

Linkage kits for ESBE, Termomix, Pommerening, Dumsferwerk, Lovato, Landis & Staefa, Lazzari, Oventrop, Meibes, Wita, Holter, Satchwell and Centra slipper valves.

## Dimensions

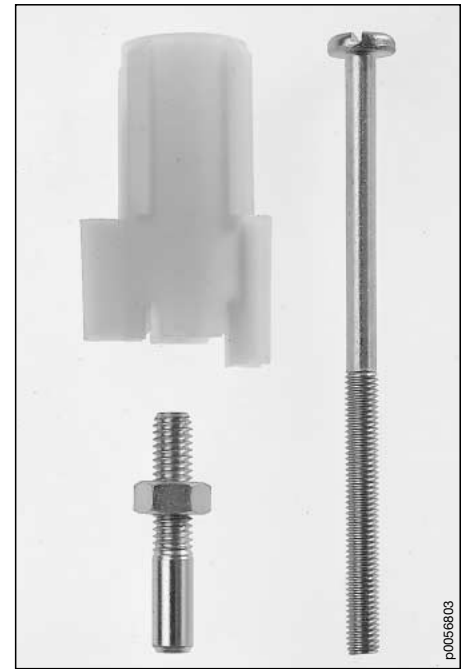


d0034603



**Linkage kits for slipper valves**

Type	Slipper valve type / Description
MS-NRC	CENTRA Series DR & ZR
MS-NRE	Universal all ESBE, TERMOMIX, POMMERENING
MS-NRE1	ESBE 3MG, F120...F165, 4HG TERMOMIX 3W D15S...D32S DUMSERWERK
MS-NRE2	ESBE G119...G151 TERMOMIX 3W D15...D32
MS-NRE3	ESBE 4MG, F432...F465 TERMOMIX 4W C15S...C32S
MS-NRE4	ESBE G419-451 TERMOMIX 4W C15...C32
MS-NRH	HOLTER BR80 SMD/SMV
MS-NRL	LANDIS & STAЕFA (Series 2) VCI 31 DN 20..40 VBG 31 DN 20..40 VBF 21 DN 40..50
MS-NRL1	LANDIS & STAЕFA (Series 1) B3F... DN20..40 B3G... DN20..40
MS-NRLA	LAZZARI
MS-NRLO	LOVATO 3W, 4W
MS-NRO	OVENTROP 3W, 4W, H MEIBES 3W, 4W, H WITA 3W, 4W, H
MS-NRS	SATCHWELL MB



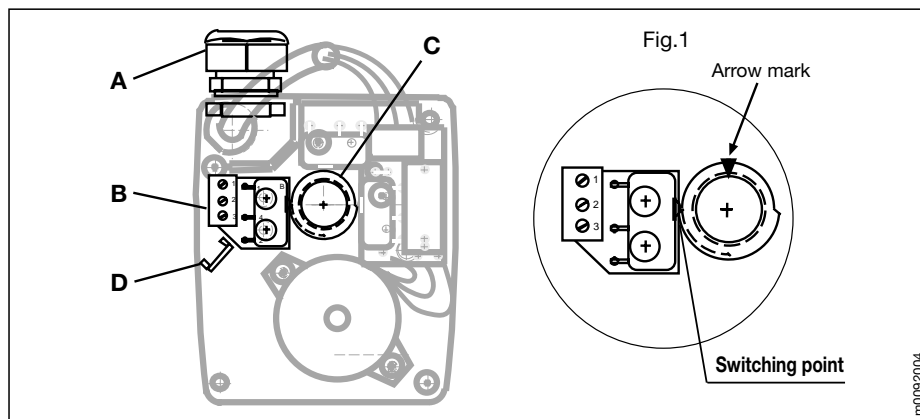
**Auxiliary switches for NR... rotary actuators with 3-point control**

Type	Description
SNR	For 3-point NR... actuators with connecting cable, 1 x SPDT screw terminals, cable gland for 1 cable, switching point adjustable 0...100% <
SNR2	For 3-point NR... actuators with screw terminals, 1 x SPDT screw terminals, cable gland for 2 cables, switching point adjustable 0...100% <



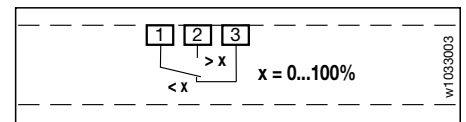
**Note:** No auxiliary switches are available for NR(L)24-SR-T modulating actuators.

**How to fit the auxiliary switches**

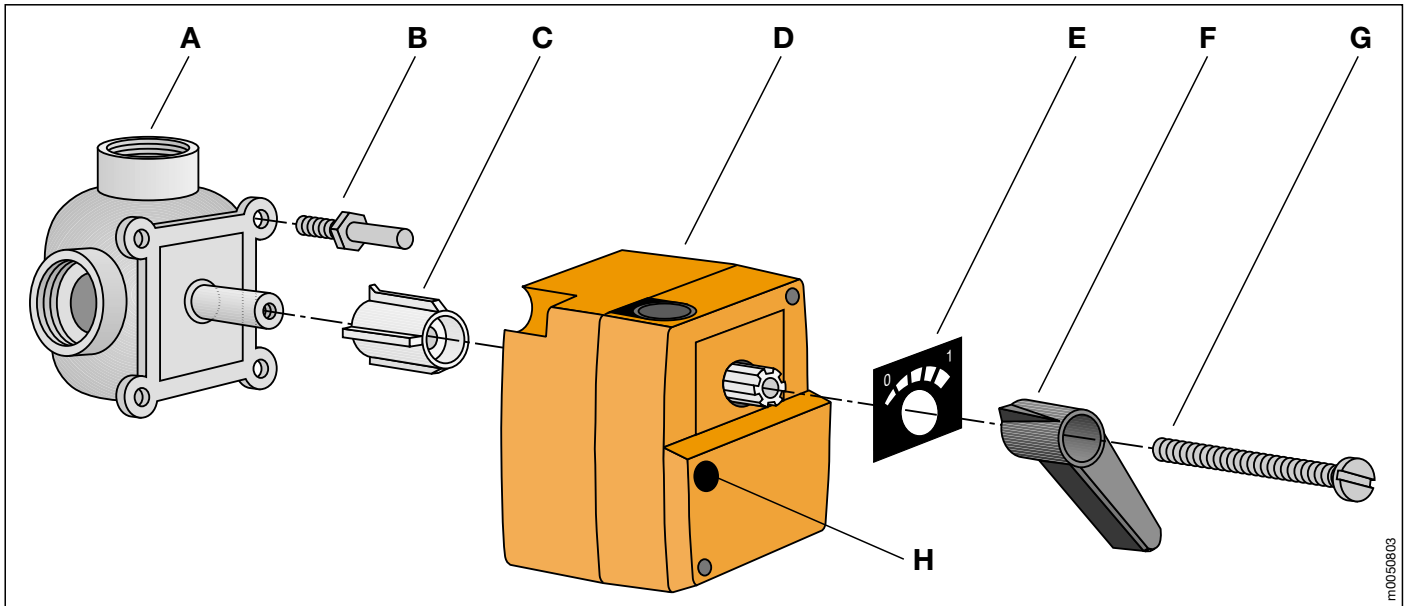


1. Remove the cover of the housing.
2. Remove the knockout and fit cable gland **A**.
3. Fit the printed-circuit board with its auxiliary switch **B** and secure with two 2.2 x 12 screws.

**Wiring diagram**



4. Press the manual release **D** on the actuator and use its manual operating handle to rotate it to the position where the auxiliary switch is to operate.
5. Insert the cam ring **C** as shown in Fig. 1 so that the arrow mark is at the top and so that the switch just operates at the switching point.
6. Connect the cable as shown in the wiring diagram.
7. Replace the housing cover.



## Mounting actuator on slipper valve body

1. Turn the spindle of the slipper valve **A** counter-clockwise to the end position (OPEN or CLOSED). Remove the handle supplied with the slipper valve body from the spindle.
2. Screw the anti-rotation stop **B** in to a convenient hole on the slipper valve (if necessary remove an existing screw first).
3. Slide linkage **C** over the slipper valve spindle.
4. Place the actuator **D** on to linkage **C** and if necessary rotate slightly clockwise until the anti-rotation stop **B** engages in to the relevant slot of the actuator.

5. Turn the scale **E** in to the position relevant to the requested function (OPEN/CLOSED) and place it onto the actuator.

6. Place the handle **F** onto the actuator ensuring that the arrow points to the left end position of the scale (see fig.). Tighten the whole unit by means of the screw **G**.

7. Using a screwdriver (No. 3) to turn the disengage button **H** on the housing cover from "A" to the "manual" position and rotate the slipper valve with the handle **F** from one end position to the other.

**It is important that the actuator can be moved from one end stop to the other (90°).**

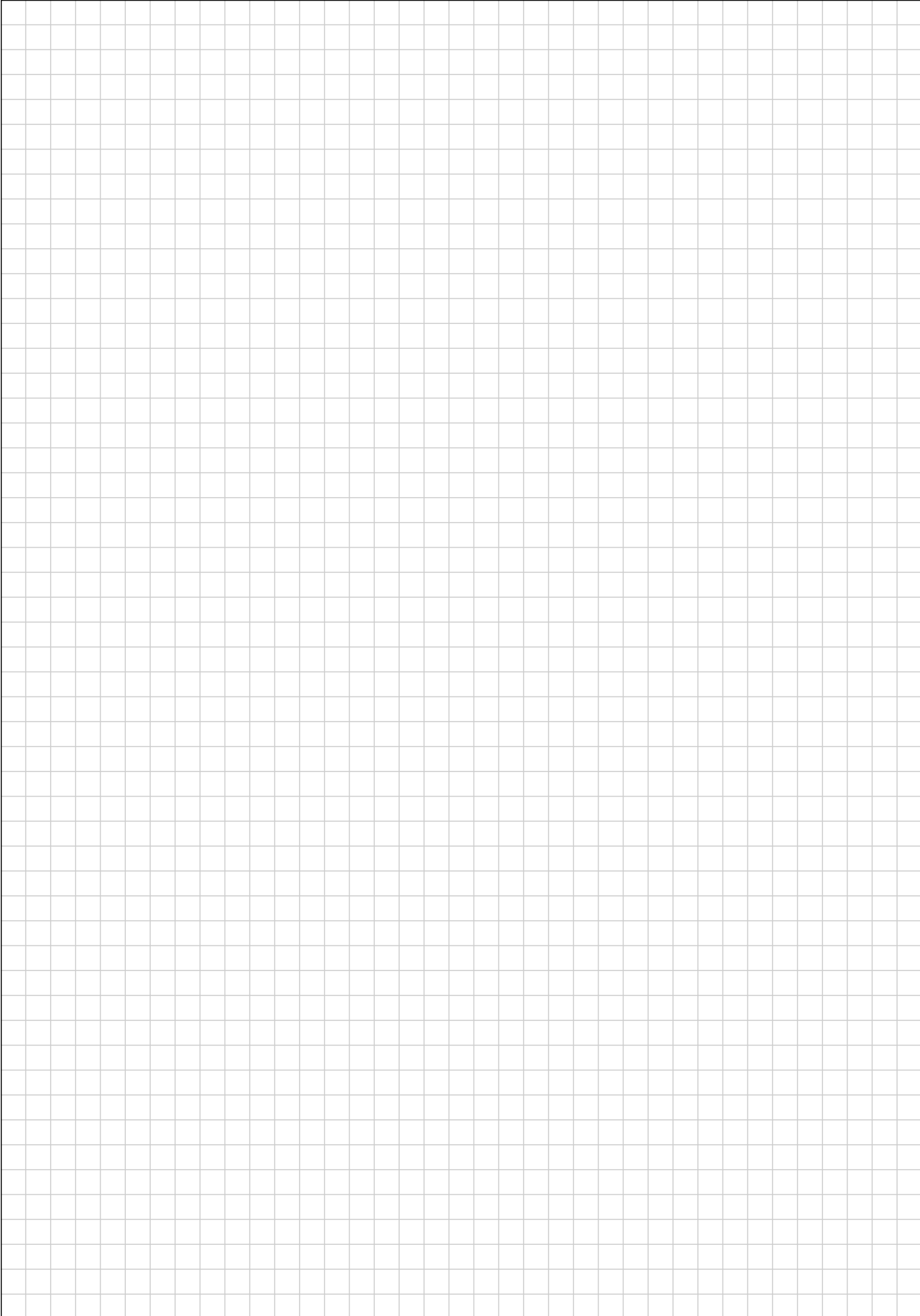
8. Connect the actuator to the controller or power supply.

9. Turn the disengaging button **H** back to "A" position, then the actuator will turn to the required position.

## Manual operation

In case of failure by the controller, the actuator can be put in to a manual mode by turning the button on the housing cover, which will disengage the gears. The actuator can then be put in any position by turning the handle and this position is indicated by means of a reversible scale.

**Note:** Parts B, C and G are parts from the MS... linkage kits.



## Air applications



Standard actuators and spring-return actuators for air control dampers in HVAC systems



Safety actuators for motorizing fire and smoke extraction dampers



VAV systems for individual room air control

## Water applications



Mixing actuators and motorized ball valves for HVAC water circuits



Globe valves and intelligent linear actuators – also for leading makes of valve

# Innovation, Quality and Consultancy: A partnership for motorizing HVAC actuators

Contact the following for further information:

### Belimo Headquarters

CH BELIMO Holding AG  
Brunnenbachstrasse 1  
8340 Hinwil, Switzerland  
Tel. +41 (0)43 843 61 11  
Telefax +41 (0)43 843 62 68  
E-Mail: info@belimo.ch  
Internet: www.belimo.ch

### Belimo Subsidiaries

AT/ BELIMO Automation  
HR/ Handelsgesellschaft m.b.H.  
HU/ Geiselbergstrasse 26-32  
SK/ 1110 Wien, Austria  
SL Tel. +43 (0)1 749 03 61-0  
Telefax +43 (0)1 749 03 61-99  
E-Mail: info@belimo.at

AU BELIMO Actuators Pty. Ltd.  
Unit 10, 266 Osborne Avenue  
Clayton South, VIC 3169  
Australia  
Tel. +61 (0)3 9551 0201  
Telefax +61 (0)3 9551 0215  
E-Mail: belimo@belimoactuators.com

CA BELIMO Aircontrols (CAN), Inc.  
5716 Coopers Ave., Units 14&15  
Mississauga, Ontario L4Z 2E8  
Canada  
Tel. +1 (905) 712 31 18  
Telefax +1 (905) 712 31 24  
E-Mail: webmaster@belimo.com

CH BELIMO Automation AG  
Sales Switzerland  
Brunnenbachstrasse 1  
8340 Hinwil, Switzerland  
Tel. +41 (0)43 843 62 12  
Telefax +41 (0)43 843 62 66  
E-Mail: info@belimo.ch  
Internet: www.belimo.ch

DE BELIMO Stellantriebe  
Vertriebs GmbH  
Weifenstr. 27, Postfach 72 02 30  
70599 Stuttgart, Germany  
Tel. +49 (0)711 1 67 83-0  
Telefax +49 (0)711 1 67 83-73  
E-Mail: info@belimo.de  
Internet: http://www.belimo.de

ES BELIMO Ibérica  
de Servomotores, S.A.  
C/San Romualdo, 12-14  
28037 Madrid, Spain  
Tel. +34 91 304 11 11  
Telefax +34 91 327 25 39  
E-Mail: info@belimo.es

FR BELIMO Servomoteurs  
Z.A. de Courtry  
33, Rue de la Régale  
77181 Courtry, France  
Tel. +33 (0)1 64 72 83 70  
Telefax +33 (0)1 64 72 94 09  
E-Mail: mail@belimo.fr

GB BELIMO Automation UK Limited  
The Lion Centre  
Hampton Road West  
Feltham, Middlesex, Great Britain  
TW 13 6DS  
Tel. +44 (0)20 8755 4411  
Telefax +44 (0)20 8755 4042  
E-Mail: belimo@belimo.co.uk

HK BELIMO Actuators Ltd.  
Room 208, 2/F  
New Commerce Centre  
19 On Sum Street, Shatin, N.T.  
Hong Kong  
Tel. +852 26 87 17 16  
Telefax +852 26 87 17 95  
E-Mail: info@belimo.com.hk

PL BELIMO Słowniki S.A.  
ul. Zagadki 21  
02-227 Warszawa, Poland  
Tel. +48 (0)22 886 53 05  
Telefax +48 (0)22 886 53 08  
E-Mail: info@belimo.pl

SG BELIMO Actuators Pte Ltd  
2, Jurong East Street 21  
#04-31F IMM Building  
Singapore 609601  
Tel. +65 6564 9828  
Telefax +65 6564 9038  
E-Mail: info@belimo.com.sg

US BELIMO Aircontrols (USA), Inc.  
43 Old Ridgebury Road  
P.O. Box 2928  
Danbury, CT 06810 USA  
Tel. +1 (1)203 792 99 15  
Telefax +1 (1)203 792 29 67  
E-Mail: webmaster@belimo.com  
Internet: www.belimo.com

### Belimo Representatives and Agencies

AE BELIMO Trading  
Middle East Office  
P.O. Box 73885  
Dubai, U.A.E.  
Tel. +971 (0)4 295 9670  
Telefax +971 (0)4 295 9680  
E-Mail: belimome@emirates.net.ae

BG BELIMO Bulgaria Ltd.  
j.k. Lagera, 3 Smolyanska Str.  
bl. 56, entr. B, ap. 50  
1612 Sofia, Bulgaria  
Tel. +3592 952 3470/1  
Telefax +3592 545 995  
E-Mail: belimo@intech.bg

CN BELIMO Automation Ltd.  
18 FA3, 585 Longhua West-Road  
200232 Shanghai, China  
Tel. +86 21 6469 2895  
Telefax +86 21 6469 2909  
E-Mail: shanghai@belimo.com.hk

CN BELIMO Beijing  
Rm 605, Beijing Hai Chang  
Edifice, 44, Liang Ma Qiao Road  
Chao Yang District  
100016 Beijing, China  
Tel. +86 10 6462 1382  
Telefax +86 10 6462 1383  
E-Mail: beijing@belimo.com.hk

CY R.E.S. Ltd.  
P.O. Box 8297  
Nicosia, Cyprus  
Tel. +357 (0)2 51 10 07  
Telefax +357 (0)2 49 65 47  
E-Mail: reliance@spidernet.com.cy

CZ BELIMO CZ (Ing. Ivar Mentzl)  
Charkovská 16  
10100 Praha 10, Czech Republic  
Tel. +420 (0)2 717 4 0 311  
Telefax +420 (0)2 717 43 057  
E-Mail: info@belimo.cz

DK BELIMO A/S  
Thomas Helstedesvej 7A  
8660 Skanderborg, Denmark  
Tel. +45 86 52 44 00  
Telefax +45 86 52 44 88  
E-Mail: info@belimo.dk

EE BELIMO Balticum AS  
Tõri 10 d  
11313 Tallinn, Estonia  
Tel. +372 6 140 811  
Telefax +372 6 140 812  
E-Mail: info@belimo.ee

FI Oy Suomen BELIMO Ab  
Insinöörikatu 2  
00880 Helsinki, Finland  
Tel. +358 (0)9 75 11 65 00  
Telefax +358 (0)9 75 11 65 31  
E-Mail: belimo@belimo.fi

GR BELIMO Air Controls  
29, Tagm. Plessa, Kallithea  
GR 17674 Athens, Greece  
Tel. +30 (2)10 94 00 766  
Telefax +30 (2)10 94 00 767  
E-Mail: belimogr@tee.gr

IE Safegard Systems Ltd.  
Systems House, Unit 34  
Southern Cross Business Park  
Bray, Co Wicklow, Ireland  
Tel. +353 (0)1 2761 600  
Telefax +353 (0)1 2761 611  
E-Mail: info@safegard.ie

IL Shemer Representations  
P.O. Box 296  
56101 Yehud, Israel  
Tel. +972 3 536 51 67  
Telefax +972 3 536 05 81  
E-Mail: shemer@shemerrep.co.il

IN BELIMO Vitek Air Controls  
C-114 Lancelot, First Floor  
S.V. Road, Borivali (West)  
Mumbai 400 092, India  
Tel. +91 22 5695 9439  
Telefax +91 22 2806 2163  
E-Mail: bvac@bom2.vsnl.net.in

IS Hitataekni ehf.  
Langholttsveg 109  
104 Reykjavik, Iceland  
Tel. +354 5 88 60 70  
Telefax +354 5 88 60 71  
E-Mail: fridmar@hitataekni.is

IT BELIMO Servomotori S.r.l.  
Via Stezzano, 5  
24050 Zanica BG, Italy  
Tel. +39 035 67 26 82  
Telefax +39 035 67 02 00  
E-Mail: info@belimo.it

KR HANMO Corporation  
3rd Floor, Yeosam Bldg. 648-23  
Gangnam-Ku, Seoul, Korea  
Tel. +822 3453 8225  
Telefax +822 3453 8228

LB Energy Center (EC)  
Hamra, Leon Street, Shatilla,  
Bldg. 4th Floor,  
P.O. Box 113-6955  
Beirut, Lebanon  
Tel. +961 (0)1 35 38 23  
Telefax +961 (0)1 35 38 23  
E-Mail: belimome@emirates.net.ae

NL/ BELIMO Servomotoren BV  
BE/ BENELUX  
LU Postbus 300, 8160 AH Epe  
Radeweg 25, 8171 MD Vaassen  
Netherlands  
Tel. +31 5 78 57 68 36  
Telefax +31 5 78 57 69 15  
E-Mail: info@belimo.nl

NO BELIMO Spjeldmotorer A/S  
Konowgate 5  
0192 Oslo 1, Norway  
Tel. +47 22 70 71 71  
Telefax +47 22 70 71 70  
E-Mail: info@belimo.no

PH BELIMO Actuators Philippines  
Rm.# 507 Anita Build., 5th Floor  
1300 Quezon Ave., Cor. South Ave.  
1103 Quezon City, Philippines  
Tel. +63 (2) 373 5440  
Telefax +63 (2) 373 5424  
E-Mail: philippines@belimo.com.hk

RO SC Mano Construct srl  
Str. Cameliei nr 5, sector 1  
Bucuresti, Romania  
Tel. +40 212 126 993  
Telefax +40 212 126 995  
E-Mail: manoconstruct@fx.ro

RU BELIMO Servomotors  
Russia Ltd.  
Nizhnaya Pervomaiskaya,  
46 Bld. 1, Office 303  
105203 Moscow, Russia  
Tel. +7 095 965 74 64  
Telefax +7 095 965 74 73  
E-Mail: belimo.russia@mtu-net.ru

SE BELIMO Spjällmotorer AB  
Hägerstens Allé 88  
129 37 Hägersten, Sweden  
Tel. +46 (0)8 88 07 00  
Telefax +46 (0)8 97 85 75  
E-Mail: info@belimo.se

SY Philippe A. Jébran  
P.O. Box 7791  
Damascus, Syria  
Tel. +963 11 231 6586  
Telefax +963 11 231 4052  
E-Mail: belimome@emirates.net.ae

TR BELIMO Otomasyon A.S.  
Keyap Sitesi No. 20  
TR-81260 Y. Dudullu  
Istanbul, Turkey  
Tel. +90 216 527 98 70  
Telefax +90 216 527 98 71  
E-Mail: info@belimo.com.tr

TW Chienseng Enterprise Co. Ltd.  
2F, No. 21, Tong Fong Street  
Taipei, Taiwan  
Tel. +886 2 27 08 77 80  
Telefax +886 2 27 02 90 90  
E-Mail: taiwan@belimo.com.hk

UA BELIMO Ukraine S.A.R.  
34-A, Ul. Yurkovskaya, Appt.N°2  
254080 Kiev, Ukraine  
Tel./Telefax +380 44 463 7586  
E-Mail: comaster@belimo.kiev.ua

ZA BELIMO Actuators Southern Africa cc  
P.O. Box 2483  
Alberton 1450, South Africa  
Tel. +27 (0)11 868 5681  
Telefax +27 (0)11 900 2673  
E-Mail: belimo@mega.co.za