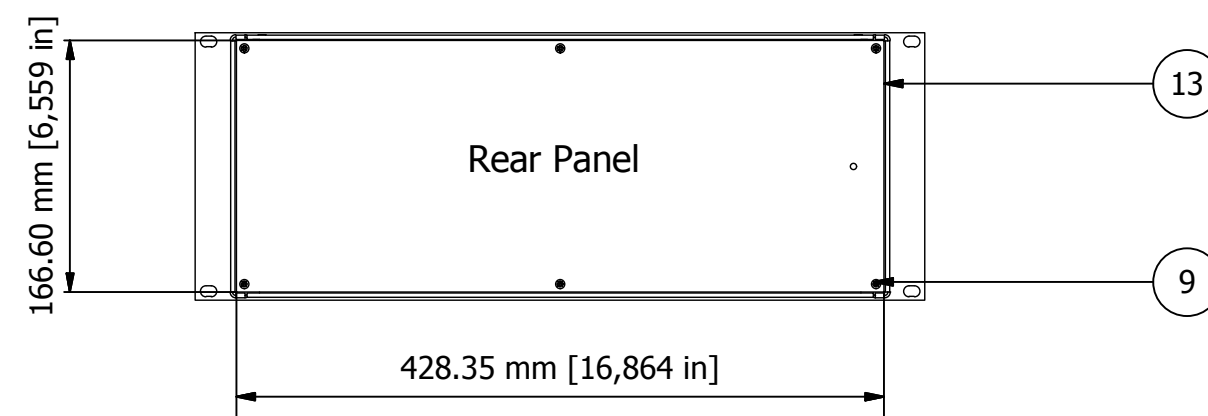
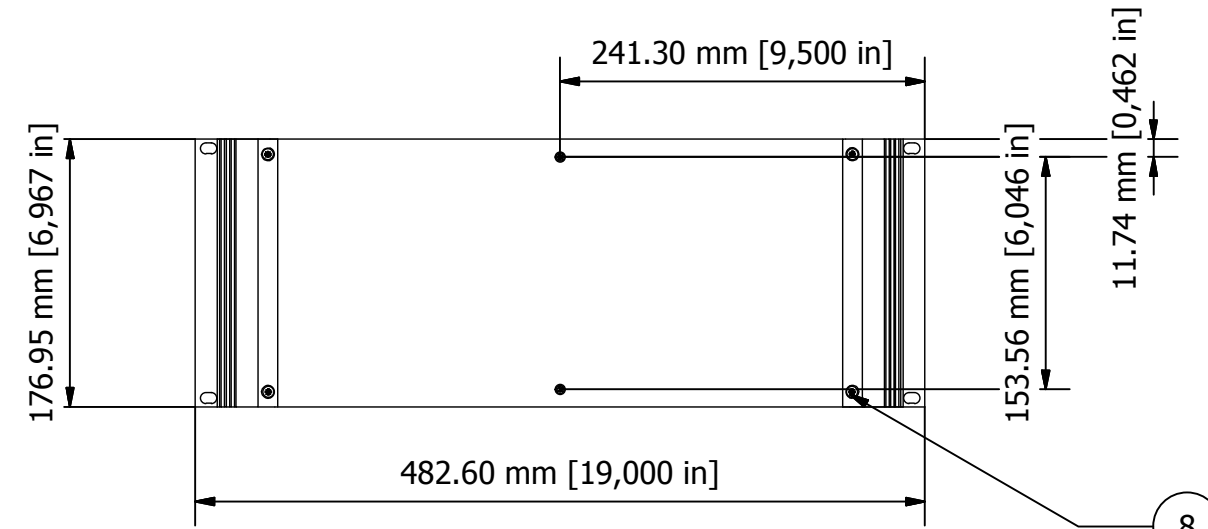


NOTES.
 Case metalwork is made from 1.5 mm aluminium and painted RAL 9005 fine texture black.
 Front panel is made from 3 mm aluminium with a clear etch & anodise finish.
 Handles are made from an aluminium extrusion & also painted RAL 9005 fine texture black.
 All parts are fitted with M4 studs for earth use.

PARTS LIST			
ITEM	QTY	PART NUMBER	DESCRIPTION
3	2	M6203049	Top/Base Panel
8	4	M4x16 CSK Screw (B)	Front Panel Screws
9	6	M3x8 Pan Screw (B)	Rear Panel Screws
11	1	M6219040	Front Panel
12	2	M6202439	Side Panel
13	1	M6201049	Rear Panel
14	2	M6200409	Handles
15	12	M3x8 CSK Screw (B)	Cover Screws
16	2	M3x8 CSK Screw	Front Panel Screws



FIRST ANGLE PROJECTION

Designed by L Clark	Description Combimet 4U x 19" x 265 mm Vented	Date 11/10/2013	Scale 1:5
METCASE ENCLOSURES 15 Brunel Way, Segensworth East, Fareham, Hampshire, PO15 5TX, UK. Tel: +44 (0)1489 583858 Email: metcase@okw.co.uk		METcase™ www.metcase.com Part Number M6219449	
		Issue 1	Sheet 1 / 1

© OKW Enclosures Ltd (Date as shown). This drawing contains proprietary information of OKW Enclosures Ltd and is tendered subject to the following conditions. The information be retained in confidence, not be reproduced or copied, and not be used or incorporated in any product, unless permission is obtained in writing from OKW Enclosures Ltd.