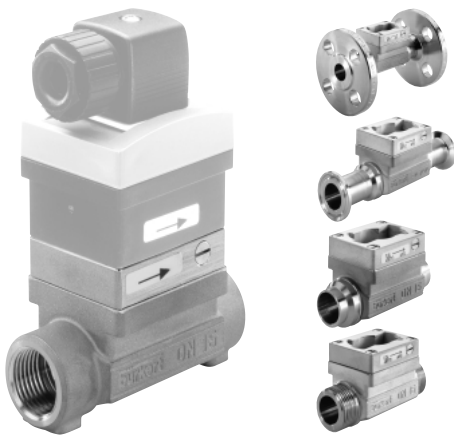


# Fitting for Magnetic Paddle Flow Sensor/Switch

S010

**STAINLESS STEEL, INLINE Quarter-Turn**



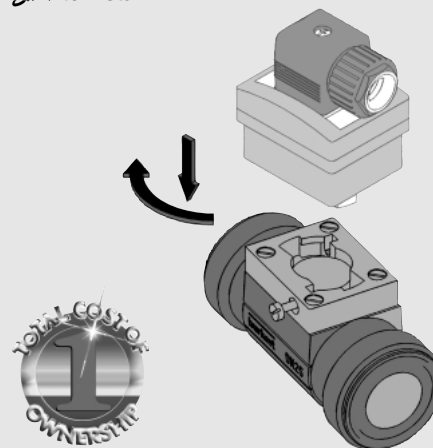
- ✓ **ON/OFF Control System for Monitoring and Switching in Combination with SE10 unit**
- ✓ **No Leakage due to Single Paddle inside the fitting (INLINE Quarter-Turn Technology)**
- ✓ **Contact Free Switching of Reed Contact by Magnetic Transmission**

The fitting S010 has the single paddle to detect the flow built in. This leads to a very leak proof construction, which we call the INLINE Quarter-Turn Technology. The switching point is transmitted contact free by a magnetic field. The detecting unit SE10 can be snapped-on or removed without opening the pipe of the process. The switching point can be set on the unit SE10.

## Process Specifications

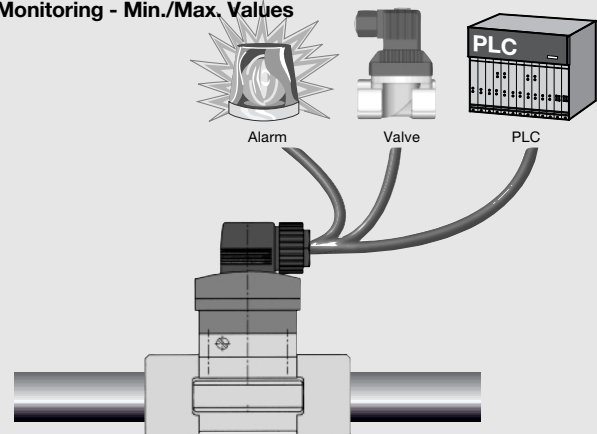
Pipe diameter	DN 15 up to DN 50
Temperatures	
Ambient	0 up to +55°C
Storage	0 up to +55°C
Fluid	0 up to +55°C
Materials	
Seal	FPM (standard) EPDM (on request)
Fitting	Stainless Steel (316L - 1.4404)
Screws	Stainless Steel (316L - 1.4404)
Pressure class	PN16
Measuring range	(see diagram)
Paddle (range 1)	DN15 0.65 up to 0.90 m/s DN20 0.35 up to 0.55 m/s DN25 0.40 up to 0.60 m/s DN32 0.65 up to 0.90 m/s DN40 0.75 up to 1.00 m/s
Paddle (range 2)	DN32 0.20 up to 0.30 m/s DN40 0.25 up to 0.45 m/s DN50 0.50 up to 0.60 m/s

*Easy to install*



**Burkert Quarter Turn**

**Application: (together with SE10)  
Monitoring - Min./Max. Values**



DTS 1000011138 EN Version: A Status: RL (released | freigegeben | validé) printed: 30.06.2006

# Fitting for Magnetic Paddle Flow Sensor/Switch

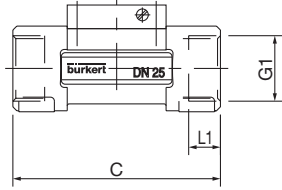
## Specifications - Ordering Chart (Other Versions on Request)

Description	Orifice DN [mm]	Process Connection	Switching Range	Item No.
<b>Stainless Steel (1.4404) Fitting World Wide</b>				
<b>• with internal threaded port connection</b>				
Fitting with flowing-through single paddle (PVDF) & gasket (FPM)	15.0	G 1/2	1	438 199 Z
Fitting with flowing-through single paddle (PVDF) & gasket (FPM)	20.0	G 3/4	1	438 200 N
Fitting with flowing-through single paddle (PVDF) & gasket (FPM)	25.0	G 1	1	438 201 B
Fitting with flowing-through single paddle (PVDF) & gasket (FPM)	32.0	G 1 1/4	1	438 202 C
Fitting with flowing-through single paddle (PVDF) & gasket (FPM)	40.0	G 1 1/2	1	438 203 D
Fitting with flowing-through single paddle (PVDF) & gasket (FPM)	32.0	G 1 1/4	2	438 205 F
Fitting with flowing-through single paddle (PVDF) & gasket (FPM)	40.0	G 1 1/2	2	438 206 G
Fitting with flowing-through single paddle (PVDF) & gasket (FPM)	50.0	G 2	2	438 207 H
<b>• with external threaded port connection</b>				
Fitting with flowing-through single paddle (PVDF) & gasket (FPM)	15.0	G 3/4	1	438 226 T
Fitting with flowing-through single paddle (PVDF) & gasket (FPM)	20.0	G 1	1	438 227 U
Fitting with flowing-through single paddle (PVDF) & gasket (FPM)	25.0	G 1 1/4	1	438 228 D
Fitting with flowing-through single paddle (PVDF) & gasket (FPM)	32.0	G 1 1/2	1	438 229 E
Fitting with flowing-through single paddle (PVDF) & gasket (FPM)	40.0	M55 x 2	1	438 230 B
Fitting with flowing-through single paddle (PVDF) & gasket (FPM)	32.0	G 1 1/2	2	438 232 Z
Fitting with flowing-through single paddle (PVDF) & gasket (FPM)	40.0	M55 x 2	2	438 233 S
Fitting with flowing-through single paddle (PVDF) & gasket (FPM)	50.0	M64 x 2	2	438 234 T
<b>• with weld ends</b>				
Fitting with flowing-through single paddle (PVDF) & gasket (FPM)	15.0	weld end	1	438 235 U
Fitting with flowing-through single paddle (PVDF) & gasket (FPM)	20.0	weld end	1	438 236 V
Fitting with flowing-through single paddle (PVDF) & gasket (FPM)	25.0	weld end	1	438 237 W
Fitting with flowing-through single paddle (PVDF) & gasket (FPM)	32.0	weld end	1	438 238 F
Fitting with flowing-through single paddle (PVDF) & gasket (FPM)	40.0	weld end	1	438 239 G
Fitting with flowing-through single paddle (PVDF) & gasket (FPM)	32.0	weld end	2	438 241 A
Fitting with flowing-through single paddle (PVDF) & gasket (FPM)	40.0	weld end	2	438 242 B
Fitting with flowing-through single paddle (PVDF) & gasket (FPM)	50.0	weld end	2	438 243 C
<b>• with Tri-Clamp® connection (acc. to ISO 2852)</b>				
Fitting with flowing-through single paddle (PVDF) & gasket (FPM)	15.0	Tri-Clamp®	1	438 244 D
Fitting with flowing-through single paddle (PVDF) & gasket (FPM)	20.0	Tri-Clamp®	1	438 245 E
Fitting with flowing-through single paddle (PVDF) & gasket (FPM)	25.0	Tri-Clamp®	1	438 246 F
Fitting with flowing-through single paddle (PVDF) & gasket (FPM)	32.0	Tri-Clamp®	1	438 247 G
Fitting with flowing-through single paddle (PVDF) & gasket (FPM)	40.0	Tri-Clamp®	1	438 248 R
Fitting with flowing-through single paddle (PVDF) & gasket (FPM)	32.0	Tri-Clamp®	2	438 250 P
Fitting with flowing-through single paddle (PVDF) & gasket (FPM)	40.0	Tri-Clamp®	2	438 251 C
Fitting with flowing-through single paddle (PVDF) & gasket (FPM)	50.0	Tri-Clamp®	2	438 252 D
<b>• with flange connection (acc. to DIN 2501)</b>				
Fitting with flowing-through single paddle (PVDF) & gasket (FPM)	15.0	DIN flange	1	438 253 E
Fitting with flowing-through single paddle (PVDF) & gasket (FPM)	20.0	DIN flange	1	438 254 F
Fitting with flowing-through single paddle (PVDF) & gasket (FPM)	25.0	DIN flange	1	438 255 G
Fitting with flowing-through single paddle (PVDF) & gasket (FPM)	32.0	DIN flange	1	438 256 H
Fitting with flowing-through single paddle (PVDF) & gasket (FPM)	40.0	DIN flange	1	438 257 A
Fitting with flowing-through single paddle (PVDF) & gasket (FPM)	32.0	DIN flange	2	438 259 L
Fitting with flowing-through single paddle (PVDF) & gasket (FPM)	40.0	DIN flange	2	438 260 R
Fitting with flowing-through single paddle (PVDF) & gasket (FPM)	50.0	DIN flange	2	438 261 E
<b>Stainless Steel (1.4404) Fitting ASEAN</b>				
<b>• with internal threaded port connection (acc. to ISO 7)</b>				
Fitting with flowing-through single paddle (PVDF) & gasket (FPM)	15.0	Rc 1/2	1	438 217 S
Fitting with flowing-through single paddle (PVDF) & gasket (FPM)	20.0	Rc 3/4	1	438 218 B
Fitting with flowing-through single paddle (PVDF) & gasket (FPM)	25.0	Rc 1	1	438 219 C
Fitting with flowing-through single paddle (PVDF) & gasket (FPM)	32.0	Rc 1 1/4	1	438 220 H
Fitting with flowing-through single paddle (PVDF) & gasket (FPM)	40.0	Rc 1 1/2	1	438 221 W
Fitting with flowing-through single paddle (PVDF) & gasket (FPM)	32.0	Rc 1 1/4	2	438 223 Y
Fitting with flowing-through single paddle (PVDF) & gasket (FPM)	40.0	Rc 1 1/2	2	438 224 Z
Fitting with flowing-through single paddle (PVDF) & gasket (FPM)	50.0	Rc 2	2	438 225 S
<b>• with flange connection (acc. to JIS 10K)</b>				
Fitting with flowing-through single paddle (PVDF) & gasket (FPM)	15.0	JIS flange	1	438 271 G
Fitting with flowing-through single paddle (PVDF) & gasket (FPM)	20.0	JIS flange	1	438 272 H
Fitting with flowing-through single paddle (PVDF) & gasket (FPM)	25.0	JIS flange	1	438 273 A
Fitting with flowing-through single paddle (PVDF) & gasket (FPM)	32.0	JIS flange	1	438 274 B
Fitting with flowing-through single paddle (PVDF) & gasket (FPM)	40.0	JIS flange	1	438 275 C
Fitting with flowing-through single paddle (PVDF) & gasket (FPM)	32.0	JIS flange	2	438 277 E
Fitting with flowing-through single paddle (PVDF) & gasket (FPM)	40.0	JIS flange	2	438 278 P
Fitting with flowing-through single paddle (PVDF) & gasket (FPM)	50.0	JIS flange	2	438 279 Q
<b>Stainless Steel (1.4404) Fitting NAFTA</b>				
<b>• with internal threaded port connection</b>				
Fitting with flowing-through single paddle (PVDF) & gasket (FPM)	15.0	NPT 1/2	1	438 208 J
Fitting with flowing-through single paddle (PVDF) & gasket (FPM)	20.0	NPT 3/4	1	438 209 K
Fitting with flowing-through single paddle (PVDF) & gasket (FPM)	25.0	NPT 1	1	438 210 F
Fitting with flowing-through single paddle (PVDF) & gasket (FPM)	32.0	NPT 1 1/4	1	438 211 U
Fitting with flowing-through single paddle (PVDF) & gasket (FPM)	40.0	NPT 1 1/2	1	438 212 V
Fitting with flowing-through single paddle (PVDF) & gasket (FPM)	32.0	NPT 1 1/4	2	438 214 X
Fitting with flowing-through single paddle (PVDF) & gasket (FPM)	40.0	NPT 1 1/2	2	438 215 Y
Fitting with flowing-through single paddle (PVDF) & gasket (FPM)	50.0	NPT 2	2	438 216 Z
<b>• with flange connection (acc. to ANSI B16-5-1988)</b>				
Fitting with flowing-through single paddle (PVDF) & gasket (FPM)	15.0	ANSI flange	1	438 262 F
Fitting with flowing-through single paddle (PVDF) & gasket (FPM)	20.0	ANSI flange	1	438 263 G
Fitting with flowing-through single paddle (PVDF) & gasket (FPM)	25.0	ANSI flange	1	438 264 H
Fitting with flowing-through single paddle (PVDF) & gasket (FPM)	32.0	ANSI flange	1	438 265 A
Fitting with flowing-through single paddle (PVDF) & gasket (FPM)	40.0	ANSI flange	1	438 266 B
Fitting with flowing-through single paddle (PVDF) & gasket (FPM)	32.0	ANSI flange	2	438 268 M
Fitting with flowing-through single paddle (PVDF) & gasket (FPM)	40.0	ANSI flange	2	438 269 N
Fitting with flowing-through single paddle (PVDF) & gasket (FPM)	50.0	ANSI flange	2	438 270 K

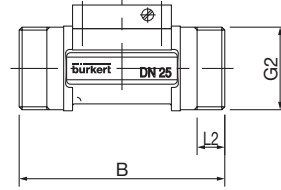
# Fitting for Magnetic Paddle Flow Sensor/Switch

## Dimensions [mm] for Fittings - Stainless Steel

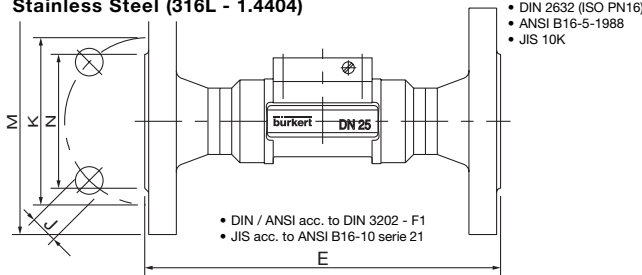
Fitting with internal threaded port connection G, Rc and NPT  
Stainless Steel (316L - 1.4404)



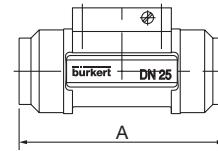
Fitting with external threaded port connection  
Stainless Steel (316L - 1.4404) G



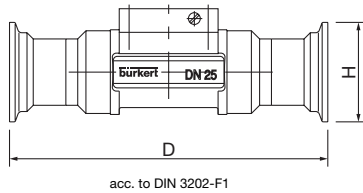
Fitting with flange connection  
Stainless Steel (316L - 1.4404) DIN, ANSI and JIS



Fitting with weld ends  
Stainless Steel (316L - 1.4404) ISO 4200



Fitting with Tri-Clamp® connection  
Stainless Steel (316L - 1.4404) ISO 2852



Example of type 8010 with internal threaded port connection  
(S010 + SE10)



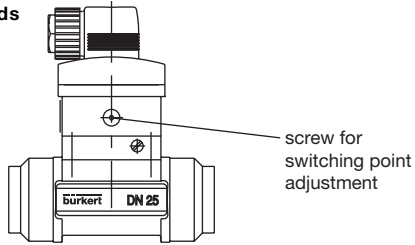
Orifice DN	Internal Threaded Port			External Threaded Port			Flange connection		NORM	Weld Ends (Tube)				Tri-Clamp®				
	C	G1	L1	B	G2	L2	E	JIS		J	N	K	M	ø	Wall	A	D	H
[mm]	[mm]		[mm]	[mm]		[mm]	[mm]	[mm]		[mm]	[mm]	[mm]	[mm]	[mm]	[mm]	[mm]	[mm]	
15	85.0	G 1/2	16.0	84.0	G 3/4	11.5	130.0	152.0	DIN	4 x 14.0	45.0	65.0	95.0	21.3	1.6	84.0	130.0	34.0
15	85.0	NPT 1/2	17.0	84.0	G 3/4	11.5	130.0	152.0	ANSI	4 x 15.8	34.9	60.3	89.0	21.3	1.6	84.0	130.0	34.0
15	85.0	Rc 1/2	15.0	84.0	G 3/4	11.5	130.0	152.0	JIS	4 x 15.0	51.0	70.0	95.0	21.3	1.6	84.0	130.0	34.0
20	95.0	G 3/4	17.0	94.0	G 1	13.5	150.0	178.0	DIN	4 x 14.0	58.0	75.0	105.0	26.9	1.6	94.0	150.0	50.5
20	95.0	NPT 3/4	18.3	94.0	G 1	13.5	150.0	178.0	ANSI	4 x 15.8	42.9	69.8	99.0	26.9	1.6	94.0	150.0	50.5
20	95.0	Rc 3/4	16.3	94.0	G 1	13.5	150.0	178.0	JIS	4 x 15.0	56.0	75.0	100.0	26.9	1.6	94.0	150.0	50.5
25	105.0	G 1	23.5	104.0	G 1 1/4	14.0	160.0	216.0	DIN	4 x 14.0	68.0	85.0	115.0	33.7	2.0	104.0	160.0	50.5
25	105.0	NPT 1	18.0	104.0	G 1 1/4	14.0	160.0	216.0	ANSI	4 x 15.8	50.8	79.4	108.0	33.7	2.0	104.0	160.0	50.5
25	105.0	Rc 1	18.0	104.0	G 1 1/4	14.0	160.0	216.0	JIS	4 x 19.0	67.0	90.0	125.0	33.7	2.0	104.0	160.0	50.5
32	120.0	G 1 1/4	23.5	119.0	G 1 1/2	18.0	180.0	229.0	DIN	4 x 18.0	78.0	100.0	140.0	42.4	2.0	119.0	180.0	50.5
32	120.0	NPT 1 1/4	21.0	119.0	G 1 1/2	18.0	180.0	229.0	ANSI	4 x 15.8	63.5	88.9	117.0	42.4	2.0	119.0	180.0	50.5
32	120.0	Rc 1 1/4	21.0	119.0	G 1 1/2	18.0	180.0	229.0	JIS	4 x 19.0	76.0	100.0	135.0	42.4	2.0	119.0	180.0	50.5
40	130.0	G 1 1/2	23.5	129.0	M55 x 2	19.0	200.0	241.0	DIN	4 x 18.0	88.0	110.0	150.0	48.3	2.0	129.0	200.0	64.0
40	130.0	NPT 1 1/2	20.0	129.0	M55 x 2	19.0	200.0	241.0	ANSI	4 x 15.8	73.0	98.4	127.0	48.3	2.0	129.0	200.0	64.0
40	130.0	Rc 1 1/2	19.0	129.0	M55 x 2	19.0	200.0	241.0	JIS	4 x 19.0	81.0	105.0	140.0	48.3	2.0	129.0	200.0	64.0
50	150.0	G 2	27.5	149.0	M64 x 2	20.0	230.0	267.0	DIN	4 x 18.0	102.0	125.0	165.0	60.3	2.6	149.0	230.0	77.5
50	150.0	NPT 2	24.0	149.0	M64 x 2	20.0	230.0	267.0	ANSI	4 x 19.0	92.1	120.6	152.0	60.3	2.6	149.0	230.0	77.5
50	150.0	Rc 2	24.0	149.0	M64 x 2	20.0	230.0	267.0	JIS	4 x 19.0	96.0	120.0	155.0	60.3	2.6	149.0	230.0	77.5

# Fitting for Magnetic Paddle Flow Sensor/Switch

## Dimensions [mm] for Fittings with Magnetic Sensor Paddle - Stainless Steel

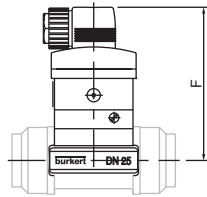
Example:

Fitting with weld ends and SE10



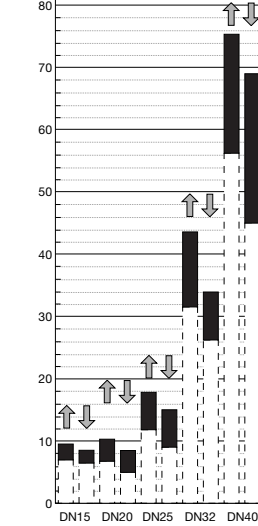
Orifice DN [mm]	Dimensions F [mm]
15	100.0
20	97.0
25	97.0
32	101.0
40	105.0
50	111.0

F = Center to Top

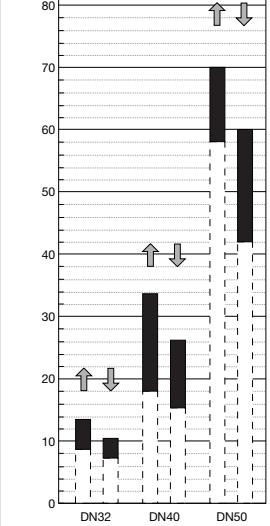


## Switching Range Table for Fitting Stainless Steel

Switching Range 1  
Q (l/min)



Switching Range 2  
Q (l/min)



## Inner Materials of all Stainless Steel Fittings

Fitting with internal threaded port connection

1.	Body	Stainless Steel (316L - 1.4404)
2.	Paddle	PVDF
3.	Shaft	Stainless Steel (316L - 1.4404)
4.	O-Ring	FPM (EPDM on request)

