

特点

- 用途广泛且易于安装
- 六角设计、可使用扳手拧紧
- 将印刷电路板牢固锁定到位
- 黄铜材料、用于提供机械强度和耐高温环境
- 镀镍、耐腐蚀

RS Pro 六角支架公 / 母、 35mm 、 M5 x M5

RS 号: 806-6645



RS 认证产品为您提供所有产品类别的专业品质部件。我们的产品系列经过工程师测试、提供与领先品牌相当的质量、而无需支付高昂的价格。

商品描述属性

RS PRO 提供一系列坚固优质的六角形支座，它们由镀锌低碳钢制成，并在两端配有公制内螺纹或螺纹螺柱。这些多用途支座设计用于牢固安装印刷电路板，并可从其他组件（如计算机机箱内部或其他印刷电路板）上架起印刷电路板。它们还特别适用于设备发热时改善组件周围的气流空间。这些支座提供各种不同的高度和螺纹尺寸、以适合各种印刷电路板应用。

一般规格

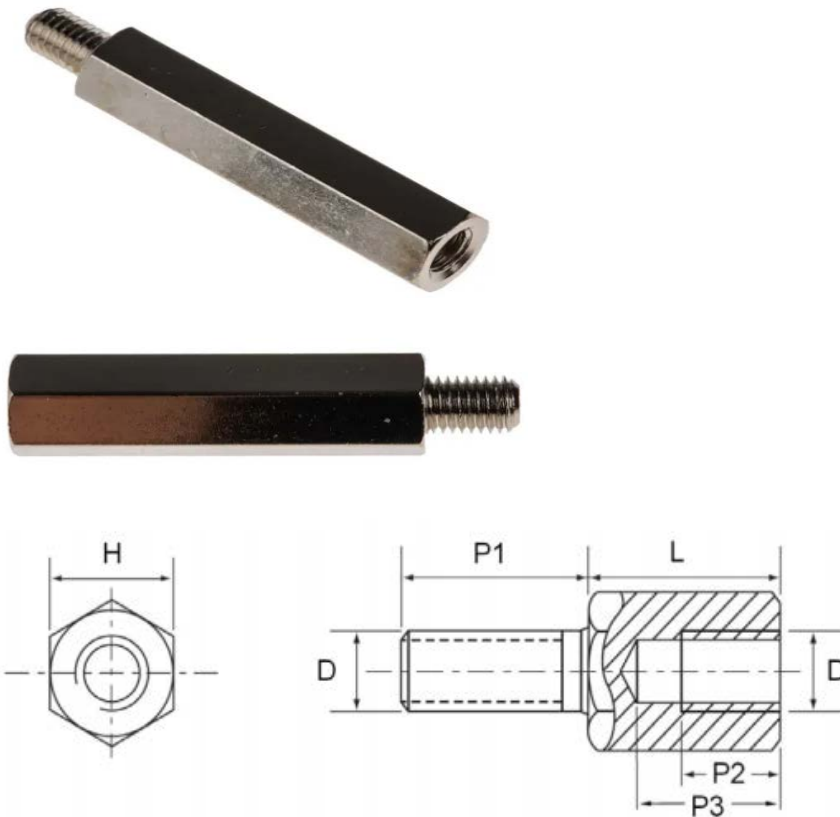
| | |
|------|------------------------|
| 性别类型 | 男 / 女 |
| 材料 | 黄铜 |
| 主体形状 | 六路 |
| 表面 | 镀镍 |
| 镀层 | 镍 |
| 应用 | 消费电子产品、办公机械、数据通信和电信设备。 |

机械规格

| | |
|---------|---------|
| 主体长度 | 35mm |
| 螺纹尺寸 | M5 x M5 |
| 螺柱长度 | 8mm |
| 螺纹尺寸 a | M5 |
| 螺纹规格 b | M5 |
| 六角尺寸、平头 | 8mm |
| 孔深 | 15mm |
| 内部螺纹尺寸 | 10mm |

认证

| | |
|----------|---------|
| 合规性 / 认证 | EN61340 |
|----------|---------|



| RS Article | Description | Material | Plating | H | D | P1 | P2 | P3 | L | | | | | |
|------------|---------------------------------------|----------|---------|----|----|----|-------|--------|----|----|---|---|-----|----|
| 8066714 | Brass Hex Threaded Spacer M4x10mm M/F | Brass | Nickel | 7 | M4 | 8 | 7 | 8.5 | 10 | | | | | |
| 8066718 | Brass Hex Threaded Spacer M4x12mm M/F | | | | | | 8 | 10 | 12 | | | | | |
| 8066727 | Brass Hex Threaded Spacer M4x15mm M/F | | | | | | 10 | 13 | 15 | | | | | |
| 8066720 | Brass Hex Threaded Spacer M4x20mm M/F | | | | | | 10 | 15 | 20 | | | | | |
| 8066724 | Brass Hex Threaded Spacer M4x25mm M/F | | | | | | 10 | 15 | 25 | | | | | |
| 8066733 | Brass Hex Threaded Spacer M4x30mm M/F | | | | | | 10 | 15 | 30 | | | | | |
| 8066736 | Brass Hex Threaded Spacer M4x35mm M/F | | | | | | 10 | 15 | 35 | | | | | |
| 8066730 | Brass Hex Threaded Spacer M4x40mm M/F | | | | | | 10 | 15 | 40 | | | | | |
| 8066749 | Brass Hex Threaded Spacer M4x45mm M/F | | | | | | 10 | 15 | 45 | | | | | |
| 8066742 | Brass Hex Threaded Spacer M4x50mm M/F | | | | | | 10 | 15 | 50 | | | | | |
| <hr/> | | | | | | | | | | | | | | |
| 8066632 | Brass Hex. Threaded Spacer M5x10mm | | | | | | Brass | Nickel | 8 | M5 | 8 | 7 | 8.5 | 10 |
| 8066635 | Brass Hex. Threaded Spacer M5x15mm | 10 | 13 | 15 | | | | | | | | | | |
| 8066639 | Brass Hex. Threaded Spacer M5x20mm | 10 | 15 | 20 | | | | | | | | | | |
| 8066648 | Brass Hex. Threaded Spacer M5x25mm | 10 | 15 | 25 | | | | | | | | | | |
| 8066641 | Brass Hex. Threaded Spacer M5x30mm | 10 | 15 | 30 | | | | | | | | | | |
| 8066645 | Brass Hex. Threaded Spacer M5x35mm | 10 | 15 | 35 | | | | | | | | | | |
| 8066654 | Brass Hex. Threaded Spacer M5x40mm | 10 | 15 | 40 | | | | | | | | | | |
| 8066657 | Brass Hex. Threaded Spacer M5x45mm | 10 | 15 | 45 | | | | | | | | | | |
| 8066651 | Brass Hex. Threaded Spacer M5x50mm | 10 | 15 | 50 | | | | | | | | | | |
| 8066660 | Brass Hex. Threaded Spacer M5x60mm | 10 | 15 | 60 | | | | | | | | | | |

| RS Article | Description | Material | Plating | H | D | P1 | P2 | P3 | L | |
|------------------|---|----------|---------|----|----|----|----|-----|----|----|
| 8066663 | Steel Hex. Threaded Spacer M6x15mm | Steel | Nickel | 10 | M6 | 10 | 10 | 12 | 15 | |
| 8066667 | Steel Hex. Threaded Spacer M6x20mm | | | | | | 10 | 12 | 20 | |
| 8066676 | Steel Hex. Threaded Spacer M6x25mm | | | | | | 10 | 15 | 25 | |
| 8066679 | Steel Hex. Threaded Spacer M6x30mm | | | | | | 10 | 15 | 30 | |
| 8066673 | Steel Hex. Threaded Spacer M6x35mm | | | | | | 10 | 15 | 35 | |
| 8066682 | Steel Hex. Threaded Spacer M6x40mm | | | | | | 10 | 15 | 40 | |
| 8066685 | Steel Hex. Threaded Spacer M6x45mm | | | | | | 10 | 15 | 45 | |
| 8066689 | Steel Hex. Threaded Spacer M6x50mm | | | | | | 10 | 15 | 50 | |
| 8066698 | Steel Hex. Threaded Spacer M6x55mm | | | | | | 10 | 15 | 55 | |
| 8066691 | Steel Hex. Threaded Spacer M6x60mm | | | | | | 10 | 15 | 60 | |
| Separator | | | | | | | | | | |
| 8066607 | Threaded spacer, mild steel,M3x5mm,M/F | Steel | Zinc | 5 | M3 | 8 | 3 | 4.3 | 5 | |
| 8066588 | Threaded spacer, mild steel,M3x10mm,M/F | | | | | | 6 | 8.5 | 10 | |
| 8066572 | Threaded spacer, mild steel,M3x15mm,M/F | | | | | | 8 | 13 | 15 | |
| 8066613 | Threaded spacer, mild steel,M3x20mm,M/F | | | | | | 8 | 15 | 20 | |
| 8066629 | Threaded spacer, mild steel,M3x25mm,M/F | | | | | | 10 | 10 | 15 | 25 |
| 8066617 | Threaded spacer, mild steel,M3x30mm,M/F | | | | | | 10 | 10 | 15 | 30 |
| Separator | | | | | | | | | | |
| 8066578 | Threaded spacer, mild steel,M4x10mm,M/F | Steel | Zinc | 7 | M4 | 8 | 6 | 8.5 | 10 | |
| 8066562 | Threaded spacer, mild steel,M4x15mm,M/F | | | | | | 8 | 13 | 15 | |
| 8066575 | Threaded spacer, mild steel,M4x20mm,M/F | | | | | | 8 | 15 | 20 | |
| 8066604 | Threaded spacer, mild steel,M4x25mm,M/F | | | | | | 10 | 10 | 15 | 25 |
| 8066590 | Threaded spacer, mild steel,M4x30mm,M/F | | | | | | 10 | 10 | 15 | 30 |

| RS Article | Description | Material | Plating | H | D | Hole(A/B) | | L |
|------------------|--|----------|---------|---|----|-----------|----|----|
| 8066695 | Brass Hex Threaded Spacer M4x30mm Female | Brass | Nickel | 7 | M4 | 10 | 10 | 30 |
| 8066705 | Brass Hex Threaded Spacer M4x35mm Female | | | | | 10 | 10 | 35 |
| 8066708 | Brass Hex Threaded Spacer M4x40mm Female | | | | | 10 | 10 | 40 |
| 8066702 | Brass Hex Threaded Spacer M4x45mm Female | | | | | 10 | 10 | 45 |
| 8066711 | Brass Hex Threaded Spacer M4x50mm Female | | | | | 10 | 10 | 50 |
| Separator | | | | | | | | |
| 8066601 | Threaded spacer, mild steel,M3x5mm,F/F | Steel | Zinc | 5 | M3 | 5 | | 5 |
| 8066597 | Threaded spacer, mild steel,M3x10mm,F/F | | | | | 10 | | 10 |
| 8066584 | Threaded spacer, mild steel,M3x15mm,F/F | | | | | 10 | 10 | 15 |
| 8066581 | Threaded spacer, mild steel,M3x20mm,F/F | | | | | 10 | 10 | 20 |
| 8066623 | Threaded spacer, mild steel,M3x25mm,F/F | | | | | 10 | 10 | 25 |
| 8066610 | Threaded spacer, mild steel,M3x30mm,F/F | | | | | 10 | 10 | 30 |
| Separator | | | | | | | | |
| 8066566 | Threaded spacer, mild steel,M4x10mm,F/F | Steel | Zinc | 7 | M4 | 10 | | 10 |
| 8066550 | Threaded spacer, mild steel,M4x15mm,F/F | | | | | 10 | 10 | 15 |
| 8066569 | Threaded spacer, mild steel,M4x20mm,F/F | | | | | 10 | 10 | 20 |
| 8066594 | Threaded spacer, mild steel,M4x25mm,F/F | | | | | 10 | 10 | 25 |
| 8066626 | Threaded spacer, mild steel,M4x30mm,F/F | | | | | 10 | 10 | 30 |