

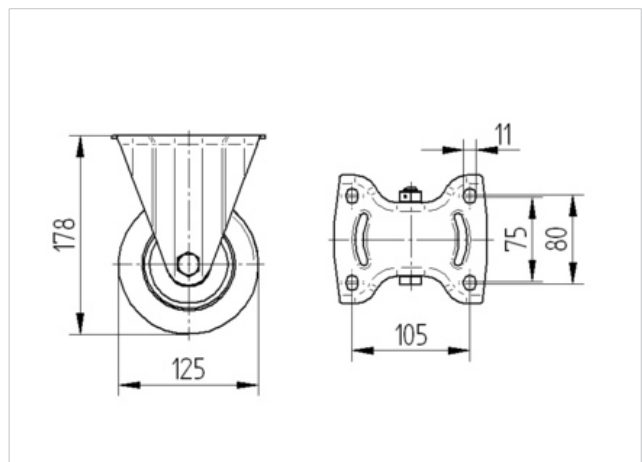
3648ITP125P63 Flat

EAN 4031582337389

Fixed castor, Fork made of heavy pressed steel, bright zinc plated, blue passivated, wheel axle with nut, plate fitting.

Wheel centre made of Aluminium, Tread: Polyurethane, casted, precision ball bearing

Technical Data	
Wheel diameter	125 mm
Width of Tread	50 mm
Size of Plate	137 x 115 mm
Plate hole centres	105 x 80/75 mm
Plate hole	11 mm
Overall height	178 mm
Temperature	- 20 / + 60 °C
Standard	EN 12532
Weight	1.723 kg
Hardness of tread	A 92 Shore
Load capacity	500 kg
Load capacity (static)	1000 kg



Roll performance	+	+	+	+	+
Movement noise	+	+	+	+	+
Attrition	+	+	+	+	+
Corrosion resistance	+	+	+	+	+



3648ITP125P63 Flat

EAN 4031582337389

