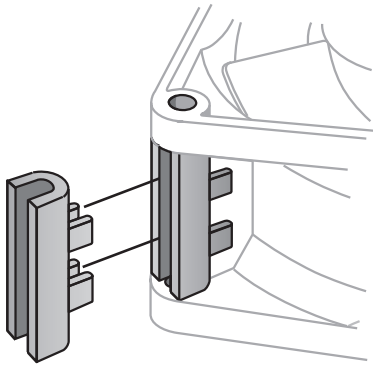


Accessories

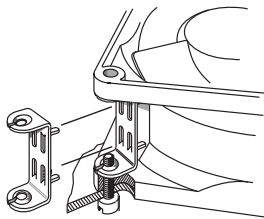
In addition to the accessories and installation parts listed here, ebm-papst also supplies a number of additional, sometimes very special parts for fans. Our company sales team is happy to offer you their expert assistance with all your questions regarding the installation and use of our fans.



Fan series	Type	Order number
4300 N	LZ212	9920212000
3400 N, 4400 F, 8400 N, 8450	LZ261	9920261000
4000, 5100, 5200, 5600, 5900, 7100, 7200, 9000	LZ210	9920210000
6200, 6300, 6300 N, 6400, 7100, 7200	LZ215	9920215000
For all temperature-controlled fans	LZ370	4871104201
For all fans with mounting holes of 4.3 mm	LZ550	6030020000
	LZ551	6030053002

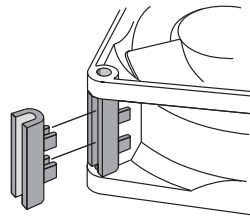
Subject to change

LZ212



Screw clip of rustproof spring steel.
For mounting fans with threaded pin
3.5 DIN EN ISO 1478 (7970).

LZ261



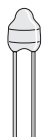
Spacer of fiberglass-reinforced plastic.
For mounting with screws through both fan
mounting flanges.

LZ210



Screw clip of hardened steel.
For mounting fans with threaded pin 6-32 UNC
or 3.5 DIN 7970.

LZ370

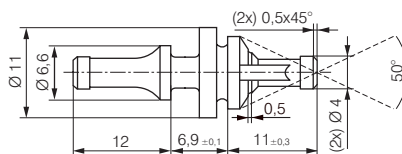


Required performance data:

R_{25} = 100 K Ω \pm 5% @25°C
B-value = 4190 \pm 2%
 P_{max} = 0,25 W

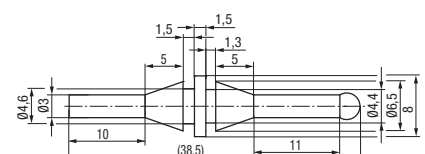
Temperature sensor for speed-controlled fan
operation. Temperature range 30...50 °C.

LZ550



Rubber anti-vibration mounts
for fans with a hole diameter of 4.3 \pm 0.2 mm
and flange thickness of 3 to 5.5 mm.
For a carrier plate with a hole diameter of
6.5 \pm 0.15 mm and plate thickness of 1 to 2 mm.

LZ551



Rubber anti-vibration mounts
for fans with a hole diameter of 4.3 \pm 0.2 mm
and flange thickness of 2 to 4 mm.
For a carrier plate with a hole diameter of
4.4 \pm 0.15 mm and plate thickness of 1 to 2 mm.