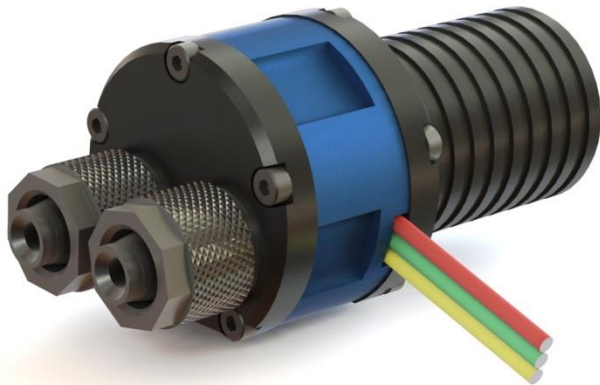


Product Datasheet

RS MG1000 Micro Pump



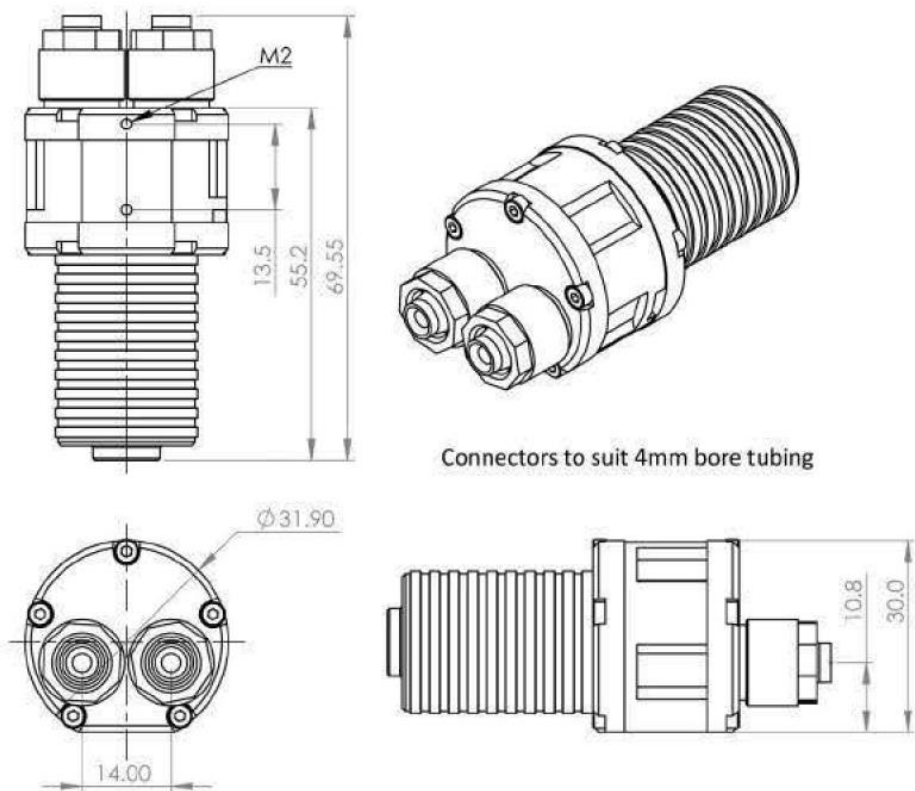
The MG1000 series of pumps deliver consistent flow with high or low pressure. It is suitable for low or high viscosity liquids and is self-priming. The body is constructed from precision CNC machined aluminium alloy and wetted parts are stainless steel, PEEK and polyacetal. The MG1000 range can be used with all common liquids and also resists most chemicals and solvents. The pump has two tubing connector options; stainless steel threaded tubing connectors for quick and easy connection to tubing, or for directly mounting to your manifold. Flow is reversible.

Standard features:

- High pressure capability
- Self priming
- High and low viscosity fluids
- Smooth almost pulseless flow
- Reversible Flow
- CNC aluminium alloy construction
- Small size only 55 x 35 x 35 mm
- Weight 110g
- Operating Temp -20 to 100 deg C
- IP Rating IP67
- Noise Levels 15dB

Typical Applications

- Medical devices
- Fuel cells
- High pressure fuel pump
- Cooling systems
- Precision flow
- Lubrication systems

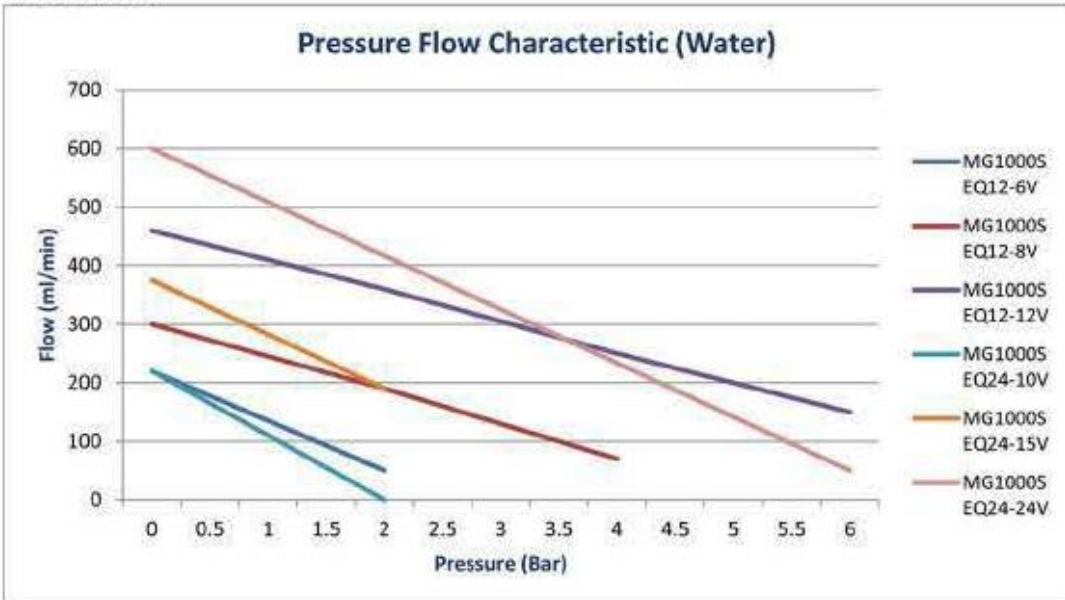


Connectors to suit 4mm bore tubing

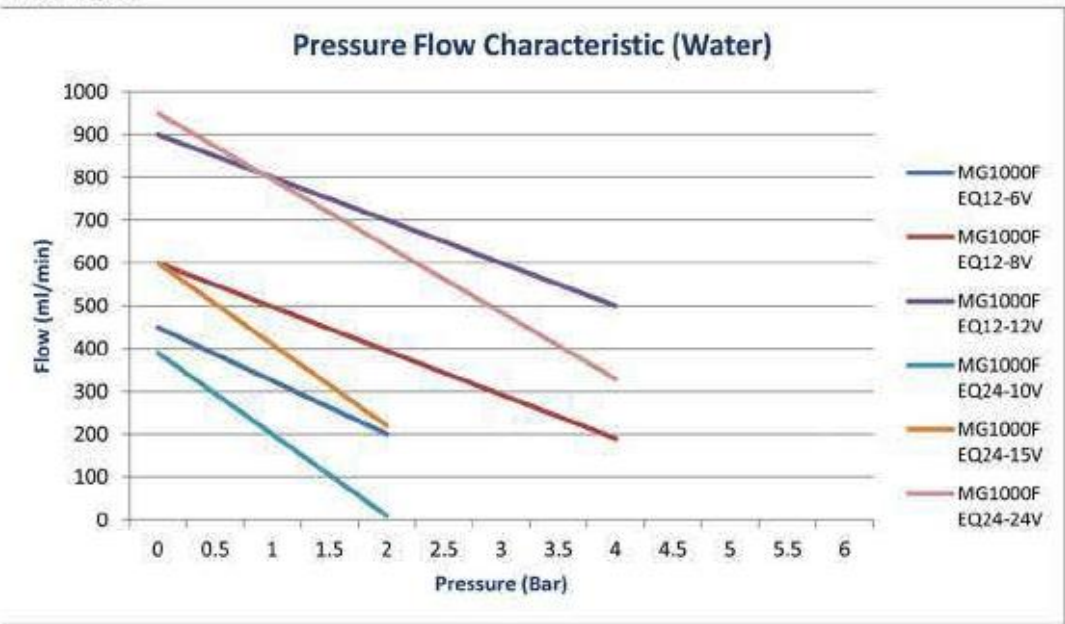
RS	MPN	Pump	Controller	Input (V)	Power (W)	Flow (ml/min)	Pressure (Bar)	
8170722	MG1000S-PK	MG1000S	EQ12	6	3.6	220	2.0	
8170747	MG1000S-PK-12			8	7.8	300	4.0	
8170740	MG1000S-PK-24			10	13.7	390	6.0	
				12	17.3	460	6.0	
			EQ24	10	3.8	220	2.0	
				15	7.5	375	2.0	
				20	14.2	500	4.0	
				24	21.2	600	6.0	
8170731	MG1000F-PK	MG1000F	EQ12	6	8	450	2.0	
8170753	MG1000F-PK-24			8	16.6	600	4.0	
8170744	MG1000F-PK-12			10	27.6	760	6.0	
				12	33.2	900	6.0	
			EQ24	10	6.3	390	2.0	
				15	10.4	600	2.0	
				20	20.8	800	4.0	
				24	33.6	950	6.0	

Stock Numbers 8170722 and 8170731 require a separate motor controller to operate. Other Stock numbers come with a controller fitted as indicated by the table above.

MG1000S



MG1000F



Pressure shown is the not to exceed value. All MG1000 pump variants are capable of more than the indicated figure but exceeding this may result in damage to the pump.