



Datasheet

RS PRO Fast Foot 0.8 to 1.8mm thick

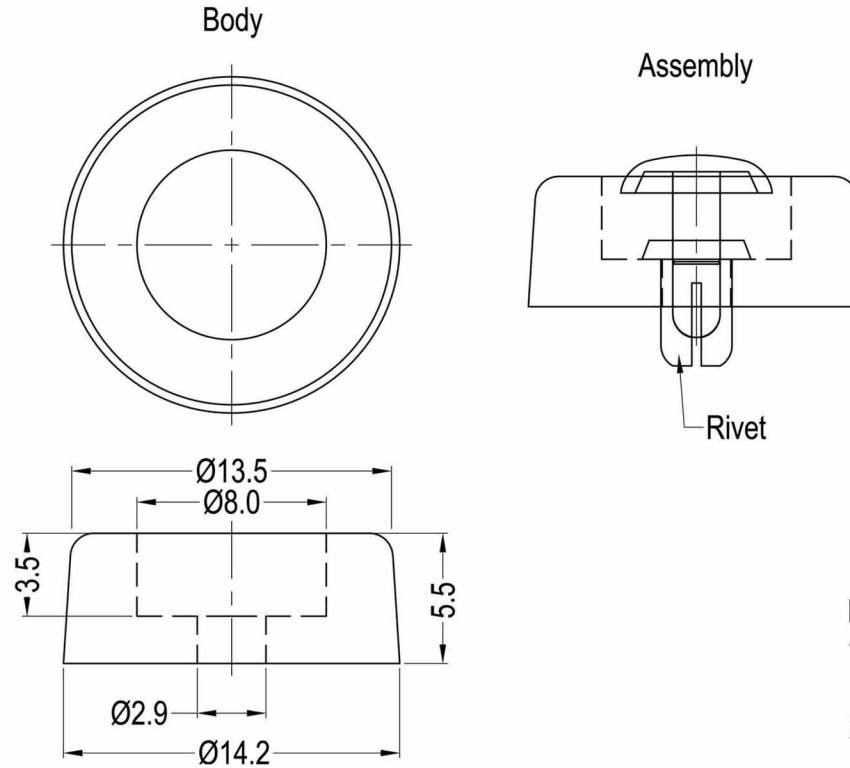
Stock number: 172-0870

EN



DIMENSIONS	TOLERANCE
<4mm	±0.15
4mm~15mm	±0.20
15mm~30mm	±0.30
30mm~50mm	±0.50
50mm~100mm	±1.00

REVISIONS			
REV	DESCRIPTION	DATE	BY
01	NEW DRAWING	2016-7-16	Jack Xu



NOTES:

- MATERIAL: TPV UL94 HB(Body)
PA6 UL94 V2(Rivet)
- Hole: Ø3.1~3.2mm
Panel Thickness: 0.8~1.8mm
Mounting Rivet R3055B

Unit:mm

SCALE	2:1	PART NAME	Soft Fast Foot
COLOR	BLACK	PART NO.	172-0870
DRAWN	ALEX	MATERIAL	SEE NOTES
CHECK	JACK	DRAWING NO.	KS180701-7
APPROVED	FRED	DRAWING DATE	2016-7-16