

- 1
- 2
- 3
- 4
- 5
- 6
- 7
- 8
- 9
- 10
- 11
- 12
- 13
- 14
- 15
- 16
- 17
- 18
- 19

MATERIAL

Glass-fibre reinforced polyamide based (PA) technopolymer, RAL 5001 blue colour, matte finish.

Produced from FDA compliant raw material (FDA CFR.21 and EU 10/2011).

The special technopolymer contains additives detectable by means of metal detectors.

STANDARD EXECUTIONS

- **VTT-SST-MD**: AISI 304 stainless steel boss, threaded blind hole.
- **VTT-SST-p-MD**: AISI 304 stainless steel threaded stud, chamfered flat end according to UNI 947 : ISO 4753 (see Technical data on page A-11).

FEATURES AND APPLICATIONS

The RAL 5001 blue colour is easily visible in case of accidental food contamination. Furthermore the material additives are metal detectable at a cubic particle size of 5mm per side.

In order to improve the detection, the metal detector calibration must take into account the food/substance type at risk of contamination considering the moisture contained in it.

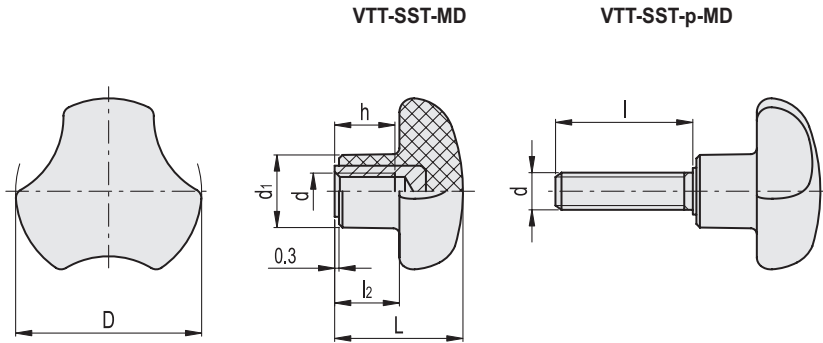
Particularly suitable for applications in the food and pharmaceutical industries.

The three-lobe shape with large recesses ensures an effective grip even with work gloves.

The design without rear cavities, generally adopted for reducing thickness, prevents unhealthy residues from depositing, ensuring easy cleaning. Particularly suitable for applications on machines and equipment whose parts must be frequently cleaned by using water jets or steam.



ELESA Original design



VTT-SST-MD



Code	Description	D	d6H	L	d1	l2	h	⚖
195226	VTT.32-SST-M6-MD	32	M6	23	14	11.5	10	14
195346	VTT.40-SST-M8-MD	40	M8	27	16	13.5	13	24
195476	VTT.50-SST-M10-MD	50	M10	30	19	15	17	43
195512	VTT.60-SST-M12-MD	60	M12	34	22.5	18	20	61

VTT-SST-p-MD



Code	Description	D	d6g	L	d1	l	l2	⚖
195262	VTT.32-SST-p-M6x16-MD	32	M6	23	14	16	11.5	16
195263	VTT.32-SST-p-M6x20-MD	32	M6	23	14	20	11.5	17
195381	VTT.40-SST-p-M8x20-MD	40	M8	27	16	20	13.5	30
195383	VTT.40-SST-p-M8x30-MD	40	M8	27	16	30	13.5	33
195493	VTT.50-SST-p-M10x30-MD	50	M10	30	19	30	15	63
195495	VTT.50-SST-p-M10x40-MD	50	M10	30	19	40	15	63
195583	VTT.60-SST-p-M12x30-MD	60	M12	34	22.5	30	18	83
195587	VTT.60-SST-P-M12x50-MD	60	M12	34	22.5	50	18	97

Clamping elements