



Part Change Notification

This document is to inform internal and external stakeholders about a change in the below listed parts.

In case of questions regarding those parts please do not hesitate to contact:

info@rnd-electronics.com

Brief description of change(s) proposed

The switch base and shell case will be modified so the two parts can be fixed more securely once assembled.

Due to design change for switch base, different type of LED will be used and the consumption of LED will be better than current design.

Current parts will still be used until all stock is consumed, there will be no further notice to address transition date of old and new parts.

Benefits as a result of the proposed change(s)

1. Switch is more robust.
2. Energy saving by using lower current consumption LED.
3. Switch base and shell case are locked tightly to prevent from falling apart.

Side-effects as a result of the proposed change(s)

The design will not impact the electrical or mechanical performance of the switch. Customer can direct use the product in their application without any needs to modify end product specification.

Specification(s) this proposed change is against:

Please refer to attachment A for details.

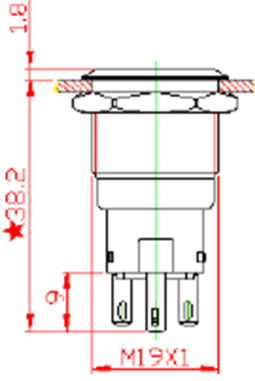
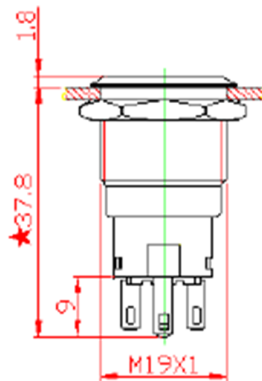
Part Change Notification

Attachment A

Page 2

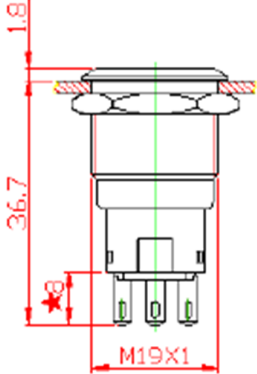
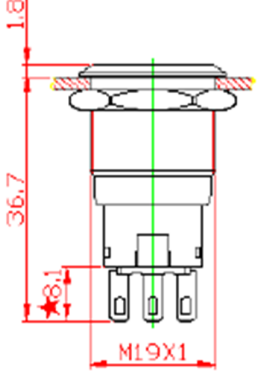
	CURRENT TYPE			NEW TYPE					
LED Consumption		R, G, B, O	W, Y		R, G, B, O, Y	W			
	24V	6mA	5mA	24V	6mA	5mA			
		R, Y, O	B, W, G	R, G		B, Y, O, W			
	12V	12mA	11mA	12V	6mA	5mA	11mA		
		R	B, W, G	Y, O		R, G, Y	B	W	O
	6V	15mA	12mA	14mA	6V	8mA	7mA	12mA	9mA

Only following models will result differences (noted in *) in physical dimensions.

Models	CURRENT TYPE	NEW TYPE
RND 210-00399 RND 210-00400 RND 210-00401 RND 210-00407 RND 210-00408 RND 210-00409 RND 210-00426 RND 210-00427 RND 210-00555 RND 210-00557 RND 210-00803 RND 210-00804 RND 210-00805 RND 210-00806 RND 210-00807 RND 210-00808 RND 210-00816 RND 210-00817 RND 210-00818 RND 210-00820 RND 210-00821 RND 210-00822		

Part Change Notification

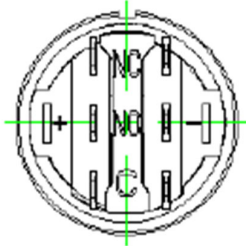
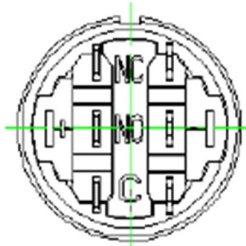
Only following models will result differences (noted in *) in physical dimensions.

Models	CURRENT TYPE	NEW TYPE
RND 210-00421		

Part Change Notification

Bottom View

Page 4

	CURRENT TYPE	NEW TYPE
CAD Drawing		
Actual Product	