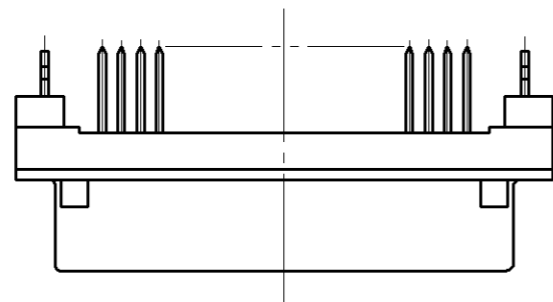
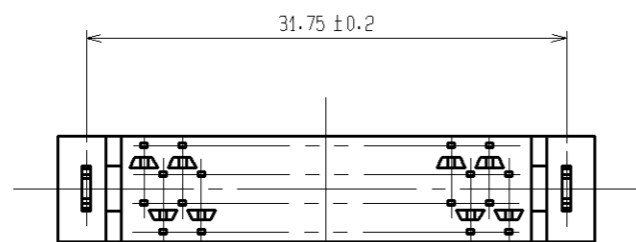
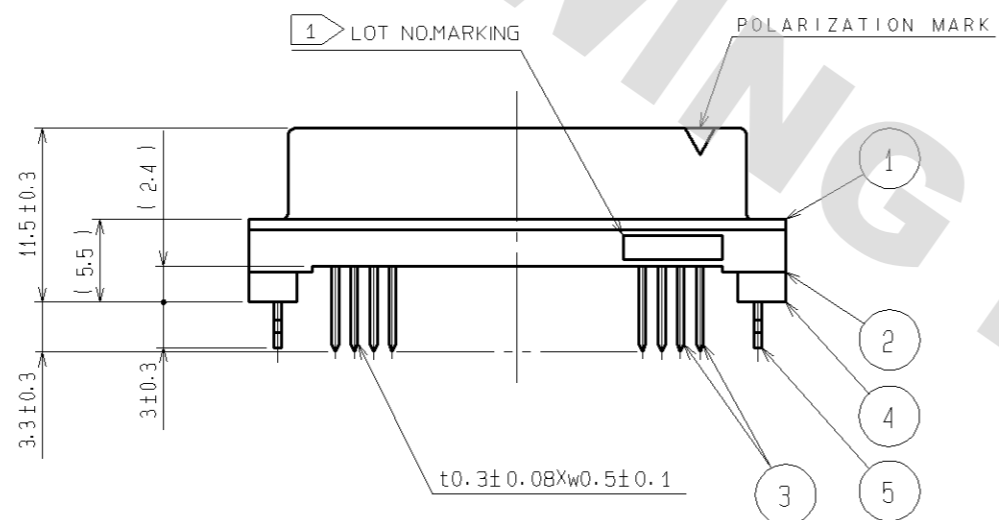
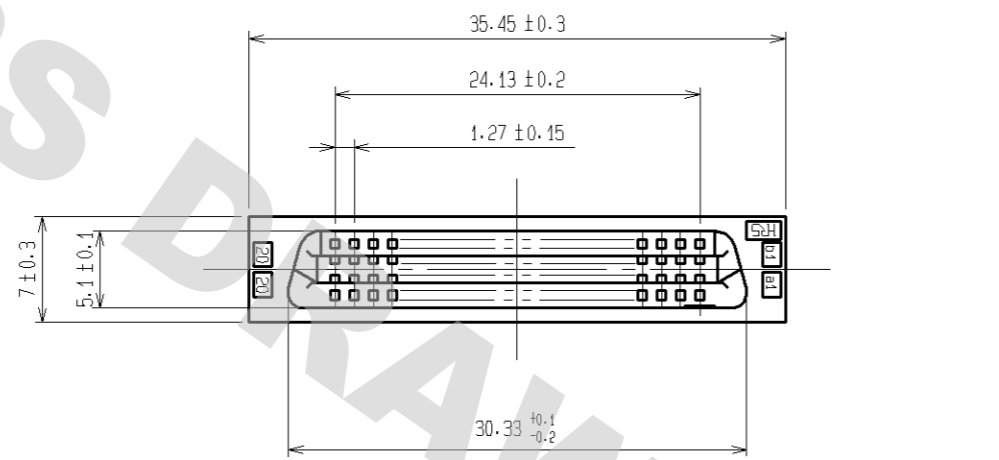
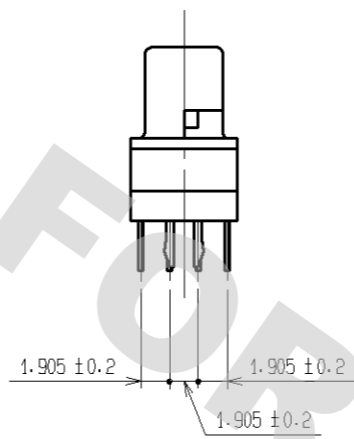
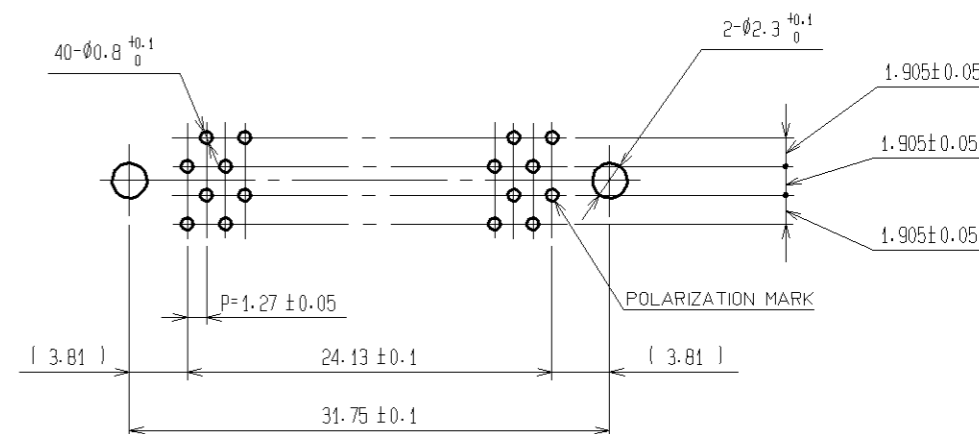


DRAWING FOR REFERENCE: This is subject to change without notice
08/11/2012



RECOMMENDED PC BOARD HOLE PATTERN
(MOUNTING SIDE) t=1.6



NOTE 1 LOT NO. MARKING SIDE SHALL BE OPTIONAL.
2 THE DIMENSIONS IN PARENTHESES ARE FOR REFERENCE.

5	PHOSPHOR BRONZE	TIN-PLATING	3	PHOSPHOR BRONZE	CONTACT AREA: GOLD 0.2 μm min.			
1.2.4	POLYAMIDE	BLACK UL94V-0			DIP AREA: TIN-PLATING 2 μm min.			
					UNDER PLATING: NICKLE 2 μm min.			
NO.	MATERIAL	FINISH. REMARKS	NO.	MATERIAL	FINISH. REMARKS			
UNITS	⊙	SCALE	△	COUNT	DESCRIPTION OF REVISIONS	DESIGNED	CHECKED	DATE
mm		2 : 1						
HRS HIROSE ELECTRIC CO., LTD.		APPROVED : HS.OKAWA	06.09.25	DRAWING NO. EDC3-083269-21				
		CHECKED : HS.OZAWA	06.09.25	PART NO. FX2CA2-40S-1.27DSAL(71)				
		DESIGNED : TK.YANAGISAWA	06.09.25	CODE NO. CL572-2573-2-71				
		DRAWN : TK.YANAGISAWA	06.09.25					