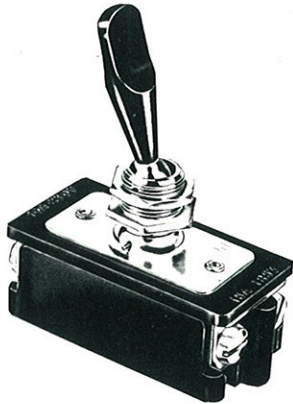


Bonnella Heavy-Duty Appliance Switches

For 6 amps at 250V AC and DC

The Bonnella appliance switch range has been developed for use with inductive circuits and is of extremely robust construction.



These switches are suitable for power tools, industrial purposes and a wide variety of other applications.

A quick make and break action is used which, together with sliding contacts, ensures a high performance and a long life.

6(6)A. 250V AC/DC

Switch with nickel-plated necktube and black mounted plastic paddle dolly, with screwed connections and 2 nickel-plated hex. nuts.

SPST : J16/3JX

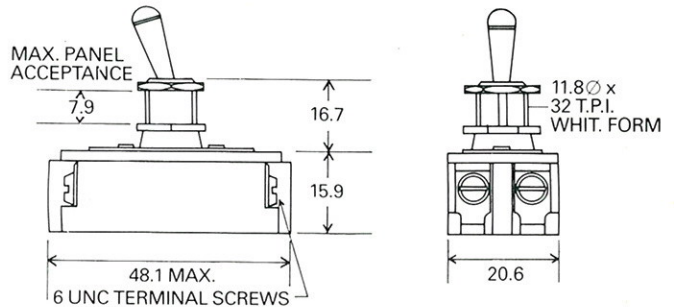
DPST : J26/3JX

As above but with nickel-plated pear dolly:

SPST : J16/3NX

DPST : J26/3NX

Dimensions



Bonnella Switches
Limited

The Moors Tewkesbury Road
Cheltenham Glos GL51 9BP
Tel: 0242 224488 Telex 43459
Fax: 0242 221321

DELTA