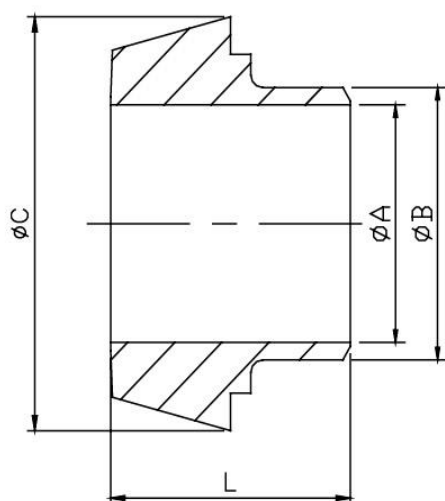




ENGLISH

Datesheet

DIN-14 WELD LINER 11851



| RS Code | SIZE | A | B | C | L |
|----------|------|----|----|----|----|
| 918-6172 | DN15 | 16 | 21 | 28 | 17 |
| 918-6181 | DN20 | 20 | 25 | 36 | 18 |
| 918-6184 | DN25 | 26 | 31 | 44 | 22 |
| 918-6188 | DN32 | 32 | 37 | 50 | 25 |
| 918-6197 | DN40 | 38 | 43 | 56 | 26 |
| 918-6190 | DN50 | 50 | 55 | 68 | 28 |

unit:mm

FEATURES

- Material : SS 304
- Applications : Food, Drinking Water