

Datasheet

Vertical Switched Interlocked Panel Socket-Outlet with DIN Rail with RCD

Stock No:
2144131



Image for reference only

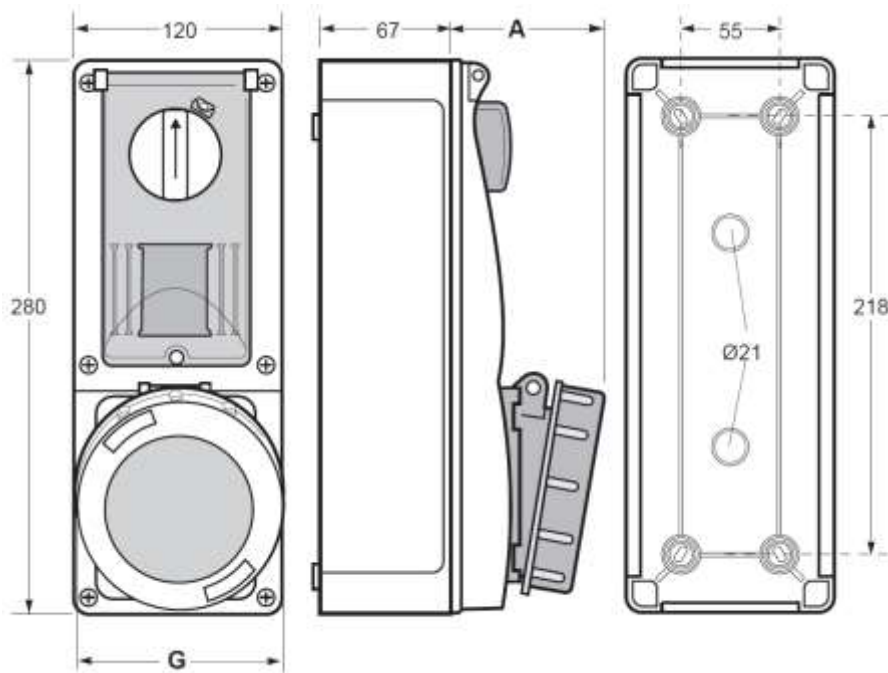
Technical Characteristics

Rated Current:	32
Rated Voltage	230
Poles	3P (2P+T)
Clock Position	6h
Rated Frequency	50/60Hz
Insulating Resistance	>10MΩ@500Vdc
Dielectric Stength	2,5kV 60s
IP Protection Degree	IP67 (IEC / EN 60529)
Operating Temperature	-5°C/ 40°C
Glow Wire Test	850°C live parts supports /650°C other parts
Material	Housing: PA6/ABS
Product Standard	IEC/EN 60309-1, IEC/EN 60309-2 IEC/EN 60309-4
Feature	Built-in RCD 40A 2P 0,03A AC 235394 (EATon)

Datasheet

Vertical Switched Interlocked Panel Socket-Outlet with DIN Rail with RCD

Stock No: 2144131



Dimensions in mm

A	B	C	D	E	F	G	ØK
73,5	92	-	-	-	-	-	-