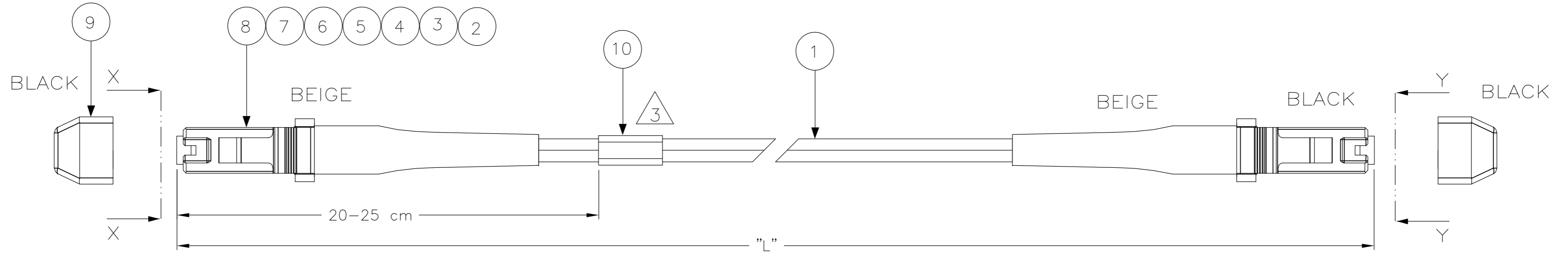
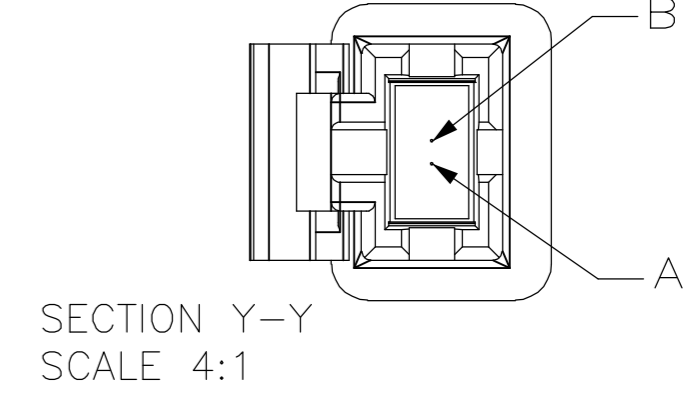
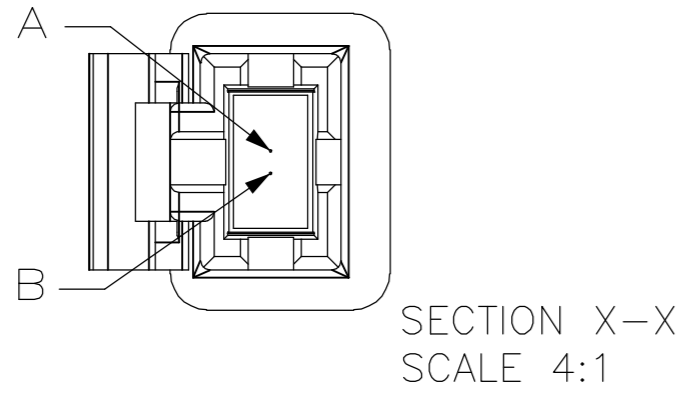


THIS DRAWING IS UNPUBLISHED. RELEASED FOR PUBLICATION
 © COPYRIGHT BY TYCO ELECTRONICS CORPORATION. ALL RIGHTS RESERVED.

LOC	DIST	REVISIONS			
P	LTR	DESCRIPTION	DATE	DWN	APVD
IJ	-	A	INITIAL ISSUE	24 AUG 05	MGR DB

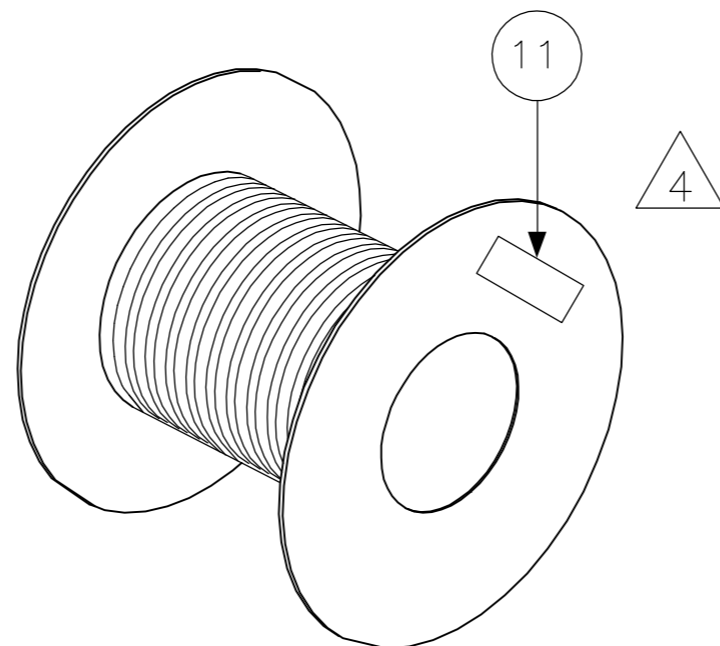


NOTES:

- ATTENUATION ≤ 0.5 dB, MEASURED AT 1300 nm
 ACCORDING IEC 61300-3-4 EQUILIBRIUM MODE CONDITION
- SUPPLY FILLED OUT TEST RESULT SHEET WITH EACH INDIVIDUALLY PACKED ASSEMBLY
- \triangle DAT-85 LABEL INFO:
 - UNIQUE SERIAL NUMBER
 - TYCO LOGO PN
 - MANUFACTURING LOCN.
- \triangle DAT-35 LABEL INFO:
 - BAR CODE
 - PN FACTORY ORDER NUMBER
 - CABLE LENGTH (L)
 - UNIQUE SERIAL NUMBER
- CROSS OVER AS PER BELOW TABLE

FIBRE COLOR	LEFT CONN.	RIGHT CONN.
WHITE	B	A
BLUE	A	B

STANDARD LENGTHS ACCORDING TO CUSTOMER DRAWING 1206850	
PART NUMBER	"L" (Meter)
X-6206613-Y	XY,0
9-6206613-0	0,5
9-6206613-1	1,5
9-6206613-2	2,5
9-6206613-3	3,5
9-6206613-4	4,5
9-6206613-5	5,5
9-6206613-6	6,5
9-6206613-7	7,5
9-6206613-8	8,5
9-6206613-9	100,0
8-6206613-7	150,0
8-6206613-8	250,0
6-6206613-9	\triangle 2000,0 -0/+5 m



Qty	Part Number	Description	Item
1	-	DAT-35 LABEL	11
1	-	FOAC DAT-85 LABEL ON REEL	10
2	-	DUST COVER MT-RJ	9
2	-	MT-RJ HOUSING	8
2	-	MT/RJ FERRULE, THERMOPLAST,MM	7
2	-	PIN KEEPER, 3.8MM	6
2	-	SPRING, MT-RJ, 3.8 DESIGN	5
2	-	MT-RJ, SPRING PLUSH, UNIVERSAL	4
2	-	CRIMP EYELET MT-RJ	3
2	-	MT-RJ BOOT, TWIN ZIP BEIGE	2
L	-	FOCAB 62.5/125 MINI ZIP, GRAY	1

THIS DRAWING IS A CONTROLLED DOCUMENT.

DIMENSIONS: mm	TOLERANCES UNLESS OTHERWISE SPECIFIED:	DWN 24 AUG 05 GIRIYAPPA. M	24 AUG 05 CHK DIWAKAR BELAVADI	24 AUG 05 APVD DIWAKAR BELAVADI	NAME DIWAKAR BELAVADI	Tyco Electronics Corporation FOMM62,5 LEAD 1,8 MTRJ PLUG FEMALE - MTRJ PLUG FEMALE		
MATERIAL	FINISH	PRODUCT SPEC	APPLICATION SPEC	WEIGHT	SIZE	CAGE CODE	DRAWING NO	RESTRICTED TO
-	-	-	-	-	A2	00779	C=6206613	-
CUSTOMER DRAWING				SCALE	NTS	SHEET	1 OF 1	REV
								A