



Material Safety Data Sheet



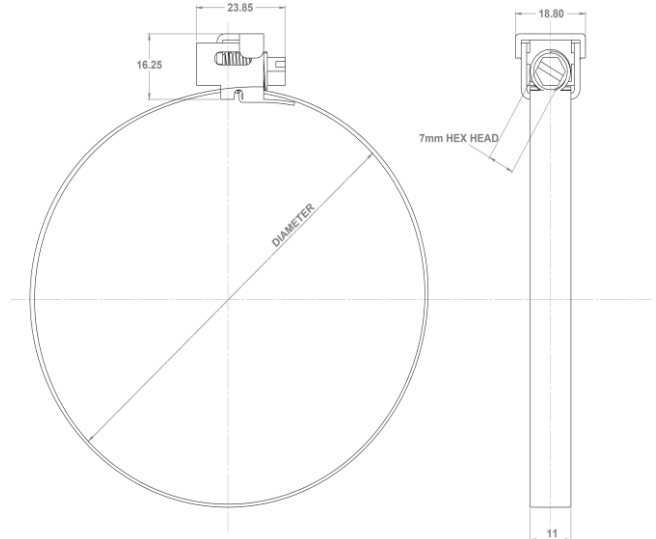
Section 1 Company and Product Identification

L. Robinson & Company (Gillingham) Limited,
 Incorporating Jubilee® Clips Limited
 Owens Way, Gads Hill,
 Gillingham,
 Kent,
 ME7 2RS, UK

Tel: +44 (0)1634 281200
 Fax: +44 (0)1634 280101

[http:// www.jubileeclips.co.uk](http://www.jubileeclips.co.uk)

Jubilee® Quick Release Straps 11mm,
 Stainless Steel (W4) Range



RS Part Number	Jubilee Part Number	Adjustment		Band Width mm	Band Thickness mm	Recommended Torque Nm	Max Torque Nm
		mm	Inches				
1440754	CAS050SS	35 - 50	1½ - 2	11	0.82	3.4	4.5
1440755	CAS075SS	45 - 75	1¾ - 3	11	0.82	3.4	4.5
1440756	CAS100SS	50 - 100	2 - 4	11	0.82	3.4	4.5
1440757	CAS120SS	50 - 120	2 - 5	11	0.82	3.4	4.5
1440758	CAS150SS	50 - 150	2 - 6	11	0.82	3.4	4.5
1440759	CAS175SS	50 - 175	2 - 7	11	0.82	3.4	4.5
1440760	CAS200SS	50 - 200	2 - 8	11	0.82	3.4	4.5
1440761	CAS225SS	50 - 225	2 - 9	11	0.82	3.4	4.5
1440762	CAS250SS	50 - 250	2 - 10	11	0.82	3.4	4.5
1440763	CAS275SS	50 - 275	2 - 11	11	0.82	3.4	4.5
1440764	CAS300SS	50 - 300	2 - 12	11	0.82	3.4	4.5
1440765	CAS330SS	50 - 330	2 - 13	11	0.82	3.4	4.5
1440766	CAS355SS	50 - 355	2 - 14	11	0.82	3.4	4.5
1440767	CAS380SS	50 - 380	2 - 15	11	0.82	3.4	4.5
1440768	CAS405SS	50 - 405	2 - 16	11	0.82	3.4	4.5
1440769	CAS455SS	50 - 455	2 - 18	11	0.82	3.4	4.5
1440770	CAS505SS	50 - 505	2 - 20	11	0.82	3.4	4.5
1440771	CAS555SS	50 - 555	2 - 22	11	0.82	3.4	4.5
1440772	CAS605SS	50 - 605	2 - 24	11	0.82	3.4	4.5
1440773	CAS710SS	50 - 710	2 - 28	11	0.82	3.4	4.5
1440775	CAS810SS	50 - 810	2 - 32	11	0.82	3.4	4.5
1440776	CAS910SS	50 - 910	2 - 36	11	0.82	3.4	4.5
1440777	CAS965SS	50 - 965	2 - 38	11	0.82	3.4	4.5

Section 2 Composition/Information on Ingredients

Composition/Information on constituents of iron alloy.

Manganese	< 11%
Chromium	< 30%
Nickel	< 38%
Mo	< 8 %

Other elements vary such as Si, Cu, Ti, in each alloy composition and are generally not classified as hazardous, or are below the concentration levels for classification of these alloys as hazardous, and are not subject to recognised exposure limits.

Section 3 First Aid Measures

Inhalation:	There are no specific symptoms associated with steel in the product forms.
Skin:	There are no specific symptoms associated with steel in the product forms.
Eyes:	Not applicable.
Ingestion:	Not applicable.

Section 4 Fire Fighting Measures

Non flammable

Section 5 Handling and Storage

Store in a dry area

Section 6 Physical and Chemical Properties

Colour:	Metallic grey/silver
Smell:	None
Form/state:	Solid
Melting point:	1454 °C
Max service temp:	870 °C
Min service temp:	-196 °C
Magnetism:	1.008 μ
Resistance:	72 μΩ
Density:	8.03 g/cm ³

Section 7 Stability and Reactivity

Stability:	Stable in normal condition
Reacts with:	Reacts with strong acids, and hydrogen is then one of the substances emitted. Welding/flame cutting may produce Zinc Oxide fumes.
Corrosion Resistance:	NSS (Neutral Salt Spray tests) 1000hours

Section 8 Toxicological Information

Nickel is classified as a skin sensitizer however numerous patch tests have established that most stainless steels do not cause sensitization, but a few types may result in allergic skin reactions in sensitized individuals after prolonged contact.

No carcinogenic effects resulting from exposure to stainless steels have been reported, either in epidemiological studies or in tests with animals.

Section 9 Ecological Information

No ecological effects are known for the product as a whole.

Section 10 Disposal Considerations

Disposal method: Recyclable, Jubilee® clips' Quick Release Straps 11mm Stainless Steel Range are made from key raw material for the production of new steel. Steel is the world's most recycled construction material and can be recycled with retained material properties.

Section 11 Transport Information

No special requirements are necessary in transporting these products.

Section 12 Regulatory Information

This product conforms to EU Regulation 1097/2006 (REACH)
This product is compliant with EU directive 2011/65/EU (ROHS2)
BS EN ISO 9001:2008 FM00547
BS EN ISO 14001:2004 EMS573195
BS OHSAS 18001:2007 OHS601983

Section 13 Other Information

The information above is believed to be accurate and represents the best information currently available to L. Robinson & Co Ltd. However, L. Robinson & Co Ltd make no warranty of merchantability or any other warranty, expressed or implied, with respect to such information, and we assume no liability resulting from its use. Users should make their own investigations to determine the suitability of the information for their particular purposes. In no event shall L. Robinson & Co Ltd be liable for any claims, losses, or damages of any third party or for lost profits or any special, indirect, incidental, consequential or exemplary damages, howsoever arising, even if L. Robinson & Co Ltd has been advised of the possibility of such damages.

Document Issue Date: 19th July 2017

Revision Number: 1