

## Vandal Resistant Fixed Dome Camera WV-CW334/CW364

**NTSC** WV-CW334S (24 V AC or 12 V DC) **PAL** WV-CW334S (24 V AC or 12 V DC)  
WV-CW364S (24 V AC or 12 V DC) WV-CW364S (24 V AC or 12 V DC)



WV-CW364



WV-CW334



Minimum illumination (Color):  
0.6 lx



Minimum illumination (B/W):  
0.05 lx (WV-CW364)

Automatic switching  
Color/Black&White

IP66  
standard



## Vandal Resistant IP66 Day/Night Fixed Dome Camera with 1/3 type CCD

### Key Features

- High resolution: 540 TV lines
- High sensitivity with True Day/Night function (WV-CW364)
  - : 0.6 lx (Color)
  - : 0.05 lx (B/W)
- High sensitivity with Simple Day/Night function (WV-CW334)
  - : 0.6 lx (Color)
  - : 0.4 lx (B/W)
- ABS (Adaptive Black Stretch) enhances visibility of dark area without degrading image quality in bright area.
- Vandal resistant mechanism for high reliability
- IP66 rated water and dust resistant. Compatible with IEC60529 measurement standard.
- Various adjustment features including BLC (Back Light Compensation), ATW (Auto Tracing White Balance) and ALC (Automatic Light Control)
- 2 White Balance modes are selectable with Dip Switch: ATW (Auto Tracing White Balance) / AWC (Automatic White Balance Control)
- 2.8 ~ 10 mm 3.6x Varifocal Auto Iris lens
- Internal/Multiplexed Vertical Drive (VD2) synchronization
- Monitor output for easier lens adjustment upon installation
- 3-way hinge (horizontal, vertical and swivel rotation) for easy installation

- Various mounting options: Flush mount, Surface mount and Embedded ceiling mount
- Optional heater maintains operating temperature -30 °C ~ +50 °C (-22 °F ~ 122 °F)

### Standard Accessories

- |  |  |
|--|--|
| • Operating Instructions ..... 1 pc.                         | • Fixing Screws for Mounting Base (incl. 1 spare screw) ..... 5 pcs. |
| The following parts are used during installation procedures. |  |
| • Camera Attachment ..... 1 pc.                              | • Bit for Tamperproof Screw ..... 1 pc.                              |
| • Base Cover ..... 1 pc.                                     | • Butyl Tape ..... 1 pc.   |
| • Mounting Base ..... 1 pc.                                  |  |

### Optional Accessories

<p>Heater Unit <b>WV-CW5H</b></p> 	<p>Ceiling Mount Bracket <b>WV-Q169</b></p> 	<p>Smoke Dome Cover <b>WV-CW4S</b></p> 
--	---	--

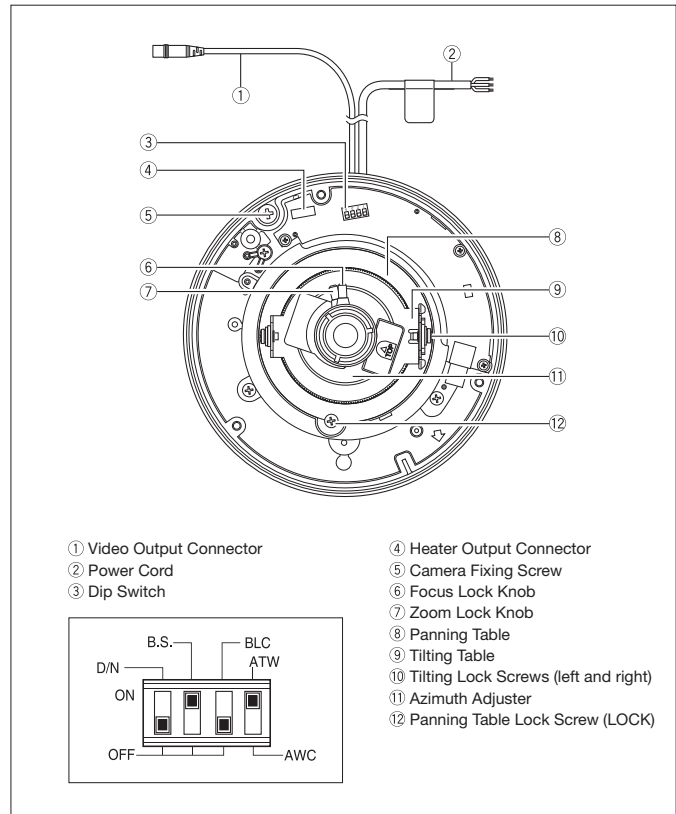
## Specifications

TV System	NTSC	PAL
<b>Camera</b>	1/3 type interline transfer CCD	
Effective Pixels	768 (H) x 494 (V)	752 (H) x 582 (V)
Scanning Mode	2:1 interlace scan	
Scanning Area	4.9 mm (H) x 3.7 mm (V)	
Scanning Frequency	Horizontal: 15.734 kHz Vertical: 59.94 Hz	Horizontal: 15.625 kHz Vertical: 50 Hz
Scanning Line	525 lines	
Horizontal Resolution	540 TV lines (at center)	
Minimum Illumination	WV-CW364S: Color: 0.6 lx, B/W: 0.05 lx, F1.3 Wide WV-CW334S: Color: 0.6 lx, B/W: 0.4 lx, F1.3 Wide	
Signal-to-Noise Ratio	50 dB (equivalent to AGC Off, Weight on)	
White Balance	ATW / AWC	
Back Light Compensation	ON / OFF	
Adaptive Black Stretch	ON / OFF	
Black and White Mode	WV-CW364S: ON (AUTO) / OFF (IR filter moving) WV-CW334S: ON (AUTO) / OFF (No IR filter moving)	
Focus Adjustment	Manual	
Synchronization	Internal (INT), Multiplexed Vertical Drive (VD2)	
<b>Lens</b>	Focal Length 2.8 mm ~ 10.0 mm, 3.6x varifocal	
Angular Field of View	WV-CW364S: H: 100.5° (Wide) ~ 27.39° (Tele) V: 73.51° (Wide) ~ 20.45° (Tele) WV-CW334S: H: 100.18° (Wide) ~ 27.39° (Tele) V: 73.33° (Wide) ~ 20.45° (Tele)	
Maximum Aperture Ratio	1:1.3 (Wide) ~ 1:3.1 (Tele)	
Focusing Range	1.2 m (3.9 ft.) ~ ∞	
<b>Pan and Tilt</b>	Panning Range +180° ~ -140°	
Tilting Range	±75°	
<b>Input/Output</b>	Video Output 1.0 V [p-p] / 75 Ω, NTSC composite, BNC connector	
Monitor Output	1.0 V [p-p] / 75 Ω / NTSC composite signal / PAL composite signal / ø3.5 mm RCA jack	
<b>General</b>	Safety/EMC Standard UL (UL60065), FCC (Part15, ClassA) C-UL (CAN/CSA C22.2 No.60065), DOC (ICES003 ClassA)	
Power Source and Power Consumption	CE (EN60065, EN55022 ClassB, EN55024), GOST (R 51558)	
Ambient Operating Temperature	24 V AC 60 Hz, 2.9 W, 13.1 W *1 12 V DC, 250 mA *2	
Ambient Operating Humidity	-10 °C ~ +50 °C (14°F to 122°F) -30 °C ~ +50 °C (-22°F to 122°F) *1	
Water and Dust Resistance	90 % or less (without condensation)	
Impact Protection	IP66, IEC60529 measuring standard compatible *Applicable only when the installation and waterproof process are done properly.	
Dimensions	IEC 60068-2-75 test Eh, 50J	
Weight (approx.)	ø164 mm x 146 mm (H), 191.5 mm (Base Cover) (ø6-7/16" x 5-3/4" (H) x 7-9/16" (W))(Base Cover) Main Body: 1.05 kg (2.31 lbs), including camera attachment 100 g (0.22 lbs), Mounting Base: 350 g (0.78 lbs), Ceiling Mount Bracket: 700 g (1.55 lbs)	

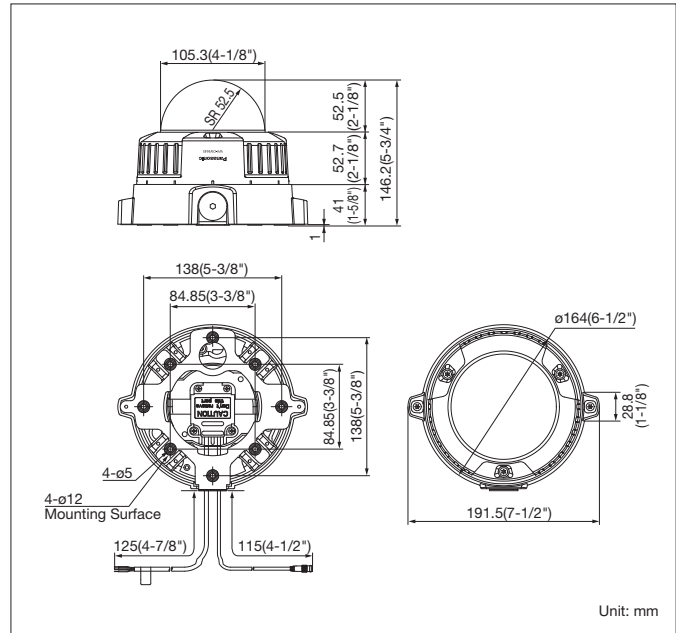
\*1 With optional Heater Unit WV-CW5H

\*2 Optional Heater Unit WV-CW5H cannot be used under 12 V DC operation.

## Part Names and Functions



## Appearance



### Important

– Safety Precaution: carefully read the operating instructions and installation manual before using this product.

## DISTRIBUTED BY:

- All TV pictures are simulated.
- Masses and dimensions are approximate.
- Specifications are subject to change without notice.
- These products may be subject to export control regulations.
- All product pictures are PAL models.

# Panasonic®

<http://panasonic.net/security/>

Printed in Japan (2A-071L)